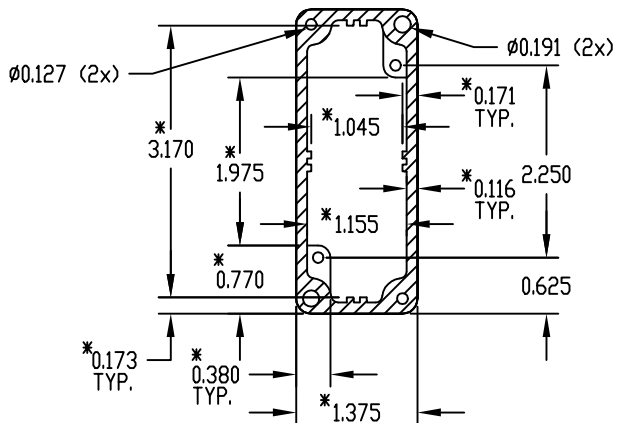
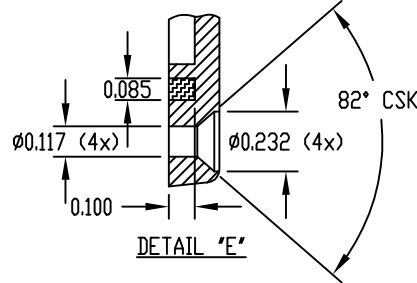
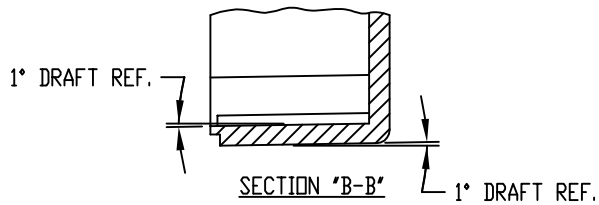


PART NAME	NEMA 4X DIE CAST ALUMINUM ENCLOSURE	PART No.	AN-1300, AN-1300-G, AN-2800 & AN-2800-B	REV. DATE	12-6-07
-----------	-------------------------------------	----------	---	-----------	---------



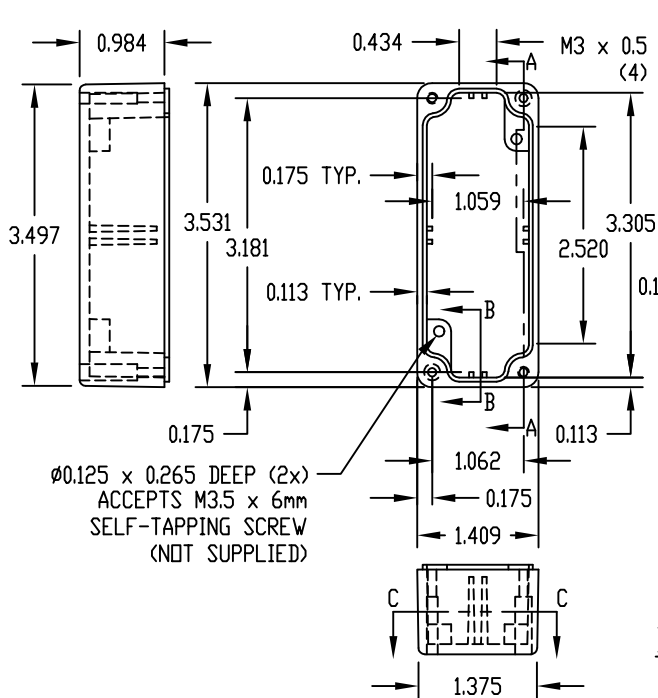
SECTION "C-C"
* DIMENSIONS ARE AT BOTTOM OF ENCLOSURE



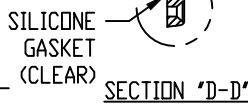
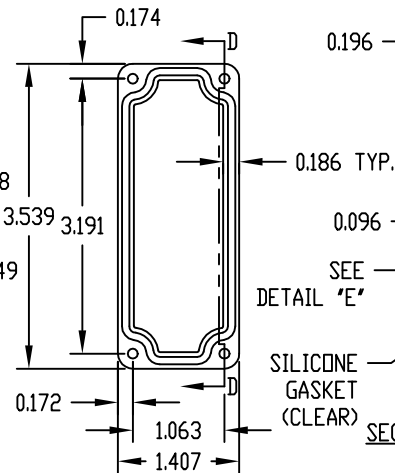
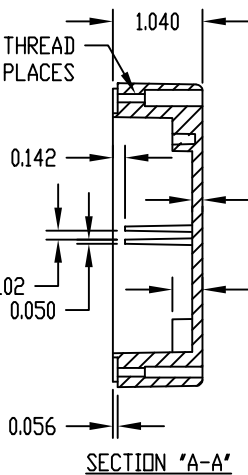
MATERIAL: ALUMINUM ALLOY #ADC-12

FINISH: NATURAL (NO SUFFIX)
GRAY (SUFFIX -G)
SMOOTH BLACK (SUFFIX -B)

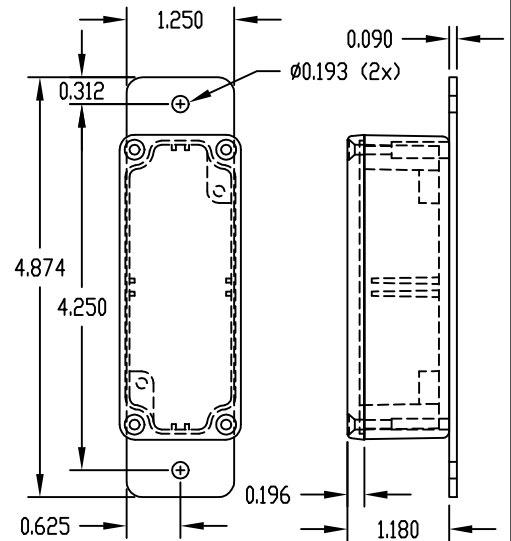
- NOTES:
- 1) FOUR (4) M3 x 10mm (0.393") LG. SCREWS SUPPLIED FOR ASSEMBLY OF COVER TO BODY.
 - 2) ALL HOLE DIAMETERS HAVE ± 0.005 TOLERANCE
ALL OTHER DIMENSIONS HAVE ± 0.015 TOLERANCE



BODY



COVER



PART NO. AN-2800 & AN-2800-B
ARE SUPPLIED WITH A WELDED
ON MOUNTING BRACKET ONLY.