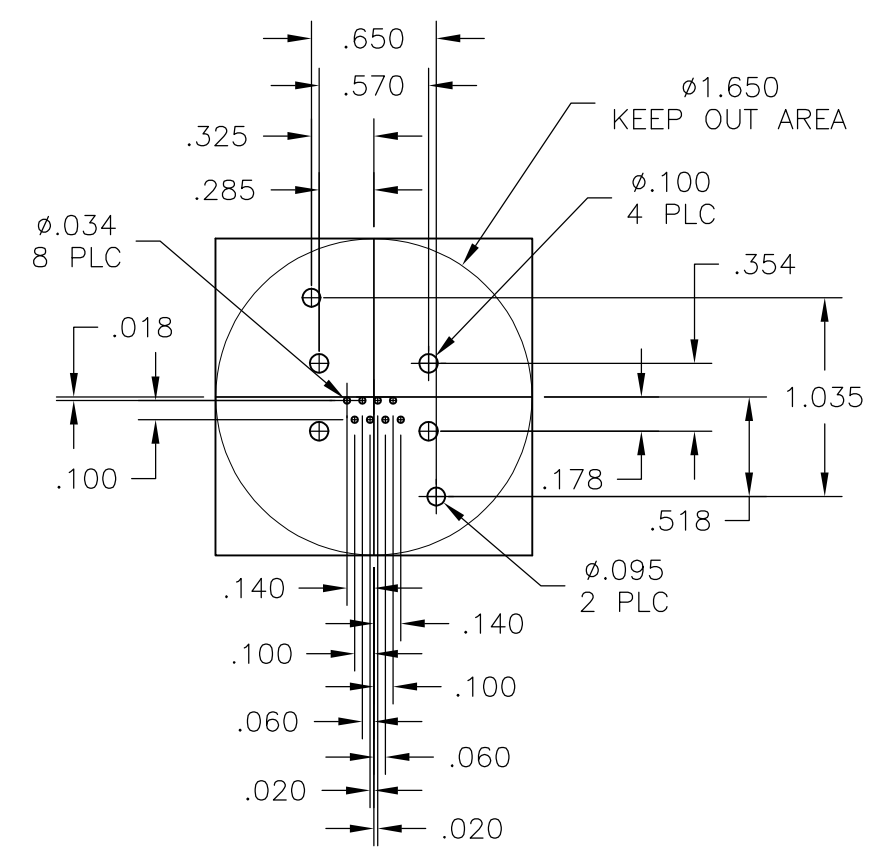
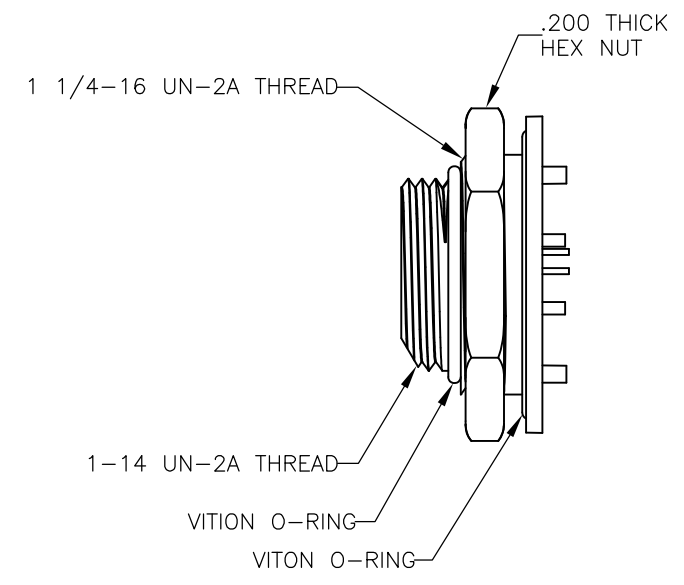
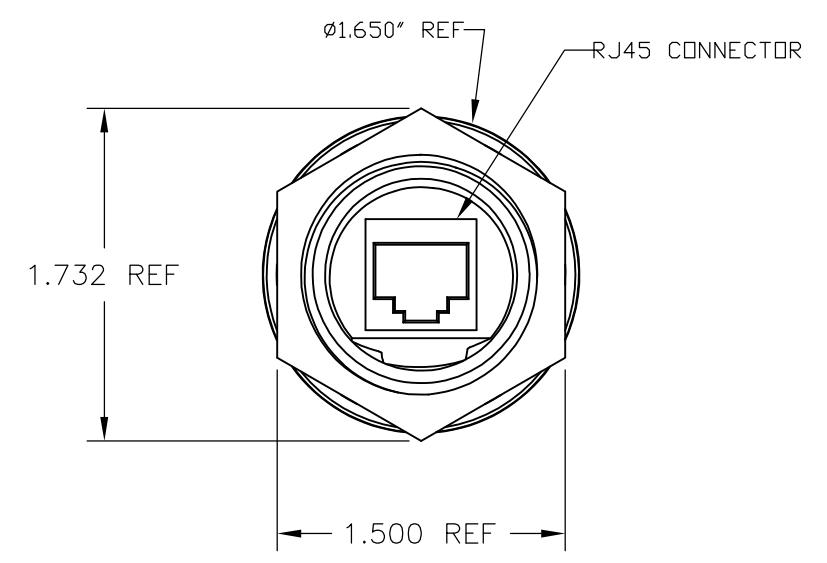
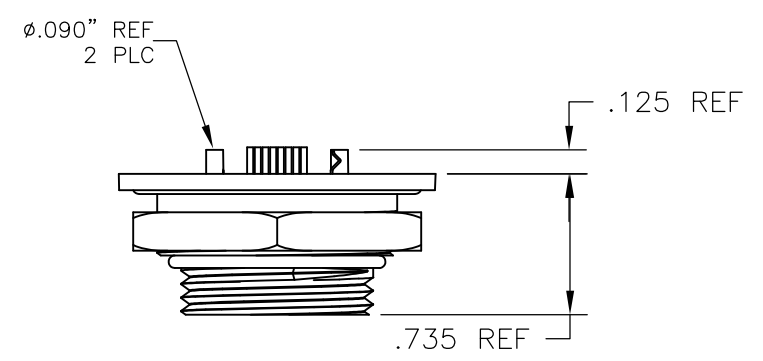


THIS DRAWING IS UNPUBLISHED. RELEASED FOR PUBLICATION  
 © COPYRIGHT - By - ALL RIGHTS RESERVED.

LOC	DIST	REVISIONS			
P	LTR	DESCRIPTION	DATE	DWN	APVD
FT	0	D1	REVISED PER ECO-11-004820	11MAR11	RK HMR



RECOMMENDED PCB LAYOUT

1-1546405-1
SUPERSEDED 1546405-1
PART NO.

THIS DRAWING IS A CONTROLLED DOCUMENT.		DWN S SCHLEGEL 09OCT2002	TE Connectivity		
DIMENSIONS: INCHES		CHK H WAKEEM 10/9/02			
TOLERANCES UNLESS OTHERWISE SPECIFIED:		APVD H WAKEEM 10/9/02	NAME		
0 PLC ± - 1 PLC ± - 2 PLC ± .02 3 PLC ± .005 4 PLC ± - ANGLES ± 2°		PRODUCT SPEC -	DIRECT PCB MOUNT 8 PIN THROUGH HOLE RECEPTACLE, FRONT COUPLING NUT		
MATERIAL -		APPLICATION SPEC -	SIZE A3	CAGE CODE 00779	DRAWING NO C-1546405
FINISH -		WEIGHT -	RESTRICTED TO -		
CUSTOMER DRAWING			SCALE NTS	SHEET 1 OF 1	REV D1