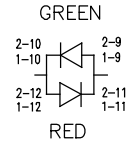
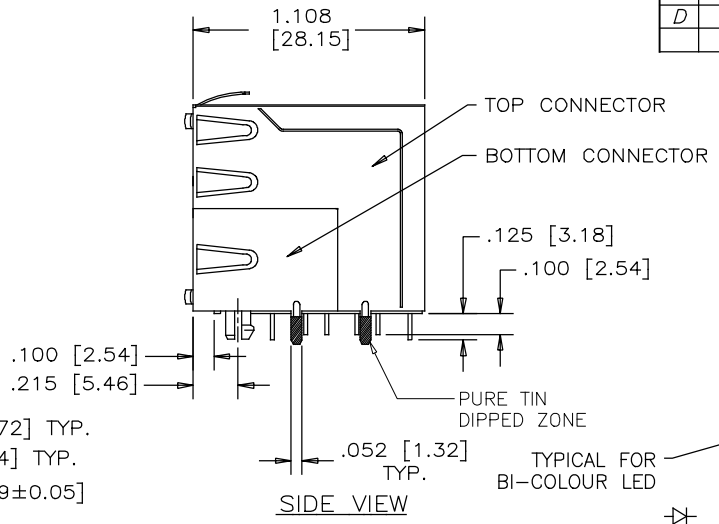
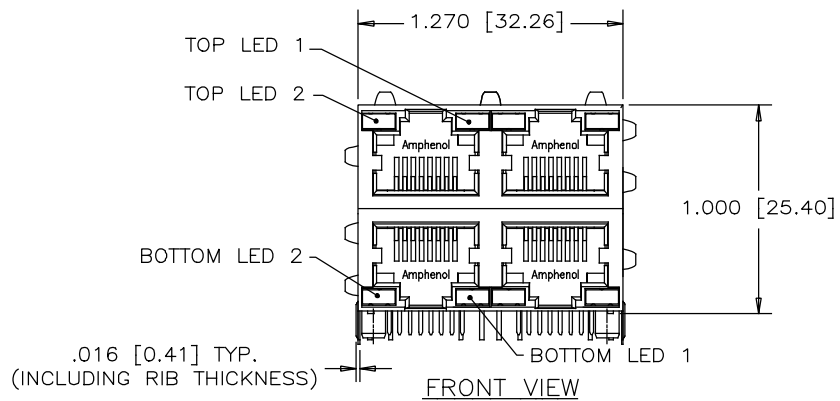


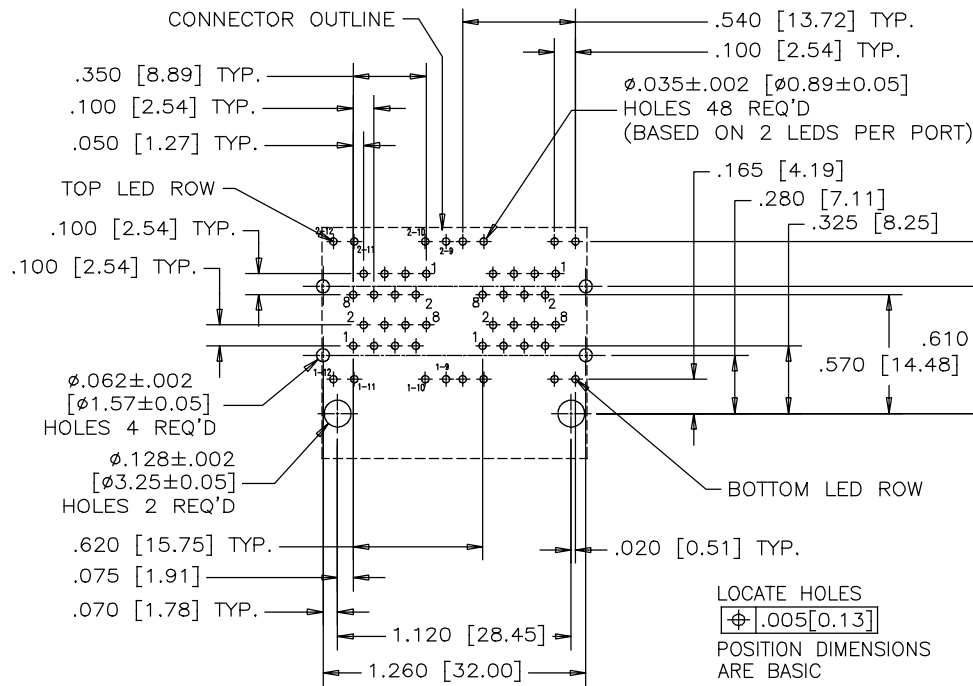
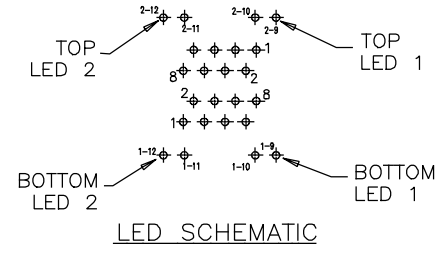
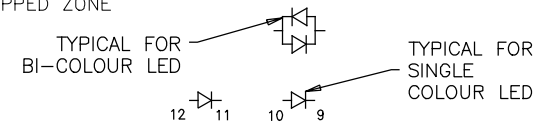
REVISIONS			
REV	DESCRIPTION, ECN, EAR NO.	DATE	APP'D
C	PROPOSAL	NOV 16/06	L.CHAN
D	ADD NEW LED OPTION	FEB 09/17	L.CHAN



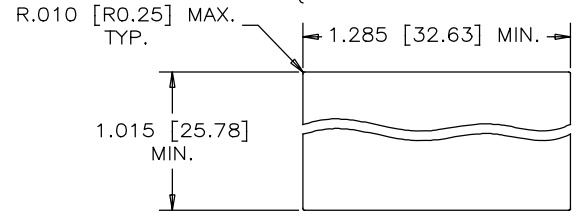
**BI-COLOUR LED DETAIL**  
(GREEN/YELLOW, RED/YELLOW AND GREEN/ORANGE ARE ALSO AVAILABLE)

.016 [0.41] TYP.  
(INCLUDING RIB THICKNESS)

.100 [2.54]  
.215 [5.46]



**RECOMMENDED P.C.B. LAYOUT**  
(COMPONENT SIDE OF BOARD)



**RECOMMENDED PANEL LAYOUT**

LOCATE HOLES  
[Ø.005][0.13]  
POSITION DIMENSIONS  
ARE BASIC

**MATERIALS:**

- HOUSING: HIGH TEMPERATURE THERMOPLASTIC. FLAMMABILITY RATING UL 94V-0
- CONTACTS: PHOSPHOR BRONZE
- PLATING: 50µ" [1.27 MICRONS] MIN. GOLD OVER MATING SURFACES. 50µ" [1.27 MICRONS] MIN. NICKEL UNDERPLATE. 100µ" MIN. MATTE TIN OR GOLD FLASH ON CONTACT AILS.
- SHIELD: COPPER ALLOY
- PLATING: NICKEL WITH PURE-TIN DIPPED TAILS.

**PART NUMBER:** RJSAE-538X-04X

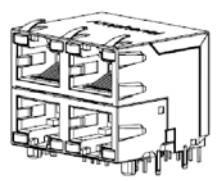
REFER TO LED OPTIONS DRAWING FOR ORDERING CODES



UNLESS SPECIFIED OTHERWISE	DRAWN CHIGOW	DATE NOV.16/06
PRIMARY UNITS INCH	CHECKED LAWRENCE C	NOV.16/06
SECONDARY MILLIMETER	M.E. APP'D	
REFERENCE IN PARENTHESES	Q.A. APP'D	
GENERAL TOLERANCES	DWG APPR.	
1 DECIMAL PLACE ±0.025	ENG. REL. NO.	
2 DECIMAL PLACES ±0.020	REF.	
3 DECIMAL PLACES ±0.015		
ANGULAR DEGREES ±1.0°	THIRD ANGLE PROJECTION	DO NOT SCALE DRAWING

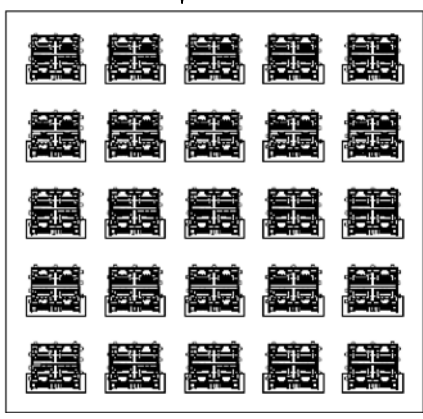
<b>Amphenol Canada Corp.</b> www.amphenolcanada.com	
TITLE	STACKABLE MULTI-PORT MODULAR JACK, SHIELDED, 4 PORTS, 2 PIECE CONSTRUCTION(8 POSITION, 8 CONTACTS, WITH LEDS) - RoHS COMPLIANT
DWG. NO.	P-RJSAE-538X-04X
CODE ID NO.	03554
DWG SIZE:	C
SCALE:	N/A
SHEET	1 OF 2

REVISIONS			
REV	DESCRIPTION, ECN, EAR NO.	DATE	APP'D
C	PROPOSAL	NOV 16/06	L.CHAN
D	ADD NEW LED OPTION	FEB 09/17	L.CHAN



CONNECTOR

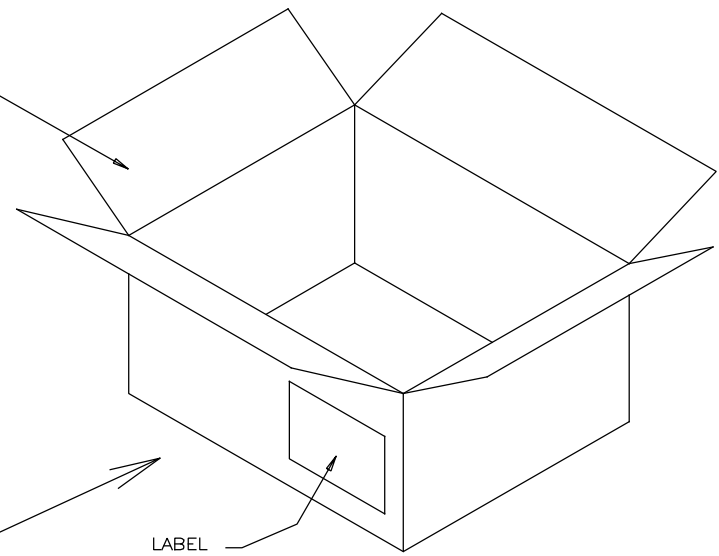
CONNECTOR PLACE INTO FOAM



25PCS CONNECTOR PER FOAM

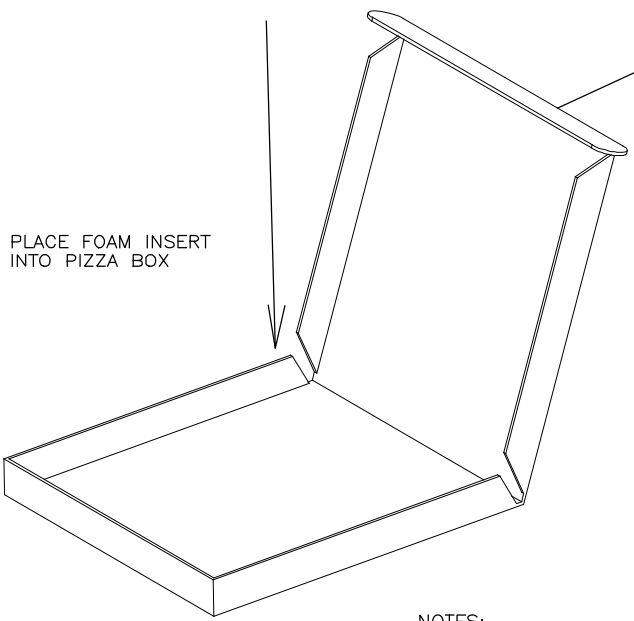


6 PIZZA BOX IN CARTON

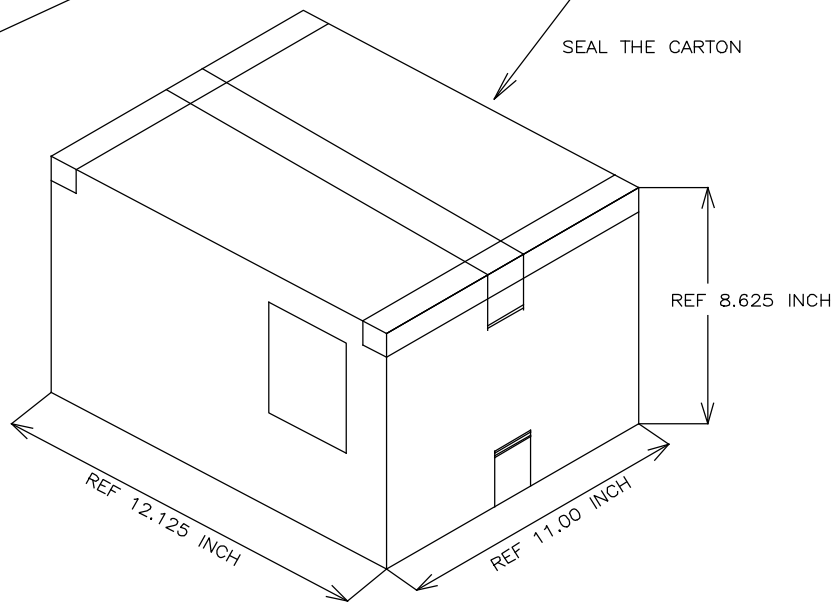


LABEL

SEAL THE CARTON



PLACE FOAM INSERT INTO PIZZA BOX



NOTES:

- PACAKING QUANTITY  
 1. 25PCS PER FOAM  
 2. 6 PCS PIZZA BOX PER CARTON  
 150 PCS CONNECTORS PER CARTON

UNLESS SPECIFIED OTHERWISE	DRAWN CHIGOW	DATE NOV.16/06
PRIMARY UNITS INCH	CHECKED LAWRENCE C	NOV.16/06
SECONDARY MILLIMETER	M.E. APP'D	
REFERENCE IN PARENTHESES	Q.A. APP'D	
GENERAL TOLERANCES	DWG APPR.	
1 DECIMAL PLACE ±0.025	ENG. REL. NO.	
2 DECIMAL PLACES ±0.020	REF.	
3 DECIMAL PLACES ±0.015	THIRD ANGLE PROJECTION	DO NOT SCALE DRAWING
ANGULAR DEGREES ±1.0°		

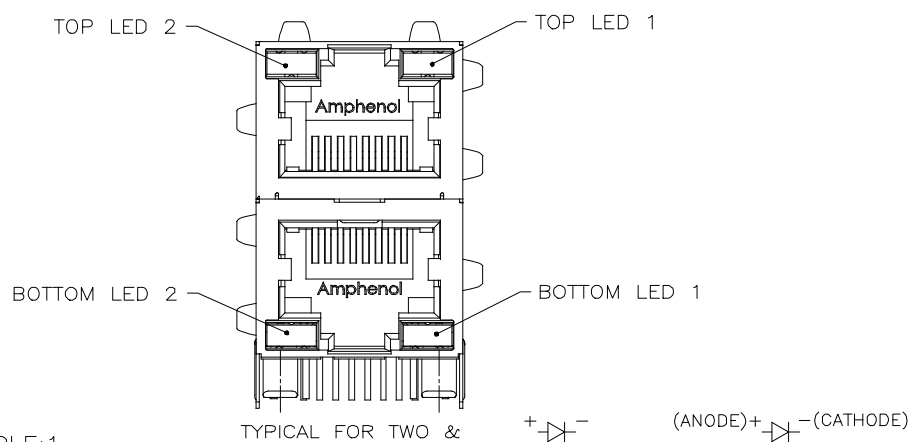
**Amphenol Canada Corp.**  
 www.amphenolcanada.com

TITLE STACKABLE MULTI-PORT MODULAR JACK, SHIELDED, 4 PORTS, 2 PIECE CONSTRUCTION(8 POSITION, 8 CONTACTS, WITH LEDS) - RoHS COMPLIANT

DWG. NO. P-RJSAE-538X-04X

CODE ID NO. 03554 DWG SIZE: C SCALE: N/A SHEET 2 OF 2

REVISIONS			
REV	DESCRIPTION, ECN, EAR NO.	DATE	APP'D
H	PROPOSAL	JUL 04/12	L.CHAN
J	PROPOSAL	MAR 03/14	L.CHAN
K	ADD NEW COLOR OPTION	FEB 09/17	L.CHAN



**LED SPECIFICATIONS:**  
 FORWARD VOLTAGE: 2.1 VOLTS TYP.  
 REVERSE VOLTAGE: 5.0 VOLTS MIN.  
 LUMINOUS INTENSITY: 0.5 mCd MIN.  
 (AT If=2mA)  
 STORAGE TEMPERATURE: -20° TO 85° C  
 PLATING ON TAILS: TIN OR TIN/COPPER ALLOY OVER SILVER

PRIMARY COLOR FOR BI-COLOR  
 LEDS IN STANDARD ANODE/  
 CATHODE CONFIGURATION IS:  
 RED-GREEN= RED  
 RED-YELLOW= RED  
 GREEN-YELLOW= GREEN  
 GREEN-ORANGE= GREEN



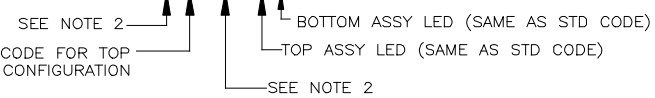
**LEGEND**  
 BiC=BI-COLOR LED  
 LOWC=LOW CURRENT LED  
 YE=YELLOW  
 GR=GREEN  
 RD=RED  
 OR=ORANGE

**NOTES:**  
 1. THE TWO DIGITS PRECEDING THE ADDITIONAL LED CODE MUST BE USED IN THE PART NUMBER, WHEN ORDERING ANY OF THE ADDITIONAL LED OPTIONS.  
 2. '\*' REPRESENT DIFFERENT OPTION OF CONNECTOR, DETAIL OPTION PLEASE SEE RELEVANT CONNECTOR DRAWING.

**EXAMPLE:1**  
 PART NUMBER RJS AE-\*\*\*X-\*\*

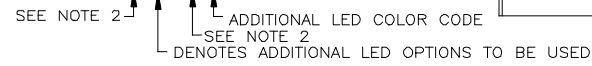


**EXAMPLE:2**  
 PART NUMBER RJS AE-\*\*\*U-\*\*-XX



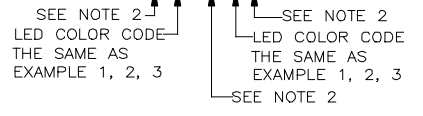
CODE	LED 2 (LEFT)	LED 1 (RIGHT)	CODE	LED 2 (LEFT)	LED 1 (RIGHT)	CODE	LED 2 (LEFT)	LED 1 (RIGHT)
0	BLOCKED	BLOCKED	9	GREEN	BLOCKED	J	BiC RD/GR	YELLOW
1	YELLOW	GREEN	A	BiC GR/YE	BiC GR/YE	K	YELLOW	BiC GR/OR
2	BLOCKED	GREEN	B	BiC RD/GR	BiC RD/GR	L	BiC GR/YE	RED
3	YELLOW	BLOCKED	C	BiC RD/GR	BiC GR/YE	M	RED	YELLOW
4	GREEN	YELLOW	D	GREEN	BiC GR/YE	N	BiC GR/RD	BiC GR/YE
5	GREEN	GREEN	E	YELLOW	BiC GR/YE	P	GREEN	BiC RD/GR
6	YELLOW	YELLOW	F	BiC GR/YE	YELLOW	R	BiC GR/OR	GREEN
7	RED	GREEN	G	BiC GR/OR	BiC GR/OR	T	RED	RED
8	GREEN	RED	H	BiC GR/YE	GREEN	V	BiC RD/GR	GREEN
			W	ADDITIONAL OPTIONS				
			U	SPECIAL CODE FOR TOP & BOTTOM LEDS CONFIGURATION				

**EXAMPLE:3**  
 PART NUMBER RJS AE-\*\*\*W-\*\*X



CODE	LED 2 (LEFT)	LED 1 (RIGHT)	CODE	LED 2 (LEFT)	LED 1 (RIGHT)	CODE	LED 2 (LEFT)	LED 1 (RIGHT)
0	DO NOT USE		5	BLOCKED	YELLOW	A	LOWC YE	LOWC YE
1	RED	BLOCKED	6	RED	BiC RD/GR	B	LOWC YE	LOWC GR
2	BiC GR/OR	YELLOW	7			C	LOWC GR	LOWC YE
3	YELLOW	RED	8	BiC RD/GR	BLOCKED	D	LOWC GR	LOWC GR
4	BLOCKED	RED	9	BiC GR/YE	BLOCKED	M	LOWC RD	LOWC YE
						N	GREEN	BiC GR/OR
						E	GREEN	ORANGE
						F	ORANGE	GREEN
						G	BiC YE/GR	BiC YE/GR
						P	BiC RD/YE	GREEN
						R	BiC RD/YE	BiC RD/YE
						T	BiC GR/YE	BiC RD/GR
						H	BLUE	RED

**EXAMPLE:4**  
 PART NUMBER RJS AE-\*\*\*X-\*\*XX\*



UNLESS SPECIFIED OTHERWISE	DRAWN PAUL WANG	DATE JUL 22/05
PRIMARY UNITS	CHECKED LAWRENCE C.	DATE JUL 22/05
SECONDARY	M.E. APP'D	
REFERENCE IN PARENTHESES	Q.A. APP'D	
GENERAL TOLERANCES	DWG APPR.	
1 DECIMAL PLACE	ENG. REL. NO.	
2 DECIMAL PLACES	REF.	
3 DECIMAL PLACES	THIRD ANGLE PROJECTION	DO NOT SCALE DRAWING
ANGULAR DEGREES		

Amphenol Canada Corp. www.amphenolcanada.com	
TITLE LED OPTIONS FOR RJS AE, MULTI-PORT CONNECTORS - RoHS COMPLIANT	
DWG. NO. P-RJS AE-LEDS	REV K
CODE ID NO. 03554	DWG SIZE: C SCALE: N/A SHEET 1 OF 1