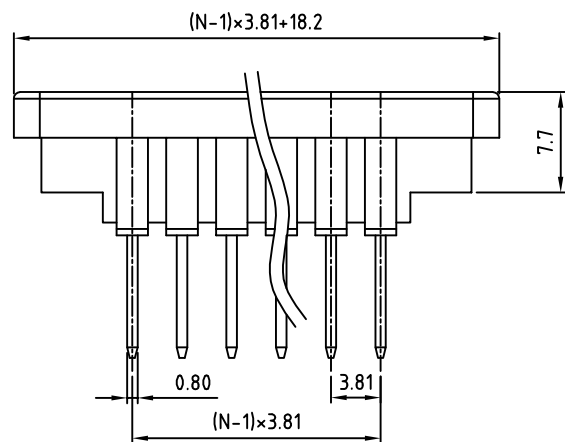
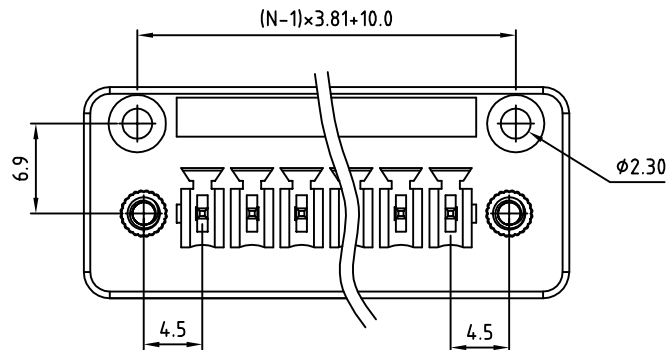
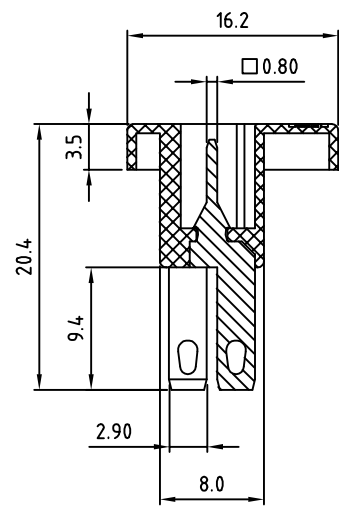
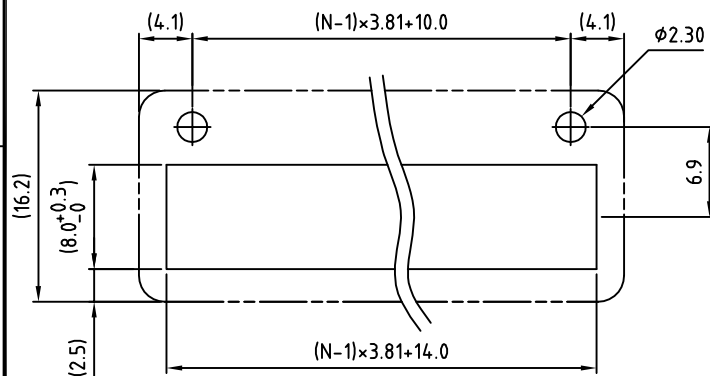


SIGN	DATE	DESCRIPTION	APPROVER
		THIS IS CAD DRAWING, DO NOT REVISE MANUALLY!!!	



N=Number of poles

Cutout dimensions



**Material**

- Solder Pin: Brass with Tin plated.
- Flange screw nut: brass M2.5
- Insulator (housing): Thermoplastic(UL94V-0)

**Electrical**

- Voltage rating: 300VAC
- Current rating: 10A
- Withstanding Voltage: 1.6KV
- Operating temperature: -30°C to +105°C
- Soldering temperature: 250°C ± 10°C 5 seconds max
- Safety Approval:

RoHS Compliant

PART NUMBER:

**OSTVZXX3050**

No. of Poles	COLOR
02 2 Poles	0: Black
03 3 Poles	5: Green (Standard)
... ..	6: Blue
24 24 Poles	8: Grey



THESE DRAWINGS AND SPECIFICATIONS ARE THE PROPERTY OF ON-SHORE TECHNOLOGY, INC. AND SHALL NOT BE REPRODUCED, COPIED OR USED IN ANY MANNER WITHOUT THE PRIOR WRITTEN CONSENT OF ON-SHORE TECHNOLOGY, INC.

TITLE		OSTVZ-3.81mm series 2p-24p			
PART NO.	OSTVZXX3050	DWG NO.	OSTVZXX3050.DWG		
APPROVED	CHECKED	DESIGNED	DRAWN	CUST NO.	Tolerance
Shi Jun 2006 .11.07	Marvin 2006 .03.23	Marvin 2006 .03.23	Marvin 2006 .03.23		X. ±0.50
				UNIT: mm	X.X ±0.30
				SCALE: NONE	X.XX ±0.10
				SHEET: 01/01	X° ±1°
				REV: E	