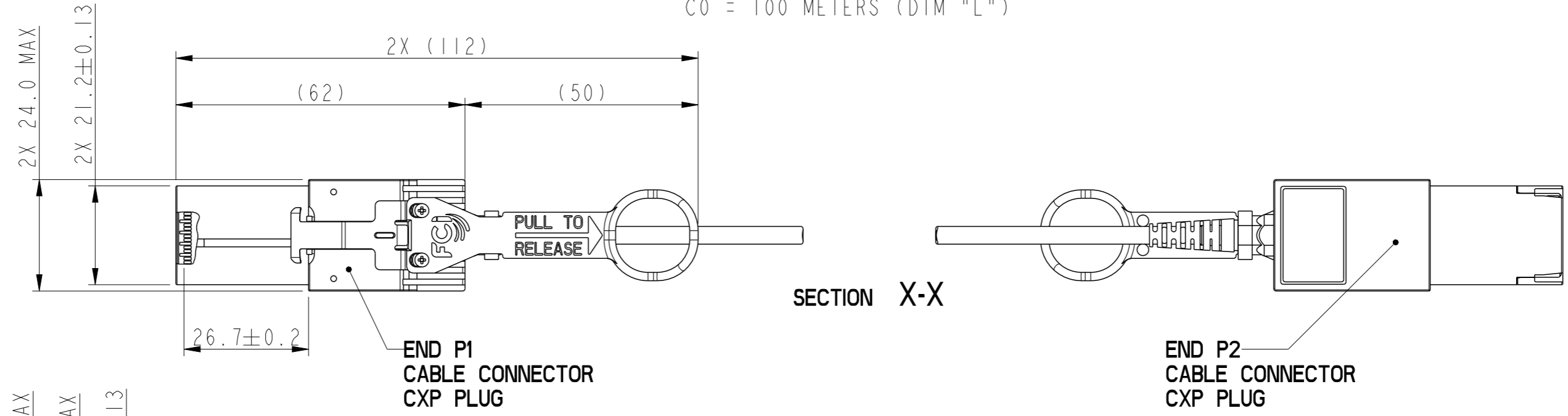


PRODUCT NUMBER
ICD120GVP2410-XX

PRODUCT NUMBER DESCRIPTION:

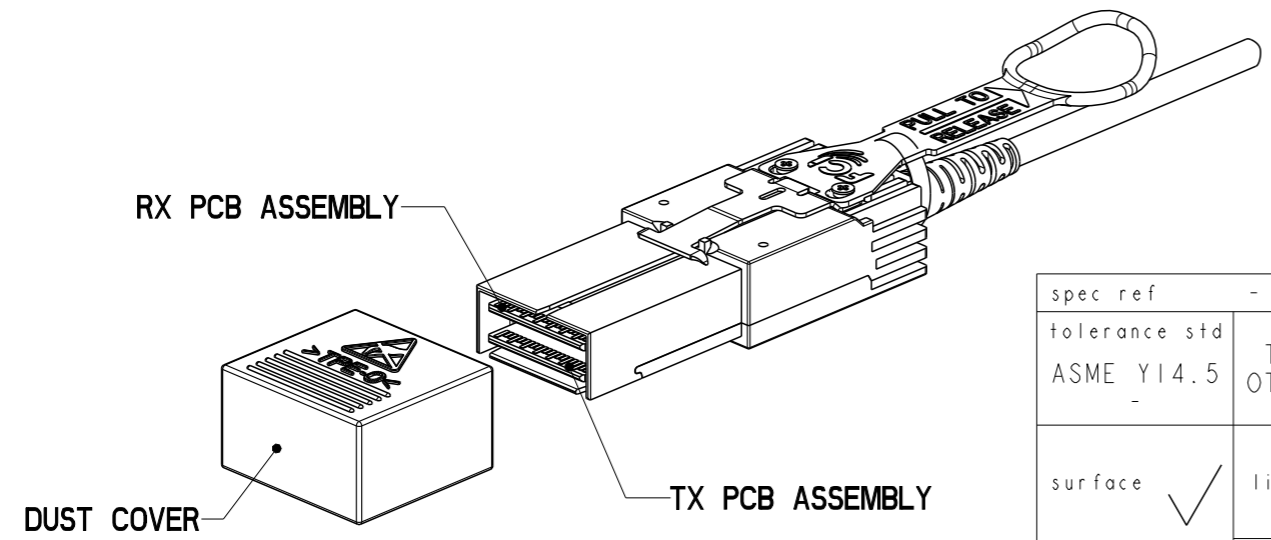
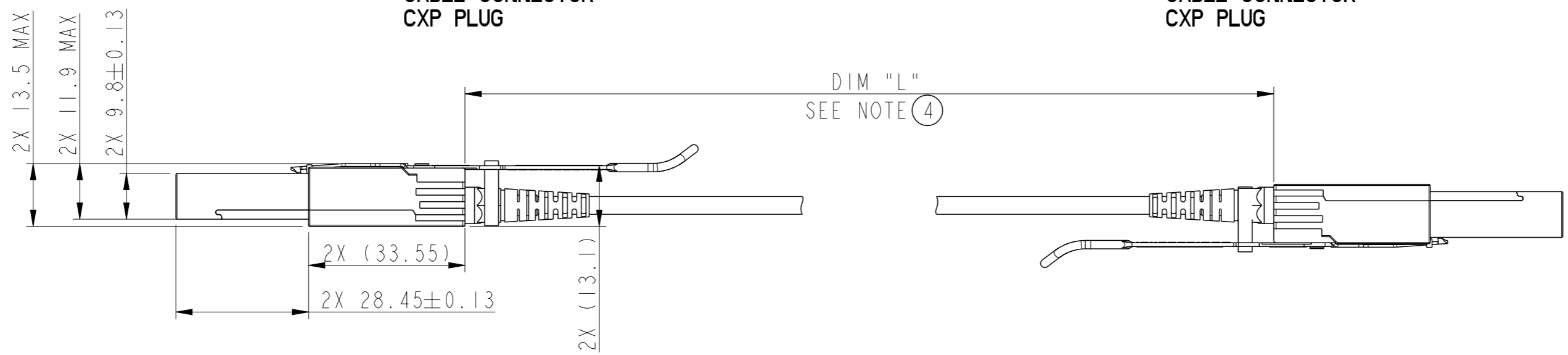
ICD120GVP2410-XX

LENGTH
XX= METERS - INCREMENT 5 METERS
EXAMPLE : 05 = 05 METERS (DIM "L")
C0 = 100 METERS (DIM "L")



VIEW A

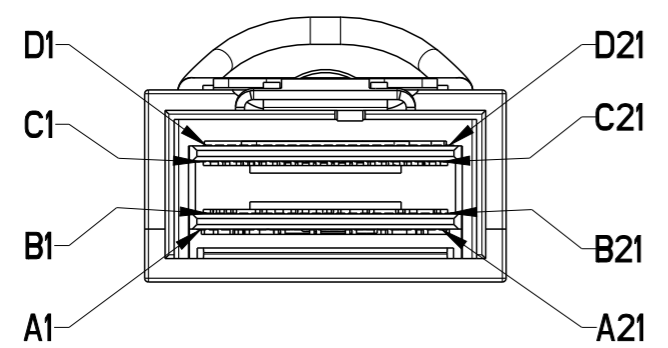
VIEW A



spec ref	-	dr	M Srinivasan	2011/11/25	projection	MM	size	A3	scale	1:1		
tolerance std	ASME Y14.5	eng	Andreas Krink	2012/01/20			ecn no	ELX-H-009748-1	rel level	Released		
TOLERANCES UNLESS OTHERWISE SPECIFIED		chr	-	apppr							Sven Otte	2012/01/20
surface	ASME Y14.5	linear	0.X	±0.3		TITLE STRAIGHT BOOT PRODUCT ASSEMBLY CXP Gen 2 AOC	dwg no ICD120GVP2410	rev B	Product - Customer Drw			
		angular	0°	±2°					cat. no.	-	sheet 1 of 2	
									www.fci.com			

Copyright FCI.

PRODUCT NUMBER
ICD120GVP2410-XX



**VIEW A-A
PIN ASSIGNMENTS
SCALE 2:1**

PLUG 1		PLUG 2		PLUG 1		PLUG 2	
CONTACT NUMBER	SIGNAL	CONTACT NUMBER	SIGNAL	CONTACT NUMBER	SIGNAL	CONTACT NUMBER	SIGNAL
A2	Tx1p	C2	Rx1p	C2	Rx1p	A2	Tx1p
A3	Tx1n	C3	Rx1n	C3	Rx1n	A3	Tx1n
A5	Tx3p	C5	Rx3p	C5	Rx3p	A5	Tx3p
A6	Tx3n	C6	Rx3n	C6	Rx3n	A6	Tx3n
A8	Tx5p	C8	Rx5p	C8	Rx5p	A8	Tx5p
A9	Tx5n	C9	Rx5n	C9	Rx5n	A9	Tx5n
A11	Tx7p	C11	Rx7p	C11	Rx7p	A11	Tx7p
A12	Tx7n	C12	Rx7n	C12	Rx7n	A12	Tx7n
A14	Tx9p	C14	Rx9p	C14	Rx9p	A14	Tx9p
A15	Tx9n	C15	Rx9n	C15	Rx9n	A15	Tx9n
A17	Tx11p	C17	Rx11p	C17	Rx11p	A17	Tx11p
A18	Tx11n	C18	Rx11n	C18	Rx11n	A18	Tx11n
B2	Tx0p	D2	Rx0p	D2	Rx0p	B2	Tx0p
B3	Tx0n	D3	Rx0n	D3	Rx0n	B3	Tx0n
B5	Tx2p	D5	Rx2p	D5	Rx2p	B5	Tx2p
B6	Tx2n	D6	Rx2n	D6	Rx2n	B6	Tx2n
B8	Tx4p	D8	Rx4p	D8	Rx4p	B8	Tx4p
B9	Tx4n	D9	Rx4n	D9	Rx4n	B9	Tx4n
B11	Tx6p	D11	Rx6p	D11	Rx6p	B11	Tx6p
B12	Tx6n	D12	Rx6n	D12	Rx6n	B12	Tx6n
B14	Tx8p	D14	Rx8p	D14	Rx8p	B14	Tx8p
B15	Tx8n	D15	Rx8n	D15	Rx8n	B15	Tx8n
B17	Tx10p	D17	Rx10p	D17	Rx10p	B17	Tx10p
B18	Tx10n	D18	Rx10n	D18	Rx10n	B18	Tx10n

NOTES:

- MATERIAL:
COVERS : ZINC ALLOY/ COPPER UNDERPLATE/ NICKEL OVERPLATE
PULL CORD : THERMOPLASTIC
SPRINGARM : STAINLESS STEEL
STRAIN RELIEF BOOT : THERMOPLASTIC
SCREWS : STAINLESS STEEL
PADDLE CARD : PRINTED CIRCUIT SUBSTRATE - FR4
DUST COVER : THERMOPLASTIC POLYOLEFINS
TOP & BOTTOM BLISTER (NOT SHOWN) : PET.
- REFERENCE PRODUCT SPECIFICATION GS-12-0966 FOR DETAILED SPECIFICATIONS.
- THIS PRODUCT MEETS THE RESTRICTION OF HAZARDOUS SUBSTANCES IN ELECTRICAL AND ELECTRONIC EQUIPMENT (RoHS). DIRECTIVE 2002/95/EC.
- THIS DIMENSION IS A FINISHED PRODUCT LENGTH.
- A "△" SYMBOL WILL BE NEXT TO ANY DIMENSION, VIEW, OR NOTE WHICH HAS BEEN MODIFIED WITH THE CURRENT DRAWING REVISION. THE CURRENT REVISION WILL BE SHOWN IN THE SYMBOL.

A1, A4, A7, A10, A13, A16, A19, B1, B4, B7, B10, B13, B16, B19, C1, C4, C7, C10, C13, C16, C19, D1, D4, D7, D10, D13, D16, D19 ON EACH PLUG ARE CONNECTED TO LOCAL SIGNAL GROUND. THEY ARE NOT CONNECTED THROUGH CABLE.

A20, A21, C20 AND C21 ARE CONNECTED TO LOCAL MANAGEMENT INTERFACE. THEY ARE NOT CONNECTED THROUGH CABLE.

B20, B21, D20 AND D21 PROVIDE LOCAL POWER. THEY ARE NOT CONNECTED THROUGH CABLE.

CABLE CONNECTIVITY MAPPING

spec ref	-	dr	M Srinivasan	2011/11/25	projection	MM	size	A3	scale	1:1		
tolerance std	ASME Y14.5	eng	Andreas Krink	2012/01/20			ecn no	ELX-H-009748-1	rel level	Released		
TOLERANCES UNLESS OTHERWISE SPECIFIED		chr	-	app							Sven Otte	2012/01/20
surface	linear	0.X	±0.3	product family							CXP AOC	
		0.XX	±0.10	STRAIGHT BOOT PRODUCT ASSEMBLY		ICD120GVP2410	rev	B				
		0.XXX	±0.050	CXP Gen 2 AOC								
ASME Y14.5	angular	0°	±2°	www.fci.com	cat. no.	-	Product - Customer Drw	sheet 2 of 2				

Copyright FCI. FCI