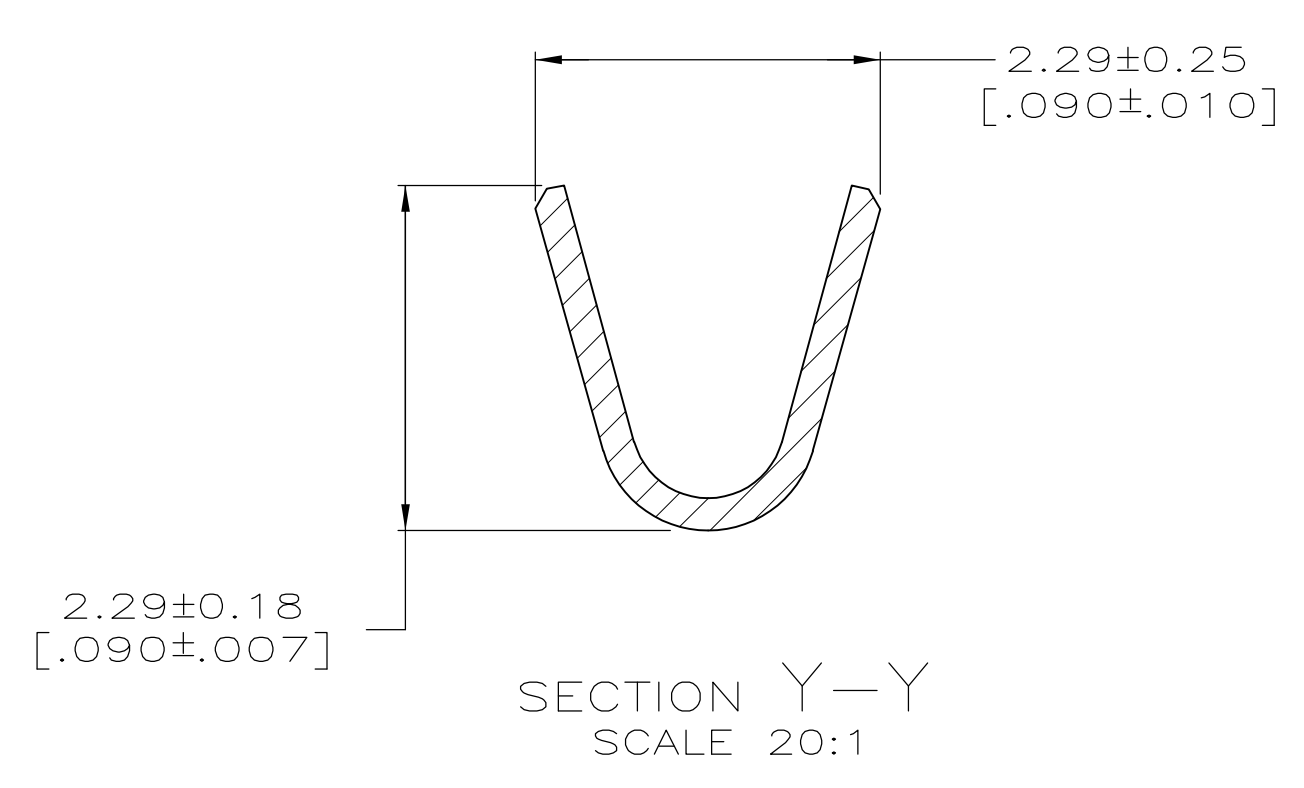
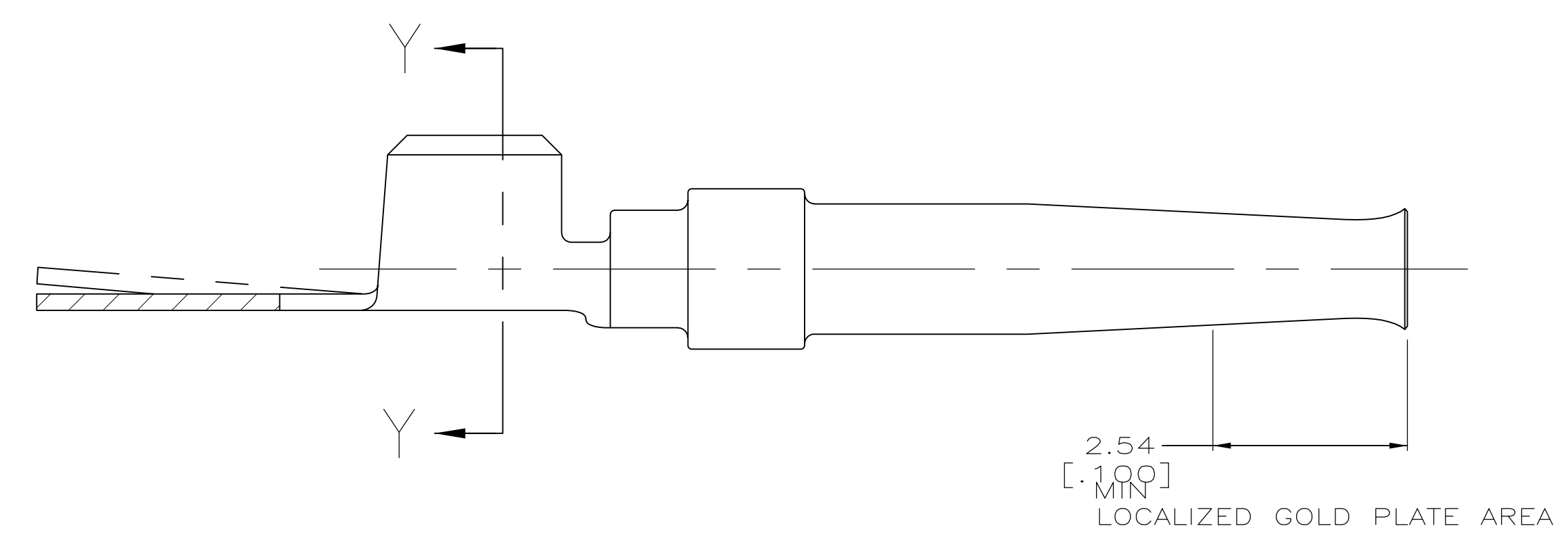


- 1. FOR MINI-APPLICATOR.
- 2. MAX. INSULATION DIAMETER ALLOWABLE FOR EXTRACTING CONTACT FROM CONNECTOR WITH 91067-2 TOOL IS 1.73 [.068].
- 3. GOLD FLASH ON INSIDE OF LOCALIZED GOLD PLATE AREA, 2.54μm [.000100] TIN PLATED ON CRIMP BARRELS, ALL OVER 0.76μm [.000030] NICKEL UNDERPLATE.
- 4. PLATED WITH 0.76μm [.000030] GOLD ON INSIDE OF LOCALIZED GOLD PLATE AREA, 2.54μm [.000100] TIN ON CRIMP BARRELS, ALL OVER 1.27μm [.000050] NICKEL UNDERPLATE.  
-OR-  
GOLD FLASH OVER PALLADIUM-NICKEL 0.76μm [.000030] TOTAL ON INSIDE OF LOCALIZED GOLD PLATE AREA, 2.54μm [.000100] TIN ON CRIMP BARRELS, ALL OVER 1.27μm [.000050] NICKEL UNDERPLATE.



|        |               |
|--------|---------------|
| 4      | 1658542-2     |
| 3      | 1658542-1     |
| FINISH | PART NUMBER 1 |

|  |               |                     |         |   |
|--|---------------|---------------------|---------|---|
| THIS DRAWING IS A CONTROLLED DOCUMENT. |               | DWN<br>R. SAMICK    | 14AUG03 | Tyco Electronics Corporation<br>Harrisburg, PA 17105-3608 |
| DIMENSIONS:<br>mm [INCHES]             |               | CHK<br>S. BOLASH    | 14AUG03 |   |
| TOLERANCES UNLESS OTHERWISE SPECIFIED: |               | APPD<br>M. WALMSLEY | 14AUG03 | NAME<br>CONTACT, SOCKET,                                  |
| 0. PLC                                 | ± -           | PRODUCT SPEC        |         | 20 DF, 18-22 AWG, AMPLIMITE                               |
| 1. PLC                                 | ± -           | APPLICATION SPEC    |         | 108-40005   |
| 2. PLC                                 | ± 0.13 [.005] | SIZE                |         | 114-10000   |
| 3. PLC                                 | ± -           | CAGE CODE           |         | 00779   |
| 4. PLC                                 | ± -           | DRAWING NO          |         | 1658542   |
| ANGLES                                 | ± -           | WEIGHT              |         | -   |
| FINISH                                 | SEE TABLE     | CUSTOMER DRAWING    |         | SCALE 15:1 SHEET 1 OF 1 REV D                             |