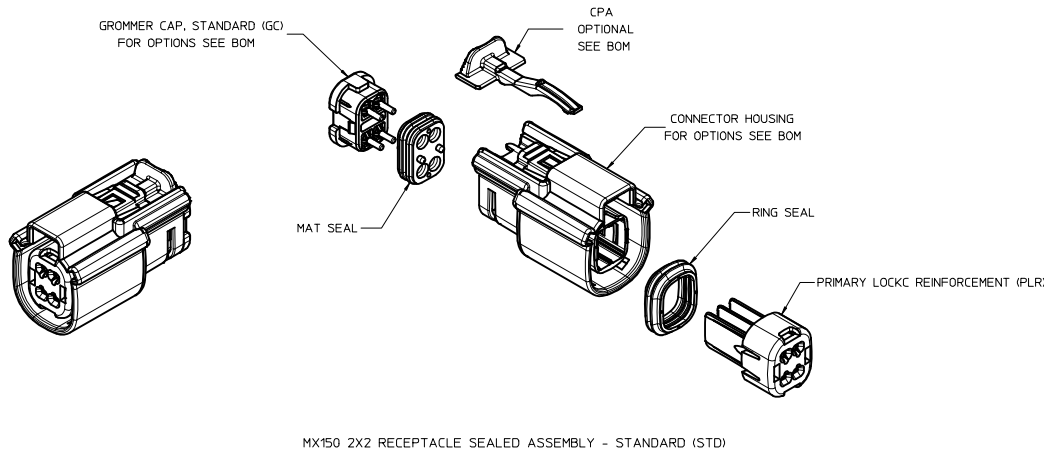




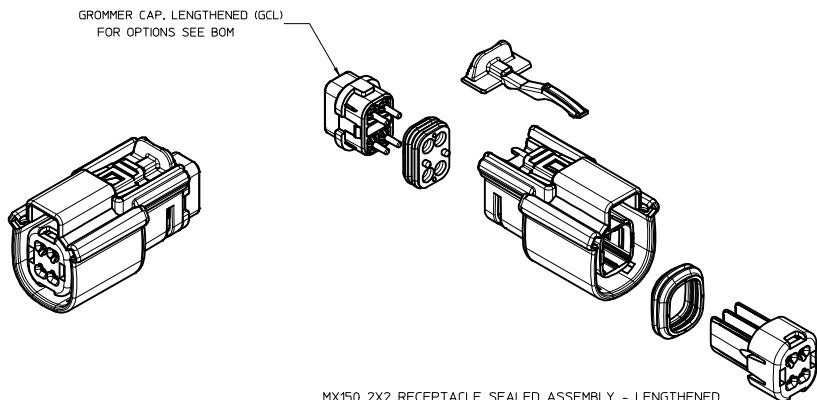
TABLE OF CONTENTS	
SHEET NO.	SHEET DESCRIPTION
1	NOTES
2	KEY CONFIGURATIONS
3	RECEPTACLE SEALED ASSEMBLY
4	BOM

NOTES: VALID UNLESS OTHERWISE SPECIFIED

1. GENERAL:
  - a. APPLICATION SPECIFICATION SEE: AS-33472-100
    - CONTAINS: PRODUCT INTRODUCTION, PRODUCT SUMMARY, CONNECTOR ASSEMBLY, PACKAGING INFORMATION, CONNECTOR MATING, SERVICE INSTRUCTIONS, ELECTRICAL CONTINUITY CHECKING, CRIMPING, AND TROUBLESHOOTING.
    - DESIGNED TO MATE WITH DEVICE CONNECTION AS SPECIFIED IN DRAWING EWCAP 150-S-004-2-202, AVAILABLE AT <a href="http://ewcap.uscorteam.com/">http://ewcap.uscorteam.com/</a>
    - DESIGNED TO MATE WITH BLADE SEALED ASSEMBLY AS SPECIFIED IN DRAWING SD-33482-041
    - FOR 15mm RECEPTACLE TERMINALS TO BE USED WITH THIS ASSEMBLY. SEE MOLEX DRAWING SD-33012-002.
    - SYSTEM TO BE USED WITH WIRE WITHIN DIAMETER RANGE OF 1.4 mm TO 2.69 mm.
    - ASSEMBLY SHIPPED WITH PLR AND CPA IN PRE-LOCK POSITION (SEE SECTION 2-2 PRE-LOCK).
    - IN THE EVENT THAT THE PLR IS FOUND IN THE SEATED (FINAL LOCK) POSITION, REFER TO MOLEX SPECIFICATION PS-34646-001, AVAILABLE AT [www.molex.com](http://www.molex.com) <a href="http://www.molex.com">http://www.molex.com</a>
    - ASSEMBLY CONFORMS TO SAE/USCAR-2 REV.4 WITH THE FOLLOWING EXCEPTIONS:
      - ENGAGEMENT FORCE TO MOVE CPA FROM PRE-LOCK TO FINAL LOCK POSITION WHEN UNMATED: 40N MIN.
      - DISENGAGEMENT FORCE TO MOVE CPA FROM FINAL LOCK TO PRE-LOCK POSITION: 3N MIN, 40N MAX
      - TERMINAL INSERTION FORCE FOR WIRE DIAMETER ABOVE 2.5mm NOT EXCEEDING 2.69mm SHALL NOT EXCEED 40 NEWTONS.
      - PLR INSERTION FROM PRE-LOCK TO FINAL LOCK WITH TERMINALS SHALL NOT EXCEED 90N.
      - PLR REMOVAL FROM FINAL LOCK TO PRE-LOCK POSITION SHALL NOT EXCEED 90N.
  - b. PRODUCT SPECIFICATION SEE: PS-33472-000
    - CONTAINS: PRODUCT INTRODUCTION, PRODUCT SUMMARY, RATINGS (CURRENT, TEMPERATURE, SEALING, AND FLAMMABILITY), AND PRODUCT VALIDATION.
  - c. PACKAGING SPECIFICATION PER MOLEX DRAWING: PK-31300-635.
  - d. PARTS MUST BE IN COMPLIANCE TO MOLEX CHEMICAL SUBSTANCES FOR PRODUCTS AND PACKAGING SPECIFICATION: ES-40000-5016
  - e. DATA MUST BE SUBMITTED UNDER THE MOLEX PART NUMBER TO IMDS (COMPANY ID#13255)
2. DESIGN - MATERIALS:
  - a. HOUSING, GROMMET CAP, PLR: SPS/NYLON BLEND, 20% GLASS FILLED
  - b. RING SEAL, MAT SEAL: INHERENTLY LUBRICATED SILICONE
  - c. CPA: PBT, 20% GLASS FILLED
3. DESIGN - GEOMETRY:
  - a. THIS IS A 100% CAD GENERATED PART. THE CAD MATHEMATICAL DATA IS THE MASTER FOR THIS PART. FOR DIMENSIONAL OR ANY INFORMATION NOT SHOWN ON THIS DRAWING, ANALYZE THE CAD MODEL.
  - b. GEOMETRIC DIMENSIONS AND TOLERANCES PER ASME Y14.5M - 1994
  - c. EDGES AND UNDIMENSIONED DETAILS PER ISO13715
  - d. CORNERS SHOWN AS SHARP TO BE R 0.2 MAX
  - e. LETTERING SHALL BE 0.15 MAX RAISED IN 0.25 MAX RECESS PAD. THIS INCLUDES RECYCLING CODE, CAVITY ID, VENDOR IDENTIFICATION, AND CUSTOMER MATERIAL NUMBER.
  - f. VISUAL DEFECTS SHALL MEET COSMETIC STANDARD PS-45499-002 (Class B)
  - g. LASER MARKING: TBD



MX150 2X2 RECEPTACLE SEALED ASSEMBLY - STANDARD (STD)



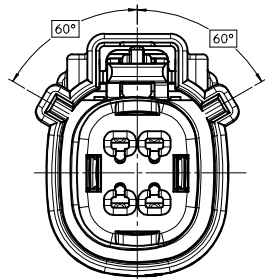
MX150 2X2 RECEPTACLE SEALED ASSEMBLY - LENGTHENED  
UNLESS COMPONENT NOTED, SEE STANDARD ASSEMBLY

INSPECTION NUMBER LOG  
LAST NUMBER USED:  
ADDED:  
REMOVED:

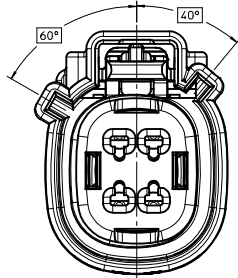
REV	DESCRIPTION
T1	UPDATED NOTES
T	REDRAWN

ENTER DESCRIPTION IEC NO: UAU2013-0441 DRAWN BY: DRWANKUNNINGHAM DATE: 2012/09/11 CHKD: APPR: WOSHY	QUALITY SYMBOLS ∇=0 ∇=0 ∇=0	GENERAL TOLERANCES (UNLESS SPECIFIED) mm      INCH 4 PLACES ±.004 ±.0015 3 PLACES ±.005 ±.002 2 PLACES ±0.10 ±.0075 1 PLACE ±0.3 ±.012 0 PLACE ± ±	DIMENSION STYLE MM ONLY DRAWN BY: MANSLAM BROU      DATE: 05-03-06 CHECKED BY: DGRIF F I THS      DATE: 06-22-06 APPROVED BY: SMARCEAU      DATE: 06-22-06	SCALE 2:1	DESIGN UNITS METRIC	THIRD ANGLE PROJECTION	
	DRAFT WHERE APPLICABLE MUST REMAIN WITHIN DIMENSIONS			ANGULAR ± 3 °	TITLE MX150 2X2 RECEPTACLE SEALED ASSEMBLY MAT SEAL		
	MATERIAL NO. SEE BOM			DOCUMENT NO. SD-33472-041			
	SHEET NO. 1 OF 4			molex			

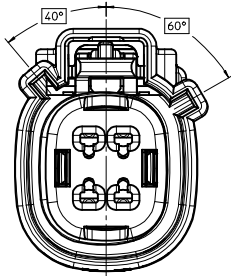
KEY CONFIGURATIONS



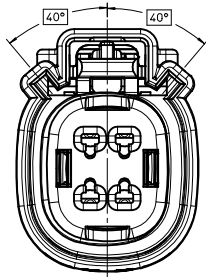
KEY A



KEY B



KEY C

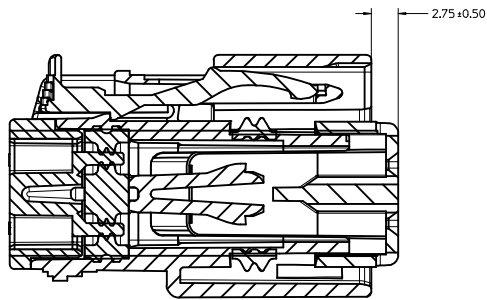
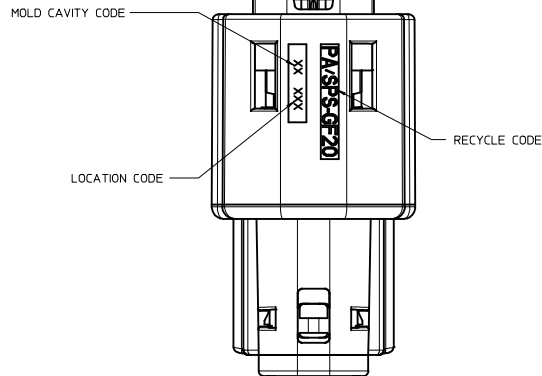
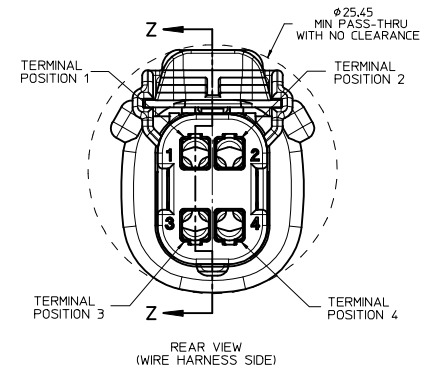
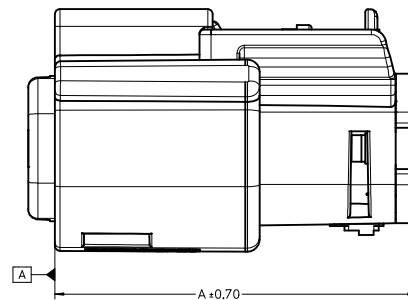
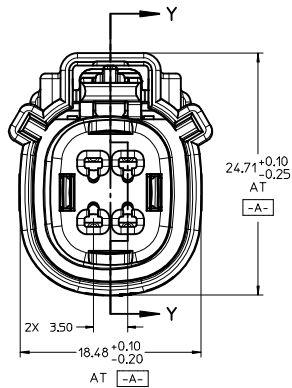
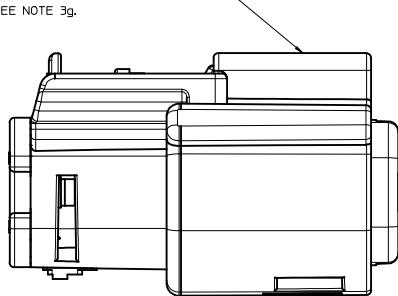


KEY D

<b>ENTER DESCRIPTION</b> IEC NO: UAU2013-0441 DRAWN: CUNNINGHAM 2012/09/11 CHKD: APPR: KOSHY 2012/09/17	QUALITY SYMBOLS ▽=0 ▽=0 ▽=0	GENERAL TOLERANCES (UNLESS SPECIFIED) mm INCH 4 PLACES ± .10 ± .004 3 PLACES ± .15 ± .005 2 PLACES ± 0.30 ± .012 1 PLACE ± 0.75 ± .030 0 PLACE ± 1.50 ± .060 ANGULAR ± 3 ° DRAFT WHERE APPLICABLE MUST REMAIN WITHIN DIMENSIONS	DIMENSION STYLE MM ONLY DRAWN BY DATE MYANSLAMBROU 05-03-06 CHECKED BY DATE DGRIFITHS 06-22-06 APPROVED BY DATE SMARCEAU 06-22-06	SCALE 4:1 DESIGN UNITS METRIC THIRD ANGLE PROJECTION	TITLE MX150 2X2 RECEPTACLE SEALED ASSEMBLY MAT SEAL <b>molex</b> DOCUMENT NO. SD-33472-041	SHEET NO. 2 OF 4
	MATERIAL NO. SEE BOM		THIS DRAWING CONTAINS INFORMATION THAT IS PROPRIETARY TO MOLEX INCORPORATED AND SHOULD NOT BE USED WITHOUT WRITTEN PERMISSION			
	SIZE D					

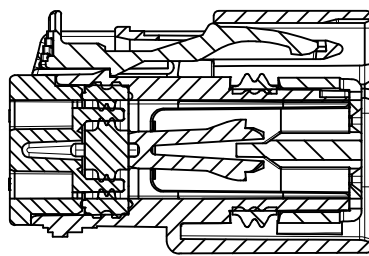
RECEPTACLE SEALED ASSEMBLY

LASER MARKING ON THIS SURFACE  
SEE NOTE 3g.



PRIMARY LOCK REINFORCER (PLR) SHOWN  
IN PRE-STAGED POSITION

SECTION Z-Z



PRIMARY LOCK REINFORCER (PLR) SHOWN  
IN FINAL-LOCK POSITION

SECTION Y-Y

CHARTED DIMENSIONS		
PART NUMBERS	CONFIGURATION	A
33472-0401 THRU 33472-0452	MX150 2X2 RECEPTACLE CONN - STANDARD	36.95
33472-4401 THRU 33472-4412	MX150 2X2 RECEPTACLE CONN - LENGTHENED	4155

<b>ENTER DESCRIPTION</b> IEC NO. UAU2013-0441 DRAWN/CUNNINGHAM 2012/09/11 CHKD: APPR: WOSHY 2012/09/17 REV:	QUALITY SYMBOLS ∇=0 ∇=0 ∇=0	GENERAL TOLERANCES (UNLESS SPECIFIED) mm INCH 4 PLACES ± --- ± --- 3 PLACES ± 0.10 ± --- 2 PLACES ± 0.3 ± --- 1 PLACE ± --- ± --- 0 PLACE ± --- ± --- ANGULAR ± 3 ° DRAFT WHERE APPLICABLE MUST REMAIN WITHIN DIMENSIONS	DIMENSION STYLE MM ONLY DRAWN BY DATE MYANSLAMBROU 05-03-06 CHECKED BY DATE DGRIFITHS 06-22-06 APPROVED BY DATE SMARCEAU 06-22-06	SCALE 4:1 DESIGN UNITS METRIC THIRD ANGLE PROJECTION	TITLE MX150 2X2 RECEPTACLE SEALED ASSEMBLY MAT SEAL <b>molex</b> MATERIAL NO. SEE BOM DOCUMENT NO. SD-33472-041	SHEET NO. 3 OF 4
	THIS DRAWING CONTAINS INFORMATION THAT IS PROPRIETARY TO MOLEX INCORPORATED AND SHOULD NOT BE USED WITHOUT WRITTEN PERMISSION					
	SIZE D					
	SEE BOM					

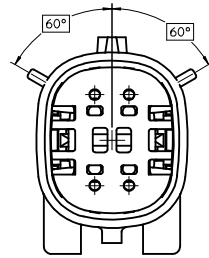
BOM SHEET 1

ASSEMBLY PART NUMBER	COLOR	KEYING OPTION	CAVITY TYPE & STATUS (X = PLUGGED)				CPA	STATUS	COMMENTS
			1	2	3	4			
33472-0401	BLACK	A					-	SALEABLE	RECOMMENDED, TEMPERATURE CLASS 4 (-40°C TO 150°C)
33472-0402	LIGHT GRAY	B					-	SALEABLE	RECOMMENDED, TEMPERATURE CLASS 4 (-40°C TO 150°C)
33472-0403	BROWN	C					-	DESIGN CONCEPT	NOT RECOMMENDED, USE 33472-0442, SAME KEY IN DIFFERENT COLOR
33472-0404	GREEN	D					-	DESIGN CONCEPT	NOT RECOMMENDED, USE 33472-0443, SAME KEY IN DIFFERENT COLOR
33472-0406	BLACK	A					YES	SALEABLE	RECOMMENDED, TEMPERATURE CLASS 4 (-40°C TO 150°C)
33472-0407	LIGHT GRAY	B					YES	SALEABLE	RECOMMENDED, TEMPERATURE CLASS 4 (-40°C TO 150°C)
33472-0408	BROWN	C					YES	DESIGN CONCEPT	NOT RECOMMENDED, USE 33472-0444, SAME KEY IN DIFFERENT COLOR
33472-0409	GREEN	D					YES	DESIGN CONCEPT	NOT RECOMMENDED, USE 33472-0445, SAME KEY IN DIFFERENT COLOR
33472-0431	BLACK	A	X	X	X	X	-	SALEABLE	RECOMMENDED, TEMPERATURE CLASS 4 (-40°C TO 150°C)
33472-0432	LIGHT GRAY	B	X	X	X	X	-	SALEABLE	RECOMMENDED, TEMPERATURE CLASS 4 (-40°C TO 150°C)
33472-0433	BROWN	C	X	X	X	X	-	DESIGN CONCEPT	NOT RECOMMENDED, USE 33472-0446, SAME KEY IN DIFFERENT COLOR
33472-0434	GREEN	D	X	X	X	X	-	DESIGN CONCEPT	NOT RECOMMENDED, USE 33472-0447, SAME KEY IN DIFFERENT COLOR
33472-4401	BLACK	A					-	SALEABLE	RECOMMENDED, TEMPERATURE CLASS 4 (-40°C TO 150°C)
33472-4402	LIGHT GRAY	B					-	SALEABLE	RECOMMENDED, TEMPERATURE CLASS 4 (-40°C TO 150°C)
33472-4403	DARK GRAY	C					-	SALEABLE	RECOMMENDED, TEMPERATURE CLASS 4 (-40°C TO 150°C)
33472-4404	STONE GRAY	D					-	SALEABLE	RECOMMENDED, TEMPERATURE CLASS 4 (-40°C TO 150°C)
33472-4405	BLACK	A					YES	SALEABLE	RECOMMENDED, TEMPERATURE CLASS 4 (-40°C TO 150°C)
33472-4406	LIGHT GRAY	B					YES	SALEABLE	RECOMMENDED, TEMPERATURE CLASS 4 (-40°C TO 150°C)
33472-4407	DARK GRAY	C					YES	SALEABLE	RECOMMENDED, TEMPERATURE CLASS 4 (-40°C TO 150°C)
33472-4408	STONE GRAY	D					YES	SALEABLE	RECOMMENDED, TEMPERATURE CLASS 4 (-40°C TO 150°C)
33472-4409	BLACK	A	X	X	X	X	-	SALEABLE	RECOMMENDED, TEMPERATURE CLASS 4 (-40°C TO 150°C)
33472-4410	LIGHT GRAY	B	X	X	X	X	-	SALEABLE	RECOMMENDED, TEMPERATURE CLASS 4 (-40°C TO 150°C)
33472-4411	DARK GRAY	C	X	X	X	X	-	SALEABLE	RECOMMENDED, TEMPERATURE CLASS 4 (-40°C TO 150°C)
33472-4412	STONE GRAY	D	X	X	X	X	-	SALEABLE	RECOMMENDED, TEMPERATURE CLASS 4 (-40°C TO 150°C)
33472-4413	---	---	---	---	---	---	---	---	OBSOLETE
33472-4414	---	---	---	---	---	---	---	---	OBSOLETE
33472-4415	---	---	---	---	---	---	---	---	OBSOLETE
33472-4416	---	---	---	---	---	---	---	---	OBSOLETE
33472-4417	---	---	---	---	---	---	---	---	OBSOLETE
33472-0435	BLACK	A	X	X			-	SALEABLE	RECOMMENDED, TEMPERATURE CLASS 4 (-40°C TO 150°C)
33472-0436	BLACK	A	X	X	X		-	SALEABLE	RECOMMENDED, TEMPERATURE CLASS 4 (-40°C TO 150°C)
33472-0437	BLACK	A			X	X	-	SALEABLE	RECOMMENDED, TEMPERATURE CLASS 4 (-40°C TO 150°C)
33472-0438	BLACK	A			X		-	SALEABLE	RECOMMENDED, TEMPERATURE CLASS 4 (-40°C TO 150°C)
33472-0439	BLACK	A				X	-	SALEABLE	RECOMMENDED, TEMPERATURE CLASS 4 (-40°C TO 150°C)
33472-0440	BLACK	A	X	X			-	SALEABLE	RECOMMENDED, TEMPERATURE CLASS 4 (-40°C TO 150°C)
33472-0441	BLACK	A	X	X			-	SALEABLE	RECOMMENDED, TEMPERATURE CLASS 4 (-40°C TO 150°C)
33472-0442	DARK GRAY	C					-	SALEABLE	RECOMMENDED, TEMPERATURE CLASS 4 (-40°C TO 150°C)
33472-0443	STONE GRAY	D					-	SALEABLE	RECOMMENDED, TEMPERATURE CLASS 4 (-40°C TO 150°C)
33472-0444	DARK GRAY	C					YES	SALEABLE	RECOMMENDED, TEMPERATURE CLASS 4 (-40°C TO 150°C)
33472-0445	STONE GRAY	D					YES	SALEABLE	RECOMMENDED, TEMPERATURE CLASS 4 (-40°C TO 150°C)
33472-0446	DARK GRAY	C	X	X	X	X	-	SALEABLE	RECOMMENDED, TEMPERATURE CLASS 4 (-40°C TO 150°C)
33472-0447	STONE GRAY	D	X	X	X	X	-	SALEABLE	RECOMMENDED, TEMPERATURE CLASS 4 (-40°C TO 150°C)
33472-0448	BLACK	A	X	X	X		-	SALEABLE	RECOMMENDED, TEMPERATURE CLASS 4 (-40°C TO 150°C)
33472-0449	BLACK	A	X	X			YES	SALEABLE	RECOMMENDED, TEMPERATURE CLASS 4 (-40°C TO 150°C)
33472-0450	BLACK	A			X		YES	SALEABLE	RECOMMENDED, TEMPERATURE CLASS 4 (-40°C TO 150°C)
33472-0451	BLACK	A			X	X	YES	SALEABLE	RECOMMENDED, TEMPERATURE CLASS 4 (-40°C TO 150°C)
33472-0452	BLACK	A	X	X			-	SALEABLE	RECOMMENDED, TEMPERATURE CLASS 4 (-40°C TO 150°C)

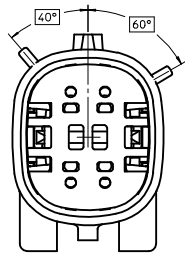
<b>ENTER DESCRIPTION</b> IEC NO. UAU2013-0441 DRAWN/CUNNINGHAM 2012/09/11 CHKD: APPR:VKOSHY 2012/09/17	QUALITY SYMBOLS	GENERAL TOLERANCES (UNLESS SPECIFIED)	DIMENSION STYLE	SCALE	DESIGN UNITS	THIRD ANGLE PROJECTION
	▽=0	4 PLACES ± mm	MM ONLY	DATE	METRIC	DATE
	▽=0	3 PLACES ± 0.10	INCH	MYANSLAMBROU 05-03-06		DATE
	▽=0	2 PLACES ± 0.3		DGRIFLITHS 06-22-06		DATE
	0 PLACE ±		APPROVED BY			
		ANGULAR ± 3 °	SMARCEAU 06-22-06			
		DRAFT WHERE APPLICABLE MUST REMAIN WITHIN DIMENSIONS	MATERIAL NO.			
			SEE BOM			
			DOCUMENT NO.			
			SD-33472-041			
			SHEET NO.			
			4 OF 4			



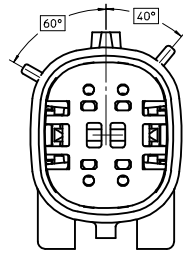
KEY CONFIGURATIONS



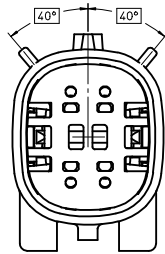
KEY A



KEY B

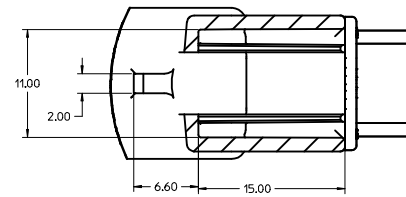
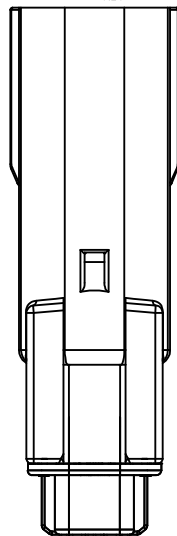
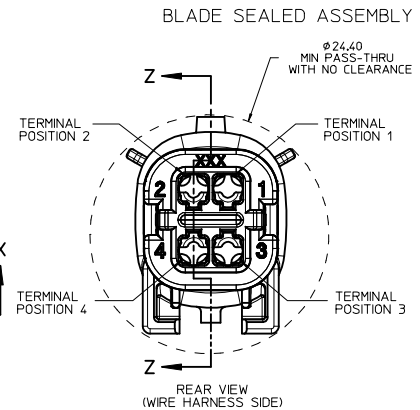
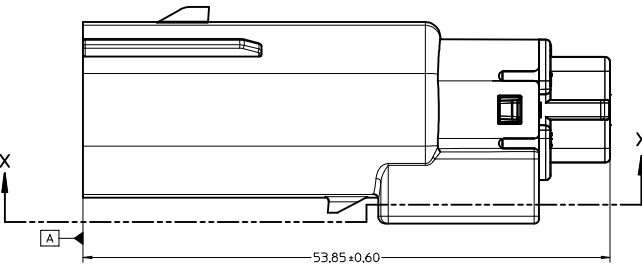
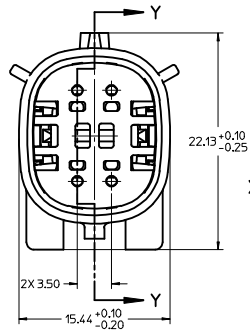
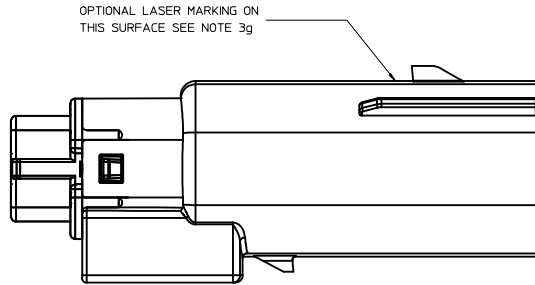


KEY C

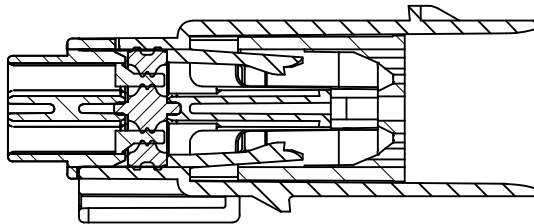


KEY D

REVISED IEC NO. UAU2013-1473 DRAWN BY: RUTTER CHYK: APPROFIT APPR: IKOSHY	2013/03/17 2013/03/20 2013/03/20	QUALITY SYMBOLS ▽=0 ▽=0 ▽=0	GENERAL TOLERANCES (UNLESS SPECIFIED)		DIMENSION STYLE <b>MM ONLY</b>	SCALE <b>4:1</b>	DESIGN UNITS <b>METRIC</b>	THIRD ANGLE PROJECTION
			4 PLACES ± mm ± INCH 3 PLACES ± --- ± --- 2 PLACES ± 0.10 ± --- 1 PLACE ± 0.3 ± --- 0 PLACE ± ±	DRAWN BY: MYANSLAMBROU CHECKED BY: DGRIFITHS APPROVED BY: SMARCEAU	DATE: 04-27-06 DATE: 06-22-06 DATE: 06-22-06	TITLE: MX150 2X2 BLADE SEALED ASSEMBLY MAT SEAL <b>molex</b>	MATERIAL NO.: SEE BOM DOCUMENT NO.: SD-33482-041	SHEET NO.: 2 OF 5
DRAFT WHERE APPLICABLE MUST REMAIN WITHIN DIMENSIONS			ANGULAR ± 3 °		THIS DRAWING CONTAINS INFORMATION THAT IS PROPRIETARY TO MOLEX INCORPORATED AND SHOULD NOT BE USED WITHOUT WRITTEN PERMISSION			

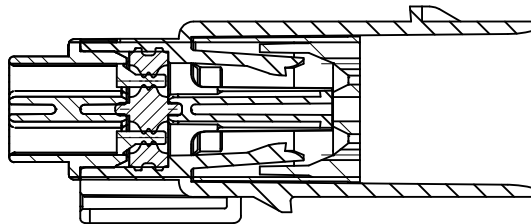


PARTIAL X-X  
SCALE 4:1



PRIMARY LOCK REINFORCER (PLR) SHOWN  
IN PRE-STAGED POSITION

SECTION Z-Z



PRIMARY LOCK REINFORCER (PLR) SHOWN  
IN FINAL LOCK POSITION

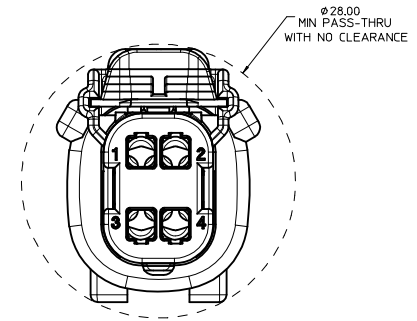
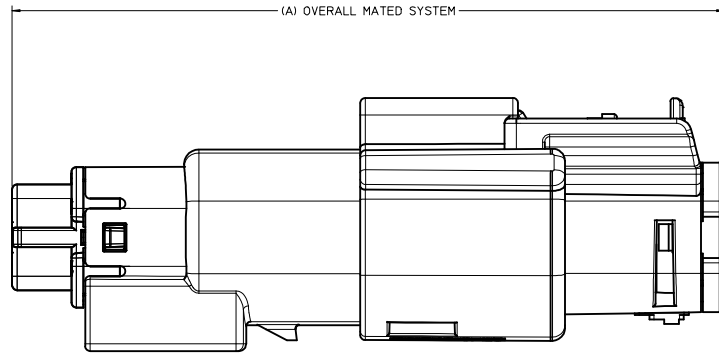
SECTION Y-Y

<b>REVISED</b> IEC NO. UAU2013-1473 DRAWN BY CHYKORUTTER CHECKED BY CHYKORUTTER APPR. BY WOSHY 2013/03/17 2013/03/20 2013/03/20	QUALITY SYMBOLS	GENERAL TOLERANCES (UNLESS SPECIFIED)	DIMENSION STYLE	SCALE	DESIGN UNITS	THIRD ANGLE PROJECTION	
	∇=0 ∇=0 ∇=0	4 PLACES ± mm 3 PLACES ± INCH 2 PLACES ± 0.10 1 PLACE ± 0.3 0 PLACE ±	MM ONLY	4:1	METRIC	DRAWN BY MYANSLAMBROU CHECKED BY DGRIFITHS APPROVED BY SMARCEAU DATE 04-27-06 DATE 06-22-06 DATE 06-22-06	MX150 2X2 BLADE SEALED ASSEMBLY MAT SEAL <b>molex</b>
	ANGLULAR ± 3 ° DRAFT WHERE APPLICABLE MUST REMAIN WITHIN DIMENSIONS	MATERIAL NO. SEE BOM SIZE D	DOCUMENT NO. SD-33482-041 SHEET NO. 3 OF 5	THIS DRAWING CONTAINS INFORMATION THAT IS PROPRIETARY TO MOLEX INCORPORATED AND SHOULD NOT BE USED WITHOUT WRITTEN PERMISSION			



20 19 18 17 16 15 14 13 12 11 10 9 8 7 6 5 4 3 2 1

SYSTEM PACKAGING



CHARTED DIMENSIONS		
RECEPTACLE ASSY PART NUMBER	CONFIGURATION	A
33472-0401 THRU 33472-0452	MX150 2X2 RECEPTACLE SEALED ASSEMBLY - STANDARD	72.78
33472-4401 THRU 33472-4412	MX150 2X2 RECEPTACLE SEALED ASSEMBLY - LENGTHENED	77.21

<b>REVISED</b> IEC NO. UAU2013-1473 DRAWN BY: J. RITTER CHKD: PROFFITT APPR: W. KOSHY	2013/03/17 2013/03/20 2013/03/20	QUALITY SYMBOLS ▽=0 ▽=0 ▽=0	GENERAL TOLERANCES (UNLESS SPECIFIED) mm INCH 4 PLACES ± --- ± --- 3 PLACES ± --- ± --- 2 PLACES ± 0.10 ± --- 1 PLACE ± 0.3 ± --- 0 PLACE ± ± ANGULAR ± 3 ° DRAFT WHERE APPLICABLE MUST REMAIN WITHIN DIMENSIONS	DIMENSION STYLE MM ONLY DRAWN BY: MYANSLAMBROU CHECKED BY: D. GRIFFITHS APPROVED BY: S. MARCEAU	SCALE: 4:1 DESIGN UNITS: METRIC THIRD ANGLE PROJECTION	TITLE: MX150 2X2 BLADE SEALED ASSEMBLY MAT SEAL <b>molex</b>	MATERIAL NO. SEE BOM DOCUMENT NO. SD-33482-041	SHEET NO. 4 OF 5

19 18 17 16 15 14 13 12 11 10 9 8 7 6 5 4 3 2 1

ASSEMBLY PART NUMBER	COLOR	KEYING OPTION	CAVITY TYPE & STATUS (X = PLUGGED)				STATUS	COMMENTS
			1	2	3	4		
33482-0401	BLACK	A					SALEABLE	RECOMMENDED, TEMPERATURE CLASS 4 (-40°C TO 150°C)
33482-0402	LIGHT GRAY	B					SALEABLE	RECOMMENDED, TEMPERATURE CLASS 4 (-40°C TO 150°C)
33482-0403	BROWN	C					DESIGN CONCEPT	NOT RECOMMENDED, USE 33482-4403, SAME KEY IN DIFFERENT COLOR
33482-0404	GREEN	D					DESIGN CONCEPT	NOT RECOMMENDED, USE 33482-4404, SAME KEY IN DIFFERENT COLOR
33482-0406	BLACK	A		X			SALEABLE	RECOMMENDED, TEMPERATURE CLASS 4 (-40°C TO 150°C)
33482-0407	LIGHT GRAY	B		X			SALEABLE	RECOMMENDED, TEMPERATURE CLASS 4 (-40°C TO 150°C)
33482-0408	BROWN	C		X			DESIGN CONCEPT	NOT RECOMMENDED, USE 33482-4405, SAME KEY IN DIFFERENT COLOR
33482-0409	GREEN	D		X			DESIGN CONCEPT	NOT RECOMMENDED, USE 33482-4406, SAME KEY IN DIFFERENT COLOR
33482-0411	BLACK	A		X	X		SALEABLE	RECOMMENDED, TEMPERATURE CLASS 4 (-40°C TO 150°C)
33482-0412	LIGHT GRAY	B		X	X		SALEABLE	RECOMMENDED, TEMPERATURE CLASS 4 (-40°C TO 150°C)
33482-0413	BROWN	C		X	X		DESIGN CONCEPT	NOT RECOMMENDED, USE 33482-4407, SAME KEY IN DIFFERENT COLOR
33482-0414	GREEN	D		X	X		DESIGN CONCEPT	NOT RECOMMENDED, USE 33482-4408, SAME KEY IN DIFFERENT COLOR
33482-0416	BLACK	A	X	X	X	X	SALEABLE	RECOMMENDED, TEMPERATURE CLASS 4 (-40°C TO 150°C)
33482-0417	LIGHT GRAY	B	X	X	X	X	SALEABLE	RECOMMENDED, TEMPERATURE CLASS 4 (-40°C TO 150°C)
33482-0418	BROWN	C	X	X	X	X	DESIGN CONCEPT	NOT RECOMMENDED, USE 33482-4409, SAME KEY IN DIFFERENT COLOR
33482-0419	GREEN	D	X	X	X	X	DESIGN CONCEPT	NOT RECOMMENDED, USE 33482-4410, SAME KEY IN DIFFERENT COLOR
33482-0421	BLACK	A	X	X	X		SALEABLE	RECOMMENDED, TEMPERATURE CLASS 4 (-40°C TO 150°C)
33482-0422	BLACK	A				X	SALEABLE	RECOMMENDED, TEMPERATURE CLASS 4 (-40°C TO 150°C)
33482-0423	BLACK	A			X	X	SALEABLE	RECOMMENDED, TEMPERATURE CLASS 4 (-40°C TO 150°C)
33482-0424	BLACK	A			X		SALEABLE	RECOMMENDED, TEMPERATURE CLASS 4 (-40°C TO 150°C)
33482-0425	BLACK	A	X	X			SALEABLE	RECOMMENDED, TEMPERATURE CLASS 4 (-40°C TO 150°C)
33482-4403	DARK GRAY	C					SALEABLE	RECOMMENDED, TEMPERATURE CLASS 4 (-40°C TO 150°C)
33482-4404	STONE GRAY	D					SALEABLE	RECOMMENDED, TEMPERATURE CLASS 4 (-40°C TO 150°C)
33482-4405	DARK GRAY	C		X			SALEABLE	RECOMMENDED, TEMPERATURE CLASS 4 (-40°C TO 150°C)
33482-4406	STONE GRAY	D		X			SALEABLE	RECOMMENDED, TEMPERATURE CLASS 4 (-40°C TO 150°C)
33482-4407	DARK GRAY	C		X	X		SALEABLE	RECOMMENDED, TEMPERATURE CLASS 4 (-40°C TO 150°C)
33482-4408	STONE GRAY	D		X	X		SALEABLE	RECOMMENDED, TEMPERATURE CLASS 4 (-40°C TO 150°C)
33482-4409	DARK GRAY	C	X	X	X	X	SALEABLE	RECOMMENDED, TEMPERATURE CLASS 4 (-40°C TO 150°C)
33482-4410	STONE GRAY	D	X	X	X	X	SALEABLE	RECOMMENDED, TEMPERATURE CLASS 4 (-40°C TO 150°C)
33482-4411	BLACK	A		X		X	SALEABLE	RECOMMENDED, TEMPERATURE CLASS 4 (-40°C TO 150°C)

<b>REVISED</b> IEC NO. UAU2013-1473 2013/03/17 DRAWN BY: CHYK-APPROF/ITT 2013/03/20 APPR: VKOSHY 2013/03/20	QUALITY SYMBOLS ∇=0 ∇=0 ∇=0	GENERAL TOLERANCES (UNLESS SPECIFIED) mm      INCH		DIMENSION STYLE <b>MM ONLY</b>	SCALE DESIGN UNITS <b>METRIC</b>	THIRD ANGLE PROJECTION	
		4 PLACES ±0.10 3 PLACES ±0.15 2 PLACES ±0.20 1 PLACE ±0.30 0 PLACE ±	±0.10      ±0.15      ±0.20      ±0.30	±0.004      ±0.005      ±0.0075      ±0.0125	DRAWN BY: MYANSLAMBROU DATE: 04-27-06 CHECKED BY: DGRIFITHS DATE: 06-22-06 APPROVED BY: SMARCEAU DATE: 06-22-06	TITLE <b>MX150 2X2 BLADE SEALED ASSEMBLY MAT SEAL</b>	MATERIAL NO. <b>SEE BOM</b>