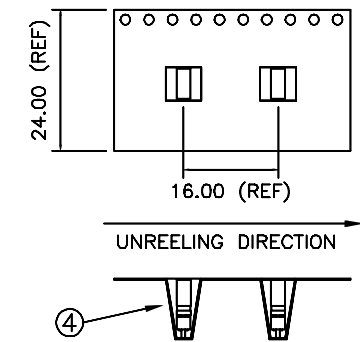
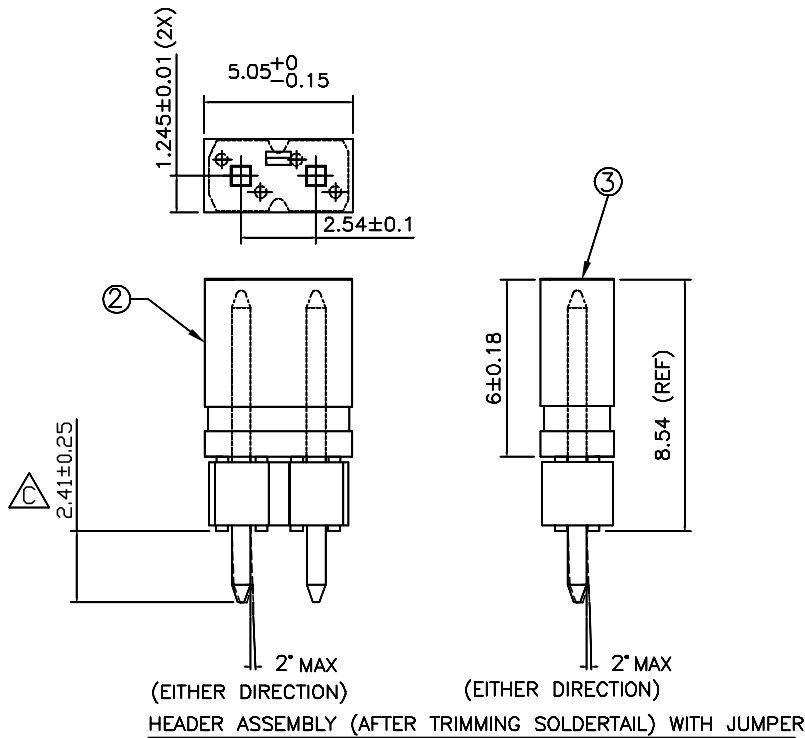
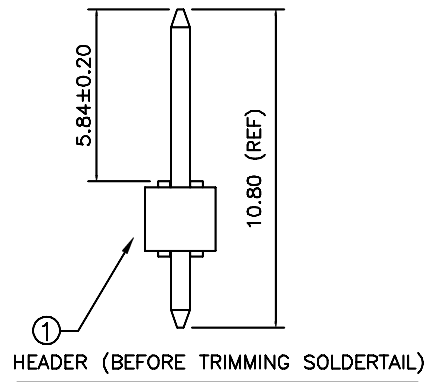


PART NO.
10103269-001LF



* RANDOM ORIENTATION OF CONNECTORS ALLOWED IN EMBOSSED TAPE.

TAPE AND REEL PACKAGING DETAILS



NOTES:

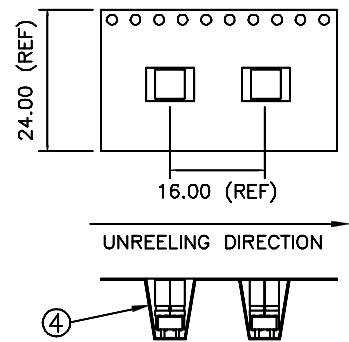
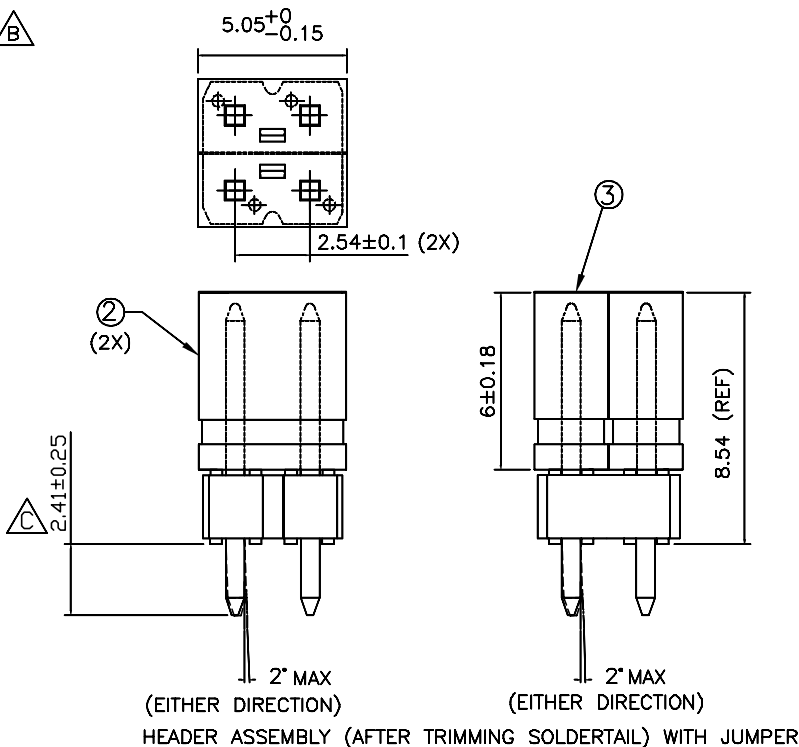
- 1) INSERTION FORCE - 12N MAX
- 2) WITHDRAWAL FORCE - 2N MIN
- 3) THIS PRODUCT MEETS THE EUROPEAN UNION DIRECTIVES AND OTHER COUNTRY REGULATIONS AS DESCRIBED IN GS-22-008.
- 4). MAY BE EITHER GOLD OR GXT PLATED AT MANUFACTURER'S OPTION

LIST OF MATERIAL

NO.	ITEM	PART NUMBER	MATERIAL
1	HEADER	77311-101-02LF	HOUSING: HIGH TEMPERATURE THERMOPLASTIC (BLACK)
			TERMINAL: PHOSPHOR BRONZE
			PLATING: 0.76 um GOLD/GXT ON CONTACT AND 2 um TIN MIN ON SOLDER TAILS.
2	JUMPER	63429-142LF	HOUSING: POLYESTER (BLACK)
			TERMINAL: PHOSPHOR BRONZE
			PLATING: 0.38 um GOLD OR GXT ON CONTACT AREA OVER 1.27um Ni (note 4)
3	KAPTON TAPE	10103270-001	POLYAMIDE
4	EMBOSS TAPE	10103271-001	CONDUCTIVE POLYMER
-	-	-	-

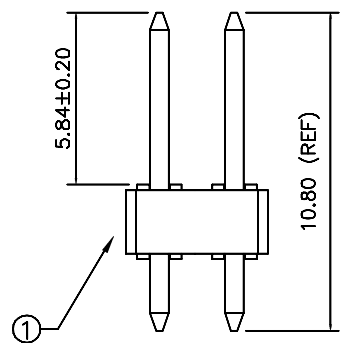
mat'l. code				surface ISO 1302 ✓		tolerance ISO 406 ISO 1101		projection MM		product family MINITEK	
tolerances unless otherwise specified				angles		linear		scale 10:1		title HEADER/JUMPER ASSEMBLY (2.54 mm)	
ltr	ecn no	dr	date	appd		chr		engr		dwg no	
1	CONCEPT	KHL	2009-03-25	JOEY NG		ANDREW YONG		KH LEE		sheet 1 of 2	
A	S09-0211	KHL	2009-06-25	JOEY NG		ANDREW YONG		KH LEE		size	
B	S10-0146	AY	2010-07-19	JOEY NG		ANDREW YONG		KH LEE		A	
C	ELX-N-14097	GM	2013-02-25	JOEY NG		ANDREW YONG		KH LEE		type	
D	ELX-N-14750	ZK	2013-05-14	JOEY NG		ANDREW YONG		KH LEE		Product Customer Drawing	
sheet index		revision sheet		D D		D D		D D		D D	
1		1		1		2		1		2	

PART NO.
10103269-002LF



* RANDOM ORIENTATION OF CONNECTORS ALLOWED IN EMBOSSED TAPE.

TAPE AND REEL PACKAGING DETAILS



HEADER (BEFORE TRIMMING SOLDERTAIL)

NOTES:

- 1) INSERTION FORCE - 24N MAX PER CONNECTOR PAIR
- 2) WITHDRAWAL FORCE - 4N MIN PER CONNECTOR PAIR
- 3) THIS PRODUCT MEETS THE EUROPEAN UNION DIRECTIVES AND OTHER COUNTRY REGULATIONS AS DESCRIBED IN GS-22-008.
- 4). MAY BE EITHER GOLD OR GXT PLATED AT MANUFACTURER'S OPTION

LIST OF MATERIAL

NO.	ITEM	PART NUMBER	MATERIAL
1	HEADER	77313-101-04LF	HOUSING: HIGH TEMPERATURE THERMOPLASTIC (BLACK)
			TERMINAL: PHOSPHOR BRONZE
			PLATING: 0.76 um GOLD/GXT ON CONTACT AND 2 um TIN MIN ON SOLDERTAILS.
2	JUMPER	63429-142LF	HOUSING: POLYESTER (BLACK)
			TERMINAL: PHOSPHOR BRONZE
			PLATING: 0.38 um GOLD OR GXT ON CONTACT AREA OVER 1.27um NI (note 4)
3	KAPTON TAPE	10103270-002	POLYAMIDE
4	EMBOSS TAPE	10103271-002	CONDUCTIVE POLYMER
-	-	-	-

mat'l. code		surface ISO 1302 ✓	tolerance ISO 406 ISO 1101	projection 	product family MINITEK
ltr	ecn no	dr	date	tolerances unless otherwise specified	title HEADER/JUMPER ASSEMBLY (2.54 mm)
D				angles linear ±0.25	MM scale 10:1
				±3°	dwg no 10103269
				dr KH LEE 2009-03-25	sheet 2 of 2 size A
				enr ANDREW YONG 2010-07-19	type Product Customer Drawing
				chr ANDREW YONG 2010-07-19	
				appd JOEY NG 2010-07-19	
sheet index	revision sheet				