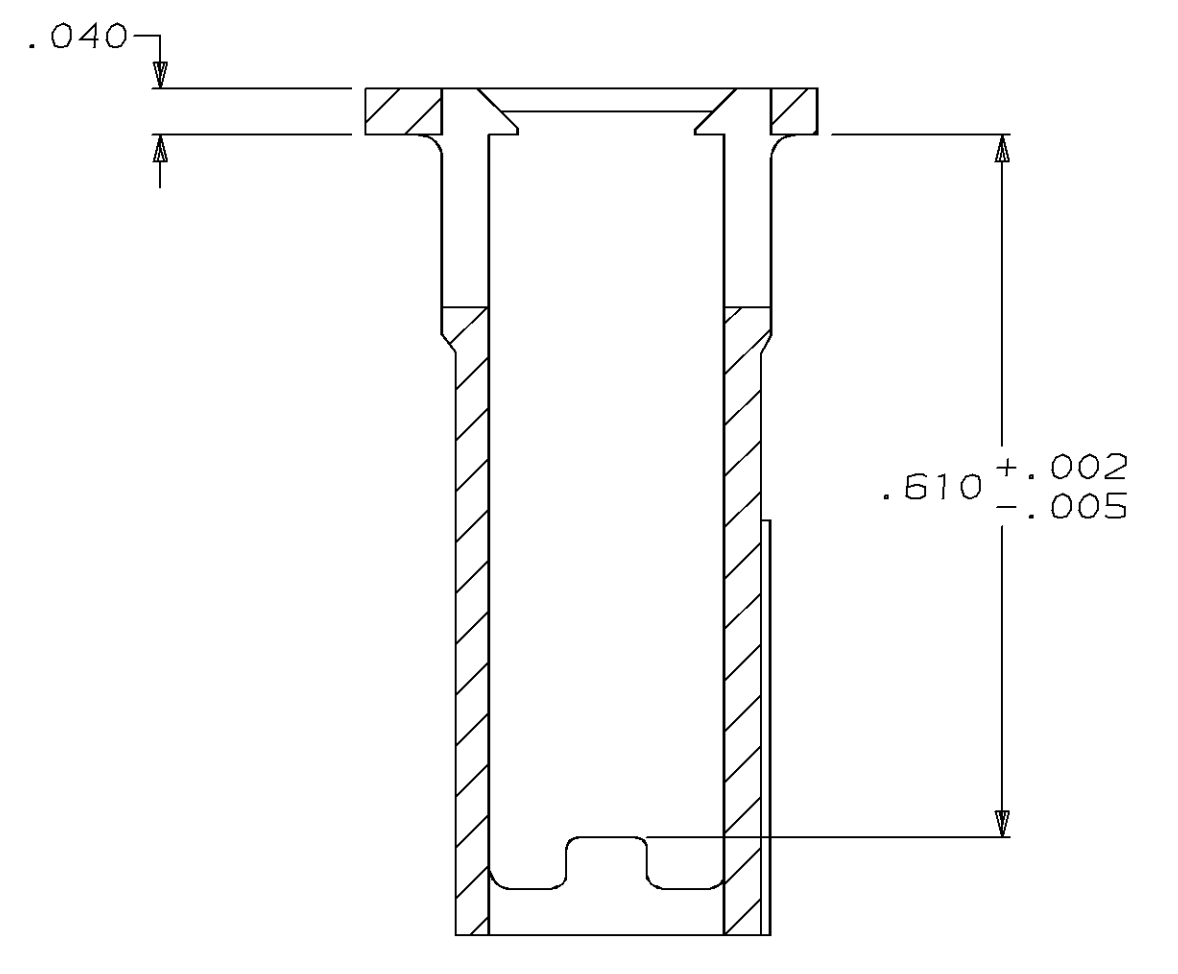
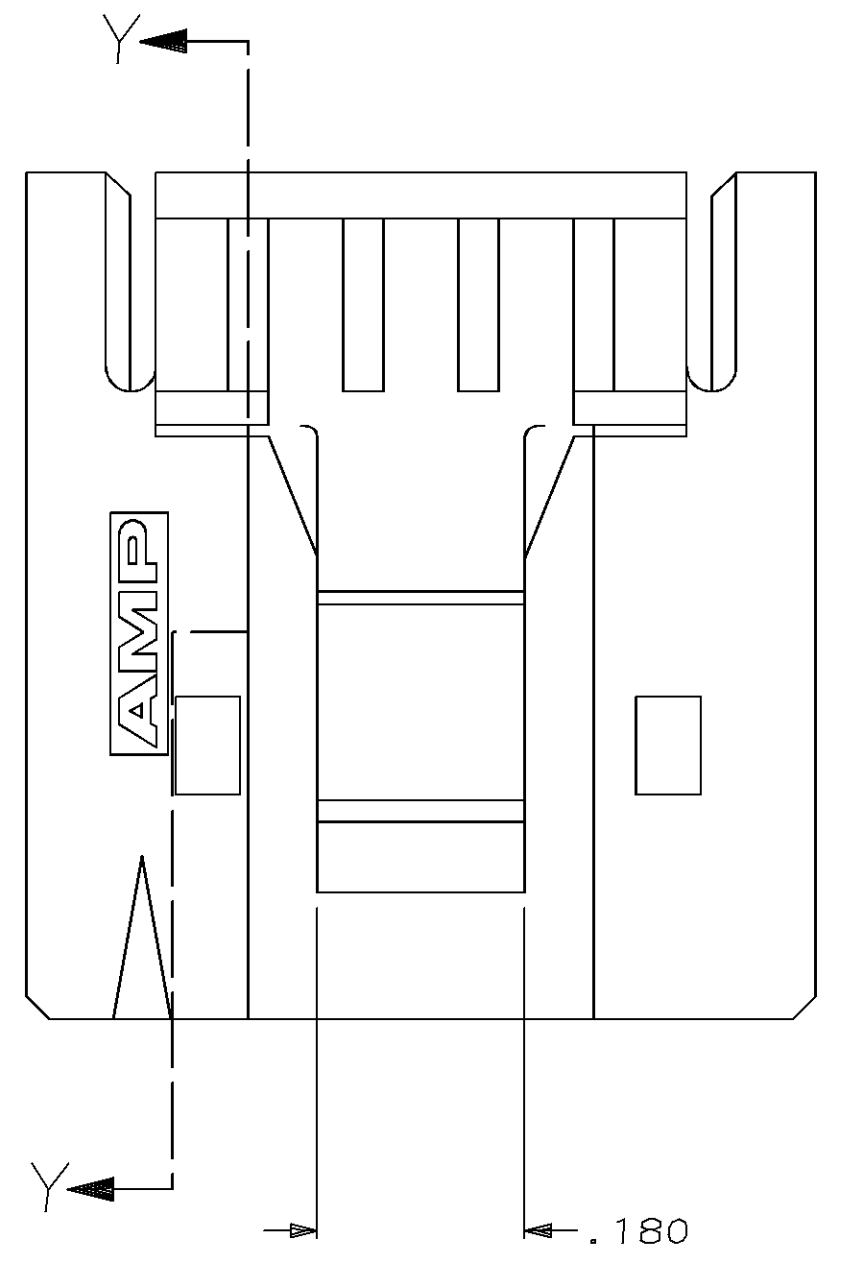
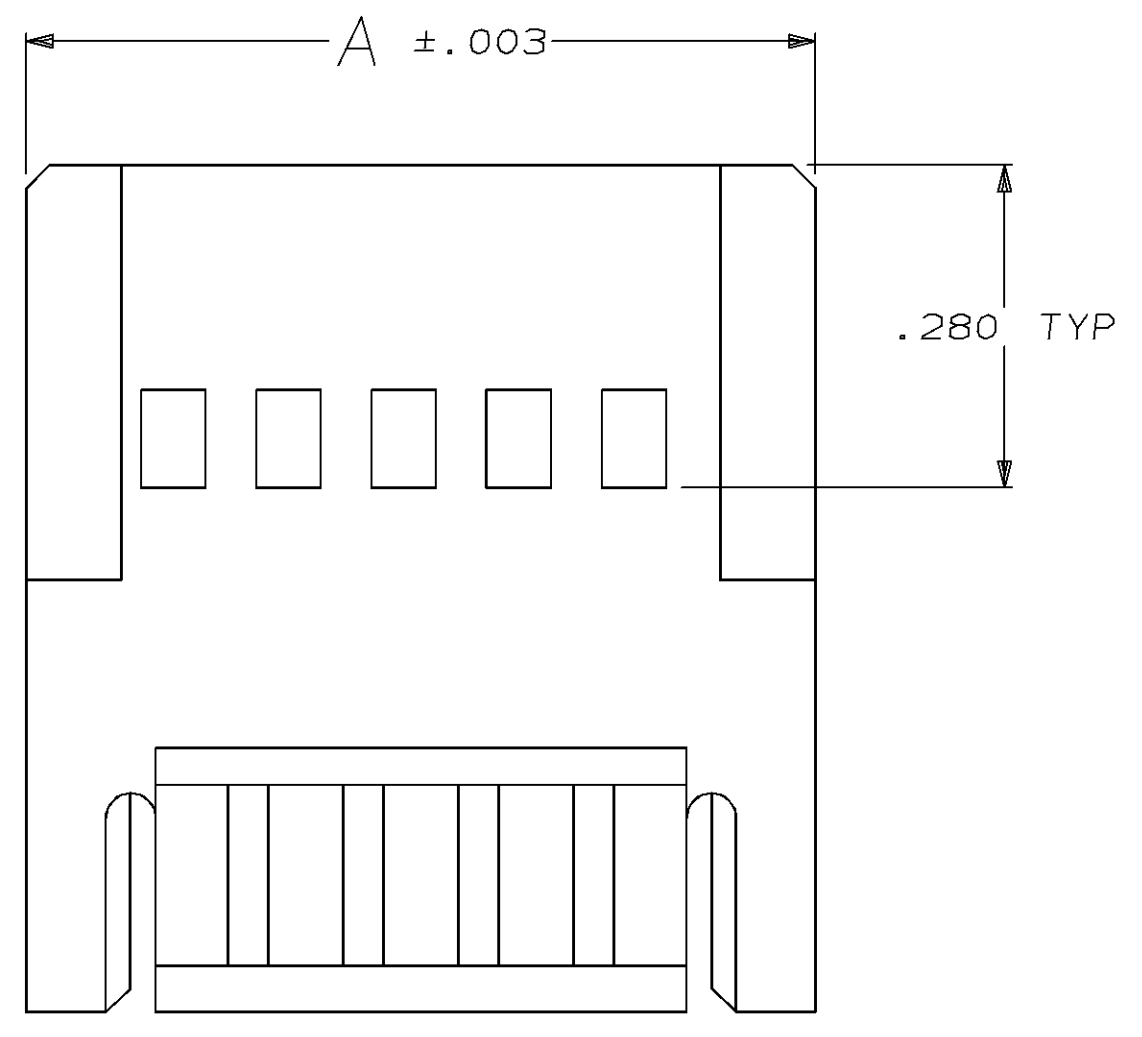
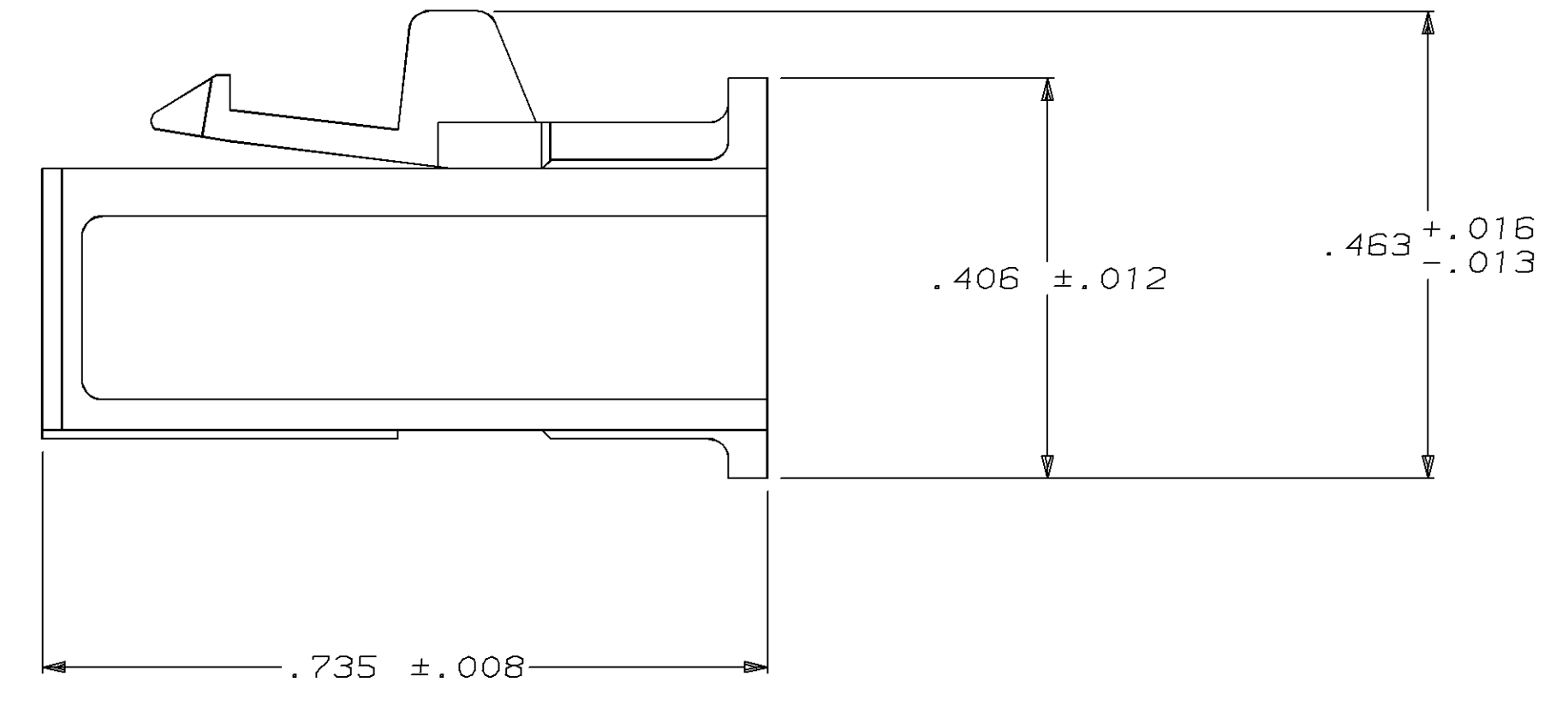
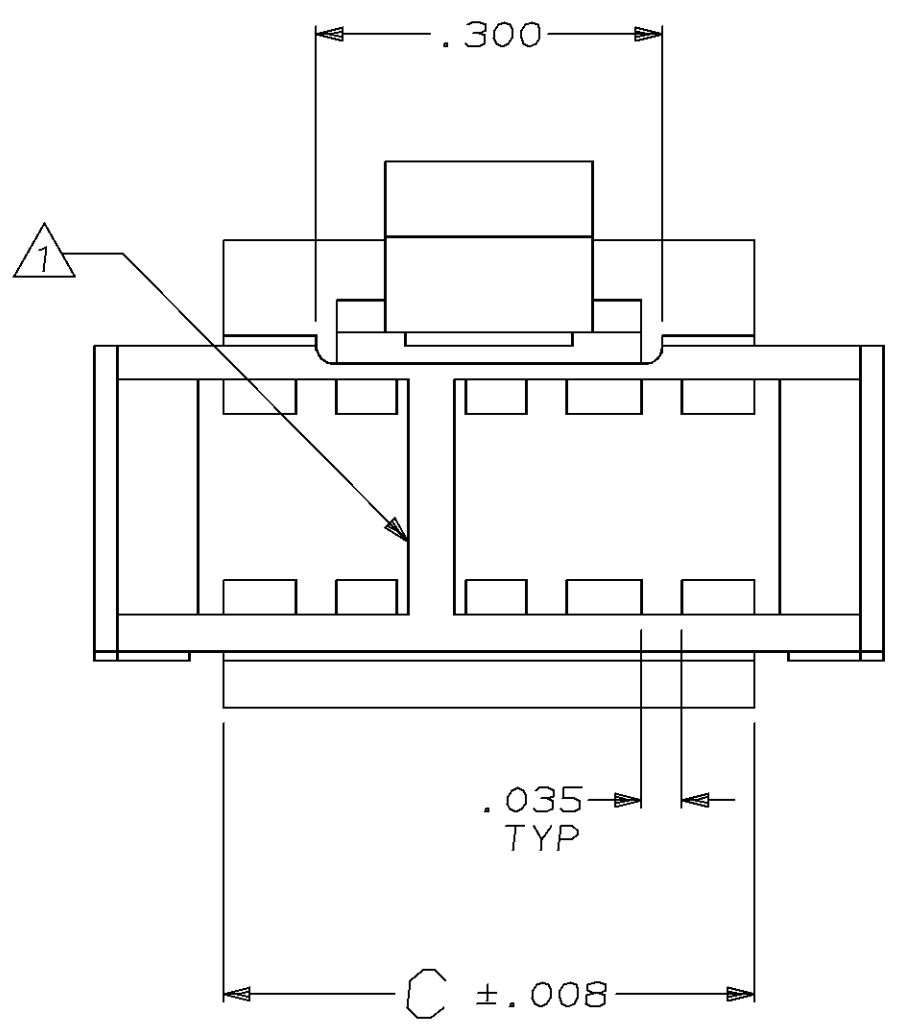


DRAWING MADE IN THIRD ANGLE PROJECTION
 THIS DRAWING IS UNPUBLISHED. RELEASED FOR PUBLICATION
 © COPYRIGHT 19 BY AMP INCORPORATED, HARRISBURG, PA. ALL INTERNATIONAL RIGHTS RESERVED. AMP PRODUCTS MAY BE COVERED BY U.S. AND FOREIGN PATENTS AND/OR PATENTS PENDING.

REVISE		DATE		BY		DESCRIPTION	
34	AD	39					RELEASED PR#3007
							REV LOC & DIST AD-4171
							REV PER 0010-0648-94



SEE TABLE FOR RIB QTY
 THIS COUPLING SHROUD IS TO BE USED WITH AMPMODU® MTE RECEPTACLE ASSEMBLIES WITH GUIDE RIBS
 THE NUMBER OF POSITIONS LISTED EQUALS THE TOTAL NUMBER OF POSITIONS WHICH CAN BE CONTAINED WITHIN THE COUPLING SHROUD



1	.460	.685	10	104588-1
RIB QTY	C	A	NO OF POSN	PART NUMBER

UNLESS OTHERWISE SPECIFIED DIMENSIONS ARE IN INCHES TOLERANCES ON:		DR 5-23-89 B MOYER		AMP INCORPORATED Harrisburg, Pa. 17105	
2 PL DEC ±-. 3 PL DEC ±.005 ANGLES ±-		CHK 6-12-89 H. MOLL			
MATERIAL: FLAME RETARDANT THERMOPLASTIC, COLOR - BLACK		APPD 6-12-89 C. SINISI		NAME CPLG SHROUD, DBL ROW W/O PLZN, AMPMODU® MTE	
FINISH:		APPD 6-12-89 FLINCHBAUGH		SIZE D	
		PRODUCT SPEC 108-25034		FSCM NO 00779	
		APPLICATION SPEC 114-25026		DRAWING NO 104588	
		WEIGHT -		SCALE 6:1	
				SHEET 1 OF 1	