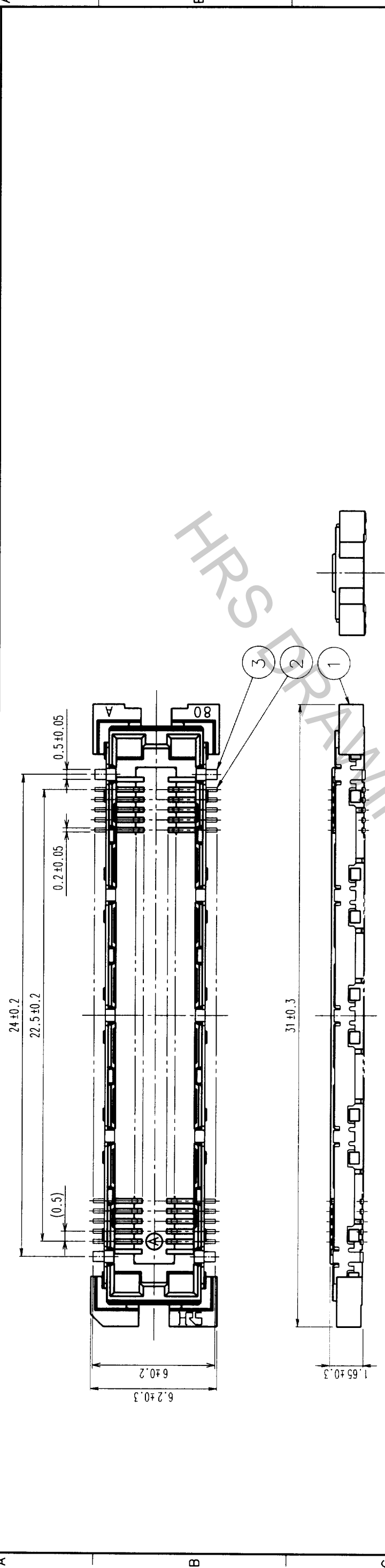
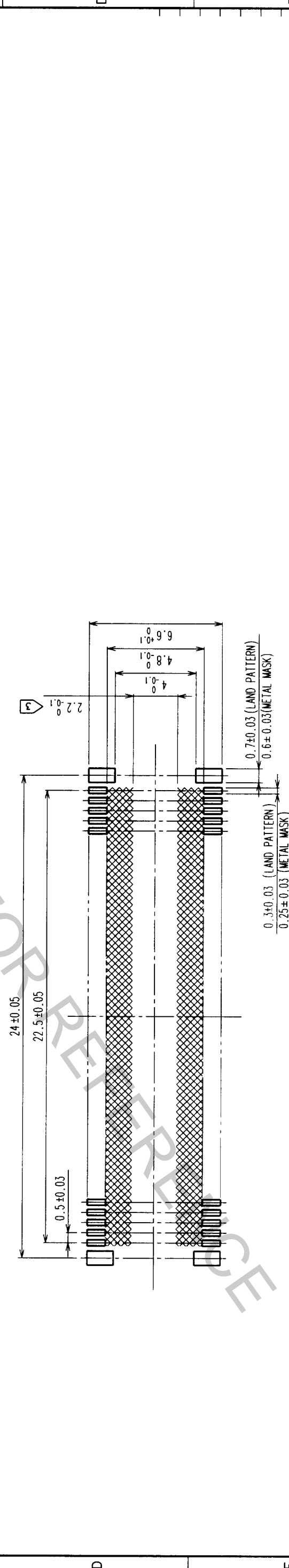


COUNT	DESCRIPTION OF REVISIONS	BY	CHKD	DATE	COUNT	DESCRIPTION OF REVISIONS	BY	CHKD	DATE
△				..	△				..
△				..	△				..
△				..	△				..



RECOMMENDED LAND PATTERN DIMENSION OF PCB



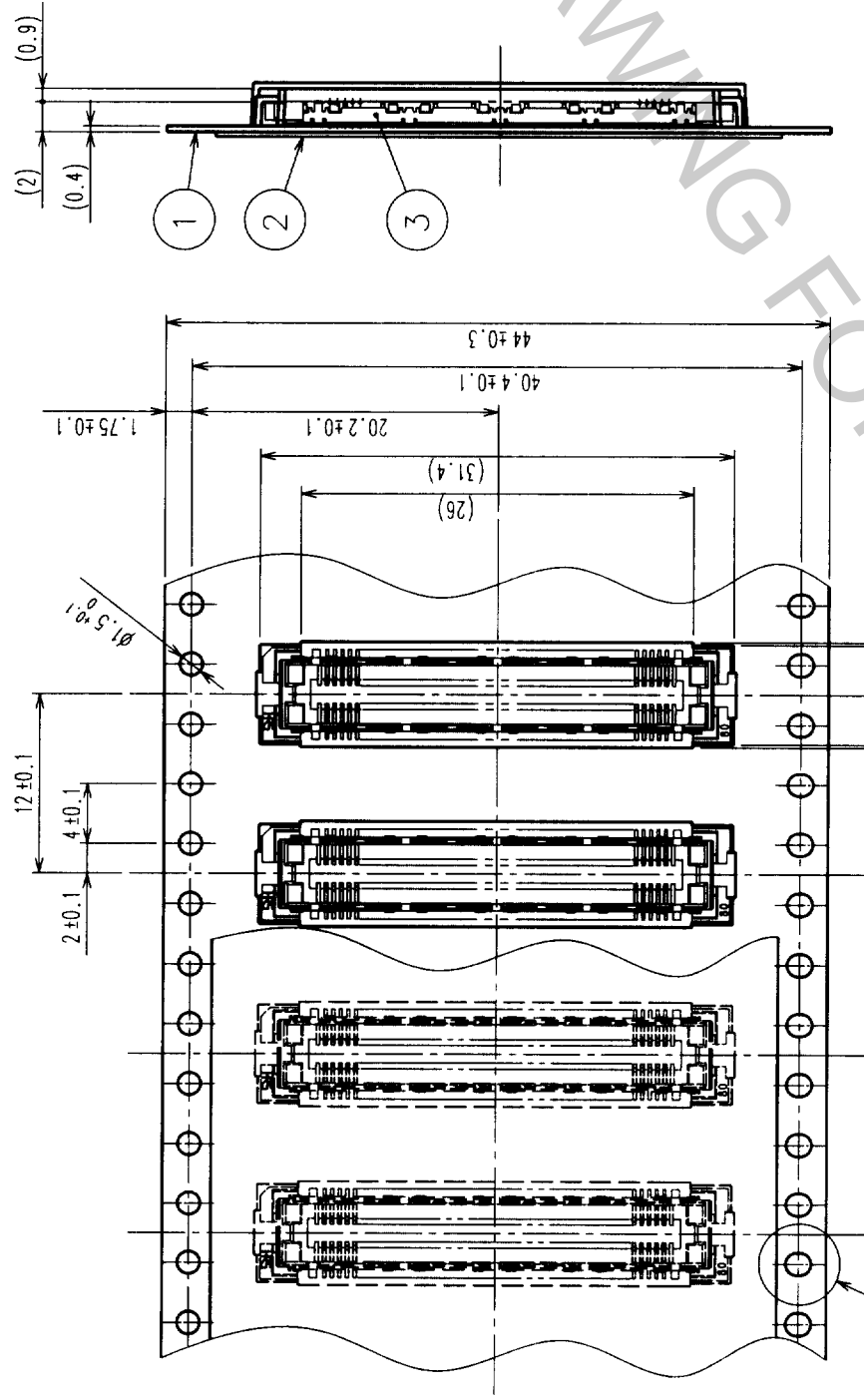
- NOTES
- SMT LEAD-COPLANARITY: 0.1 MAX.
 - THIS PRODUCT HAS NO POLARITY TO PATTERN FOR MOUNTING.
 - MAKE SURE WIDTH OF PATTERN IS WITHIN THAT OF LAND, OR LEAD MAY TOUCH PATTERN. (THIS APPLIES TO HATCHED AREA.)
 - TO BE EMBOSSED CARRIER TAPED AS SPECIFIED IN SHEET 2.

2	PHOSPHOR BRONZE	CONTACT AREA: GOLD (0.1μm) OVER NICKEL
1	LCP	LEAD: GOLD FLASH OVER NICKEL
NO.	MATERIAL	FINISH, REMARKS
3	PHOSPHOR BRONZE	TIN PLATED
CODE NO. (OLD)	CL	DRAWN
		CHECKED
		DESIGNED
		APPROVED
		RELEASED
DRAWING NO.	EDC3-152121-01	PART NO.
SCALE	5 : 1	FX11LB-92S-SV (21)
UNITS	mm	CODE NO.
		CL573-0153-2-21

TO	
PCK	

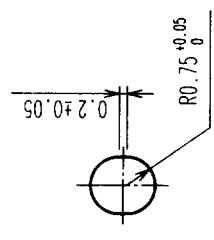
COUNT	DESCRIPTION OF REVISIONS	BY	CHKD	DATE	COUNT	DESCRIPTION OF REVISIONS	BY	CHKD	DATE
△					△				
△					△				
△					△				

REELED DIMENSION (Free)



THE DIRECTION OF PULLING OUT →

A (5:1)



- NOTES 1 1 REEL: 1000 CONNECTORS.
- 2 MINIMUM 10 COMPARTMENTS FROM BOTH REEL ENDS REMAIN EMPTY.
- 3 THIS PRODUCT HAS NO POLARITY TO TAPE AND REEL PACKAGING.

2	PET	TOP COVER TAPE	3	(CONNECTOR)
1	PS	EMBOSSED CARRIER TAPE	3	(CONNECTOR)
NO.	MATERIAL	FINISH, REMARKS	NO.	MATERIAL
CODE NO. (OLD) CL				
DRAWING FOR PACKING				
DRAWN <i>M. Takahashi</i>		DESIGNED <i>M. Takahashi</i>		CHECKED <i>M. Takahashi</i>
DATE 99.10.25		DATE 99.10.25		DATE 99.10.26
DRAWING NO. EDC3-152121-01		PART NO. FX11LB-92S-SV(21)		
SCALE 2 : 1	CODE NO. CL573-0153-2-21			
UNITS mm	HIROSE ELECTRIC CO., LTD.			

TO	
PCK	