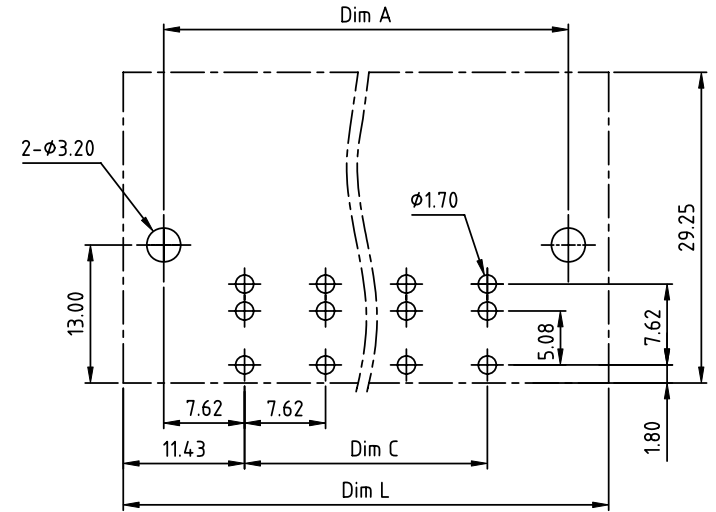
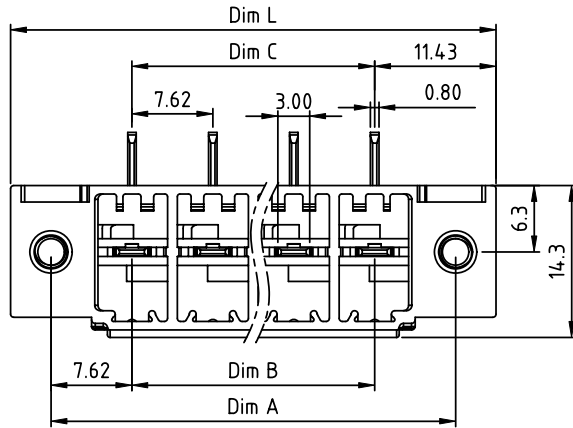
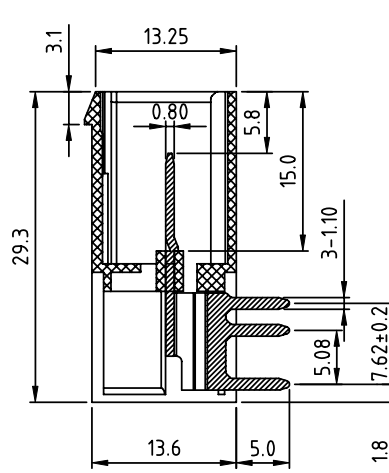
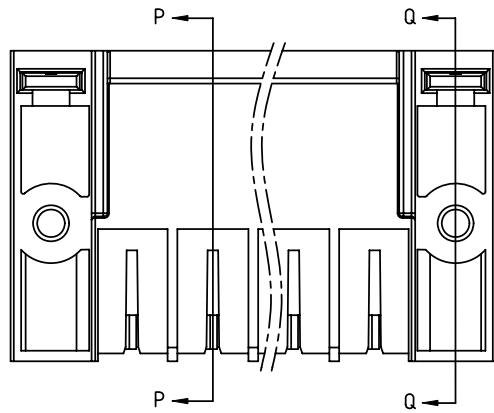


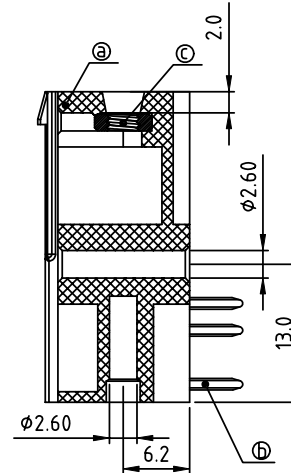
PRODUCT NUMBER	PITCH
VCxx01xB00J0G	7.62 mm



RECOMMENDED P.C.B LAYOUT  
TOP VIEW



SECTION P-P



SECTION Q-Q

Material:

- Item ① Terminal(housing): Thermoplastic (UL94V-0)
- Item ② Pin: Copper, Tin plated
- Item ③ With flange nut : Steel zinc plating M3

Electrical: cULus

- Voltage rating:300V
- Current rating:41A
- Withstanding Voltage:1.6 KV
- Operating temperature:-40°C to +115°C
- Soldering temperature:260°C±5°C/5 Sec
- Safety Approval:

DIMENSION

Dim L	(N-1)×7.62+22.86
Dim A	(N-1)×7.62+15.24
Dim B	(N-1)×7.62
Dim C	(N-1)×7.62

N=Number of poles

Poles	Tolerance
2p-5p	±0.20
6p-12p	±0.30
13p-16p	±0.40

PART NO.: VCxx01xB00J0G

	Color	RoHS compliant (lead<4% in copper Alloy)
Solid block	0 Black (RAL9005)	
No. of poles	2 Red (RAL3001/D)	
02 2 poles	3 Orange(RAL2011/P)	
03 3 poles	4 Yellow(RAL1018/A)	
...	5 Green(RAL6018/T)	
16 16 poles	6 Blue (RAL5015/A)	
	8 Grey(RAL7035/D)	
	9 White(RAL1102)	
	C Green(RAL6018/U)	

mat'l. code	surface ASME Y14.5	tolerance ASME Y14.5	projection	product family
ltr	ecn	no	dr	date
	angles	φ	φ	
	X±1°	X.±0.5	X.X±0.3	X.XX±0.1
dr	EVIN ZHONG	050714		
enr	EVIN ZHONG	050714		
chr	HANKE FENG	050714		
appd	SHI JUN	050714		
sheet index	revision	A		
	sheet	1		



title	TERMINAL BLOCK
TERMINAL BLOCK PLUGGABLE SOCKET,RIGHT ANGLE,WITH FLANGE THREE TAILS TYPE,MOUNTING ONTO THE PCB	
scale	MM
dwg no	VCxx01xB00J0G
sheet 1 of 1	size A4
type	CUSTOMER Drawing