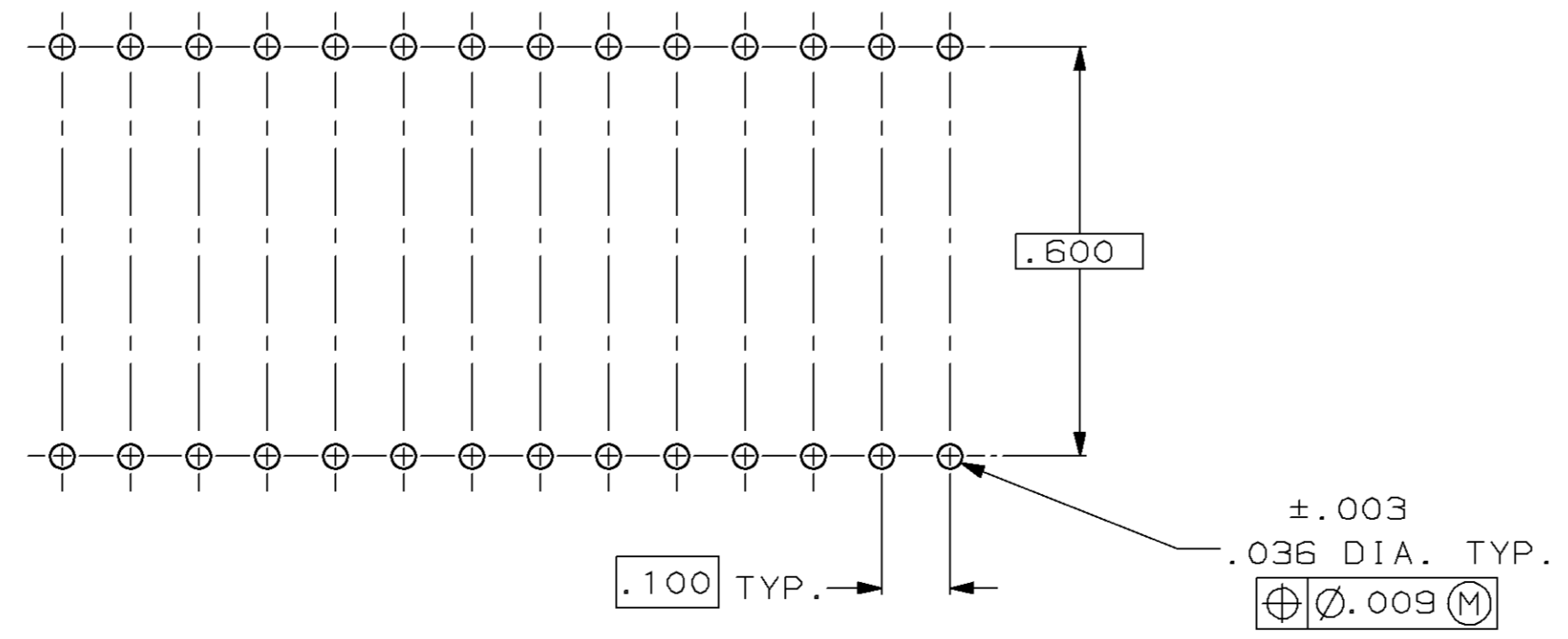
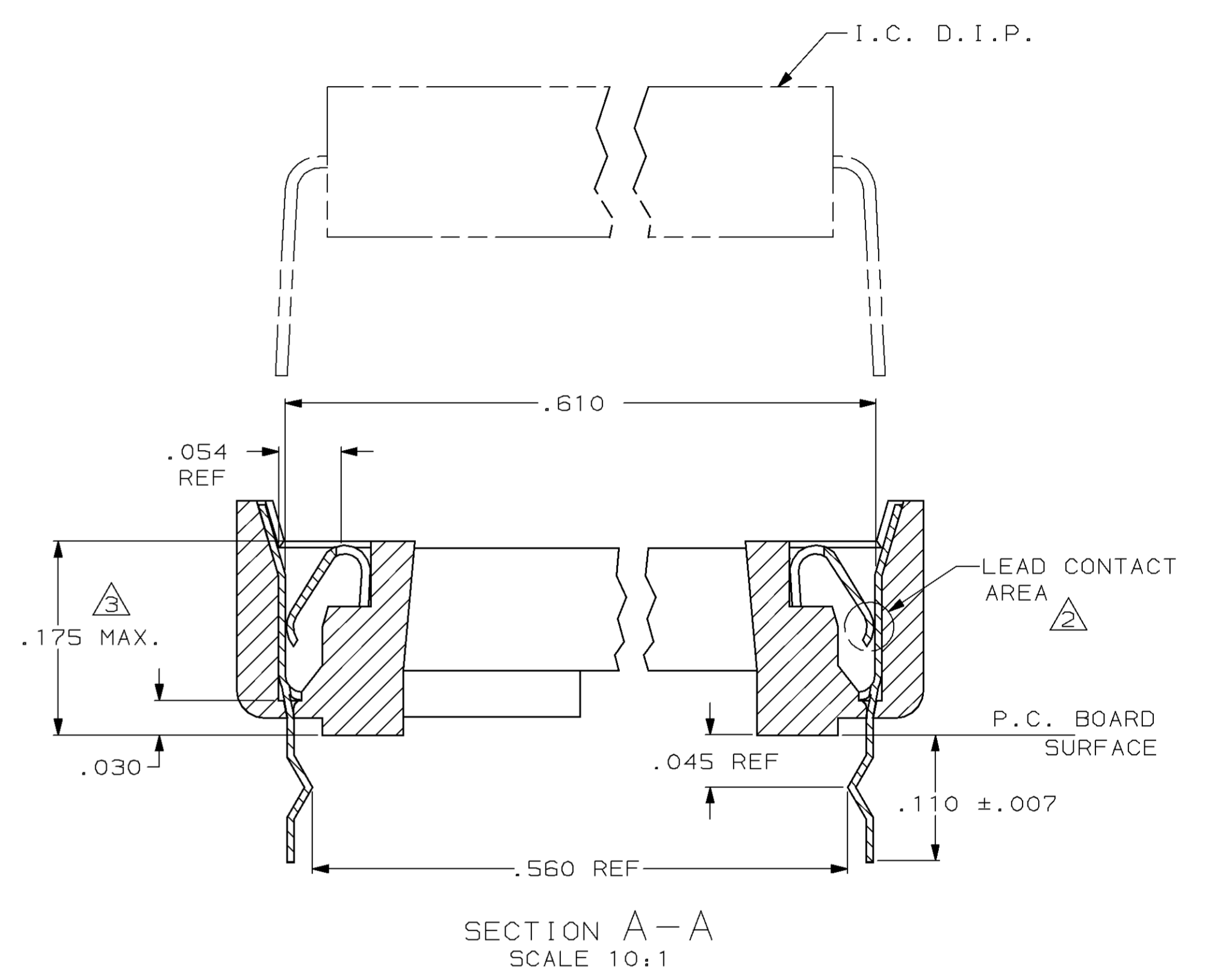
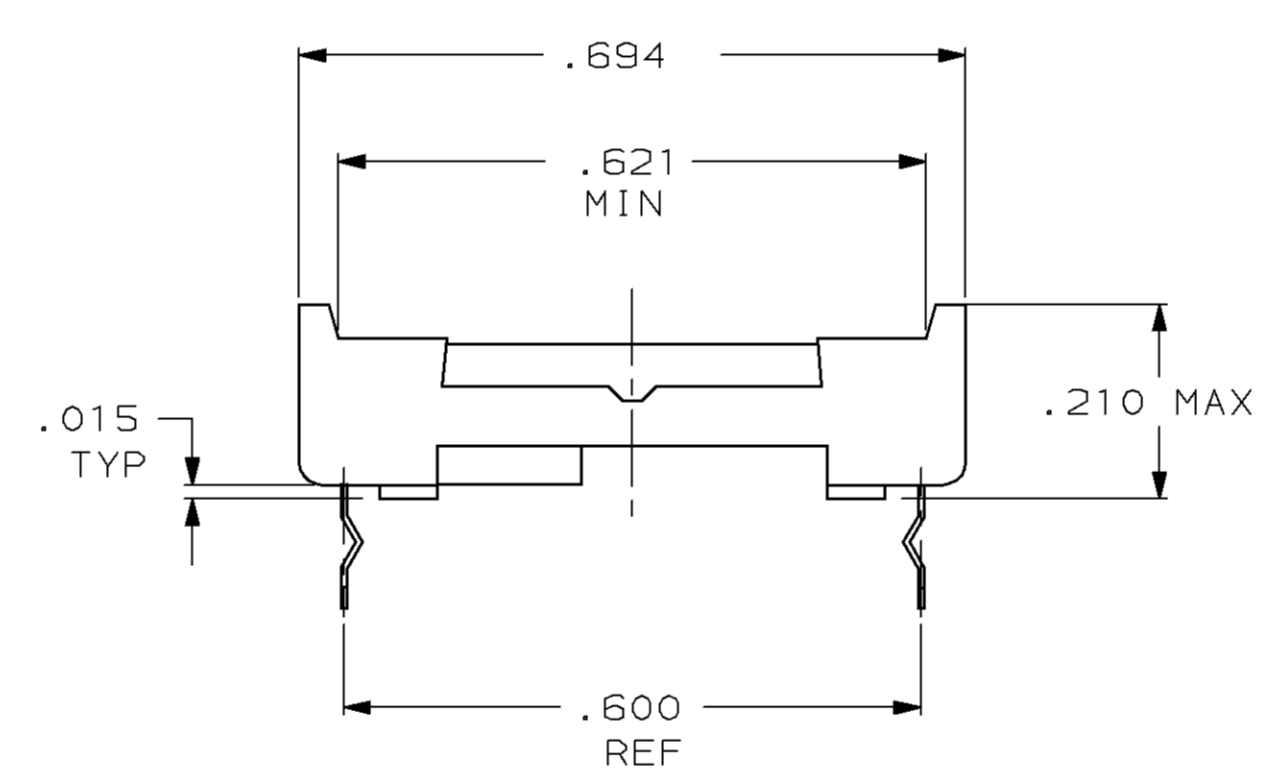
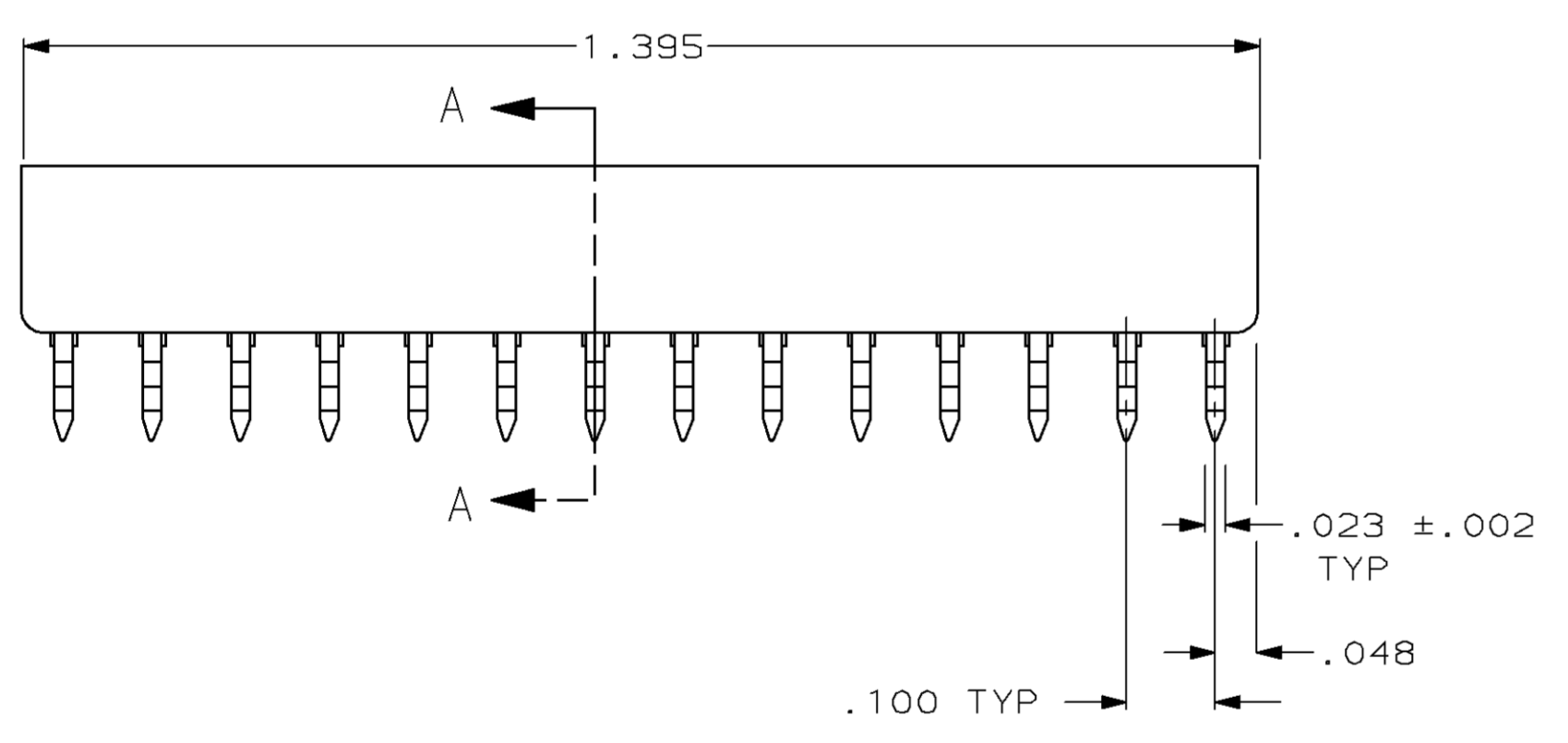
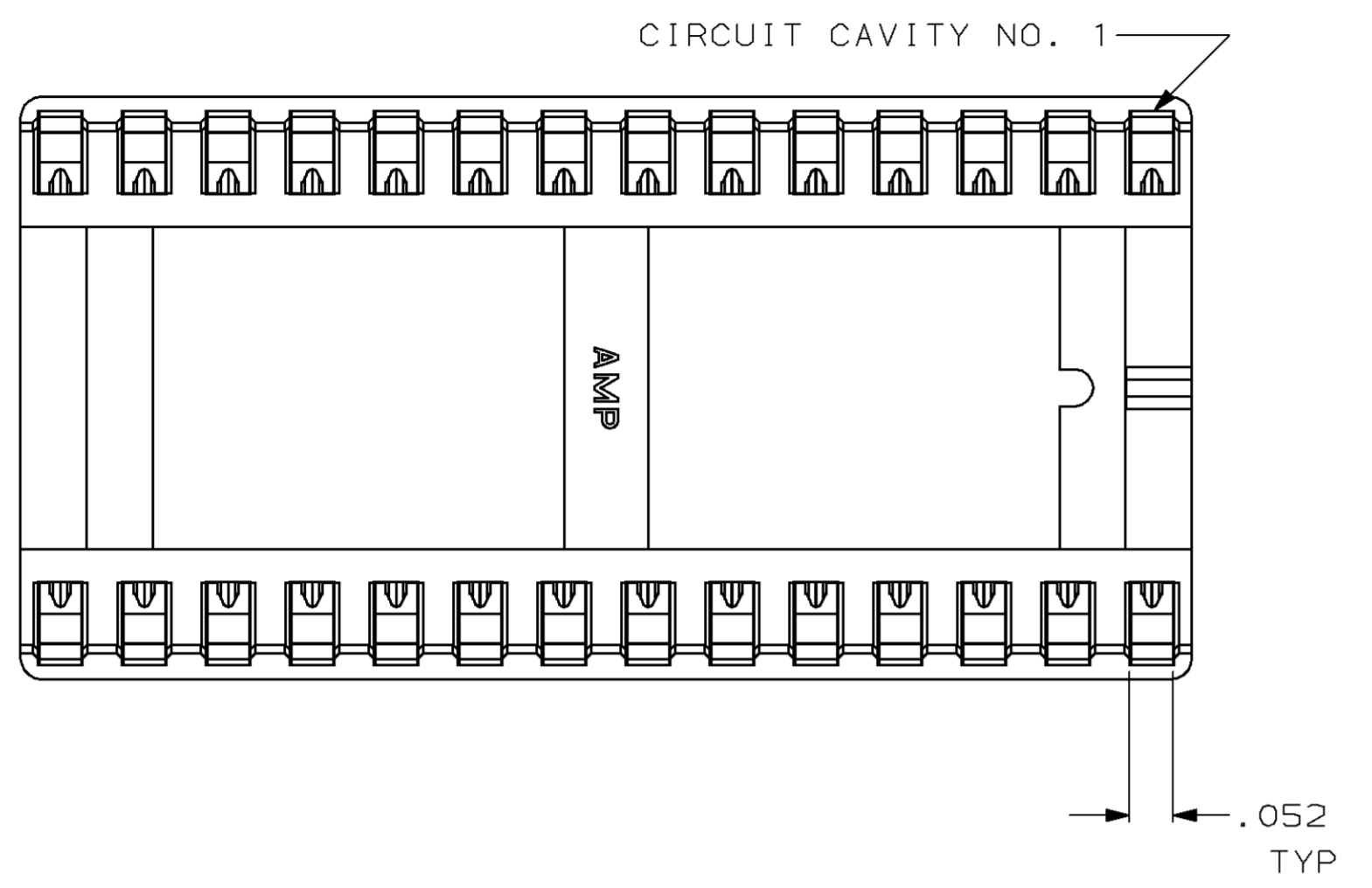


DRAWING MADE IN THIRD ANGLE PROJECTION
 THIS DRAWING IS UNPUBLISHED. RELEASED FOR PUBLICATION
 © COPYRIGHT 19 BY AMP INCORPORATED, HARRISBURG, PA. ALL INTERNATIONAL RIGHTS RESERVED. AMP PRODUCTS MAY BE COVERED BY U.S. AND FOREIGN PATENTS AND/OR PATENTS PENDING.

LOC		DIST		REV		REVISIONS		DATE	APPD
FT	64	P	F	ZONE	LTR	DESCRIPTION			
				F1		RE-DISTRIBUTED	8-17-95	RT	AH
				G		REV PER EC 0320-138-97	01 MAY 97	GJ	

- RECEPTACLE ACCEPTS A .008-.014 THICK I.C. LEAD.
- TWO .000030 MIN THK. GOLD STRIPES IN CONTACT AREA WITH TIN-LEAD (93/7) ON CONTACT LEGS, BALANCE OF CONTACT NICKEL PLATED.
- MAXIMUM DIMENSION FOR I.C. SEATING PLANE.



RECOMMENDED MOUNTING HOLE PATTERN
SCALE 4:1

OBSOLETE	BE.CU. .006 THK	GLASS-FILLED THERMOPLASTIC, 94V-0, BLACK	641856-2
	TINNED	GLASS-FILLED THERMOPLASTIC, 94V-0, BLACK	641856-1
CONTACT FINISH	CONTACT MAT'L	HOUSING MATERIAL	PART NO.

UNLESS OTHERWISE SPECIFIED DIMENSIONS ARE IN INCHES TOLERANCES ON :		DR	M.CYRUS	6-11-87	PART NO	
2 PL DEC ± .		CHK	R.MILLER	6-18-87	AMP INCORPORATED Harrisburg, Pa. 17105	
3 PL DEC ± .005		APPD	J.LAMBERT	6-18-87	NAME	
ANGLES ± .		APPD			SOCKET ASSY, DIP, LADDER, SHORT RET LEG, 28 POS, DIPLOMATE™ DL	
MATERIAL	SEE TABLE	PRODUCT SPEC	108-1066	SIZE	F5CM NO	DRAWING NO
FINISH	SEE TABLE	APPLICATION SPEC	114-1049	D	00779	641856
WEIGHT	-	SCALE	5:1	SHEET	1 OF 1	