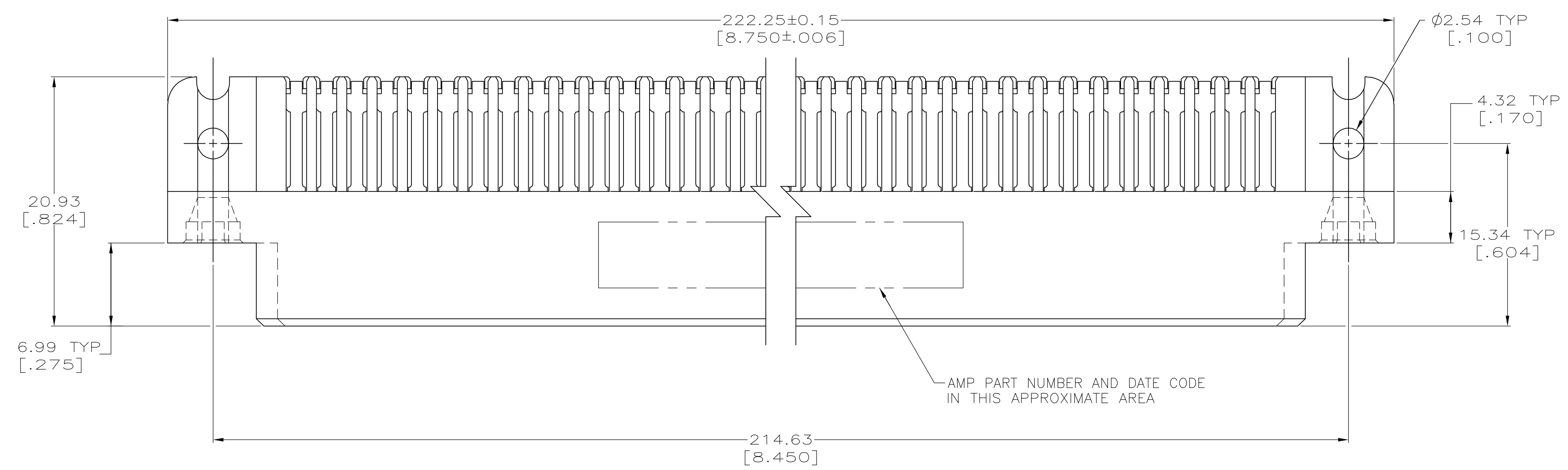
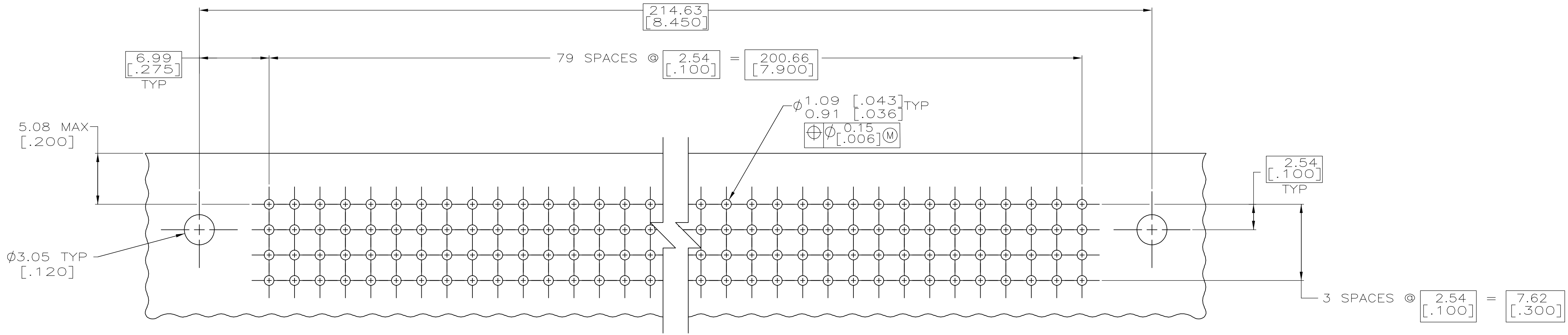
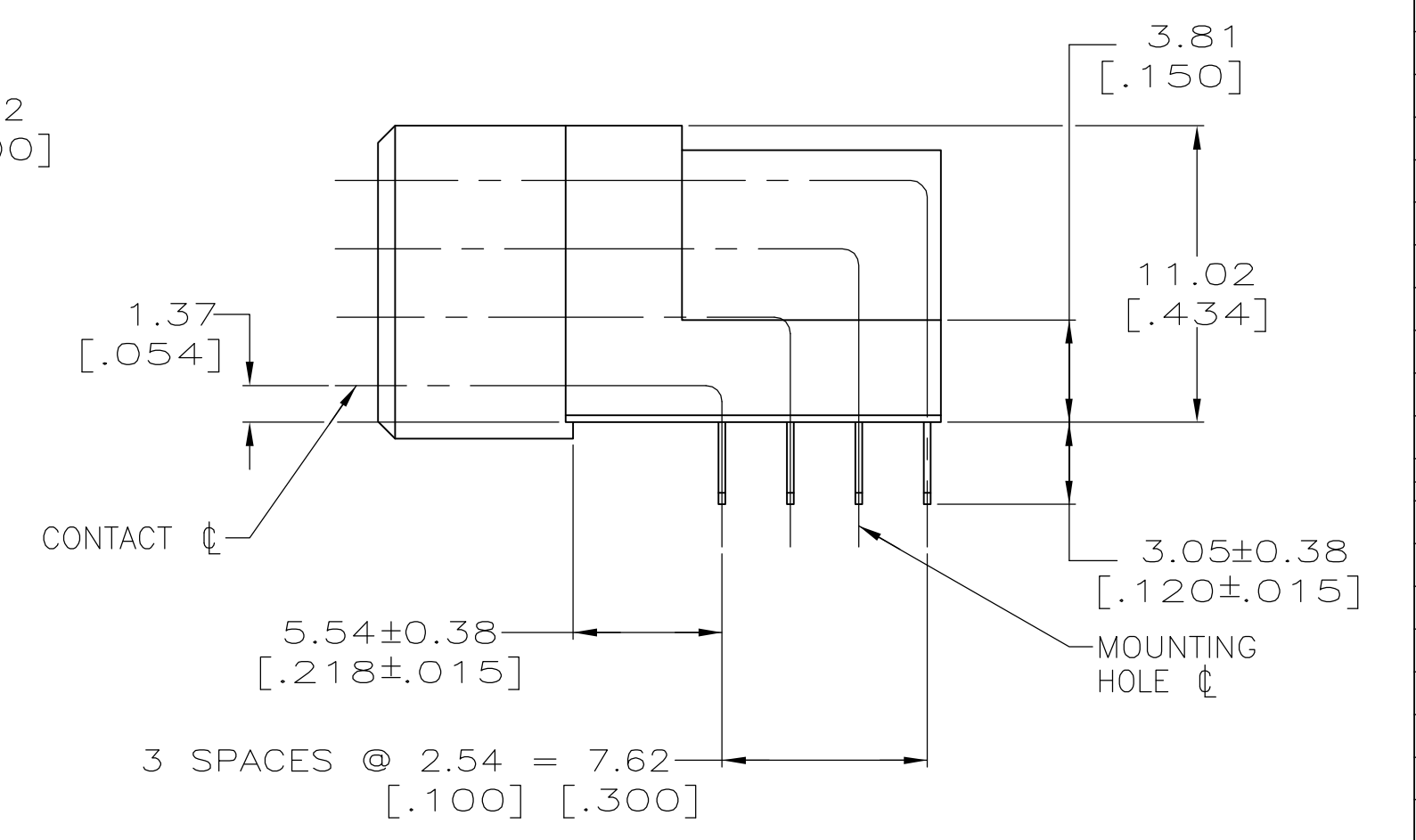
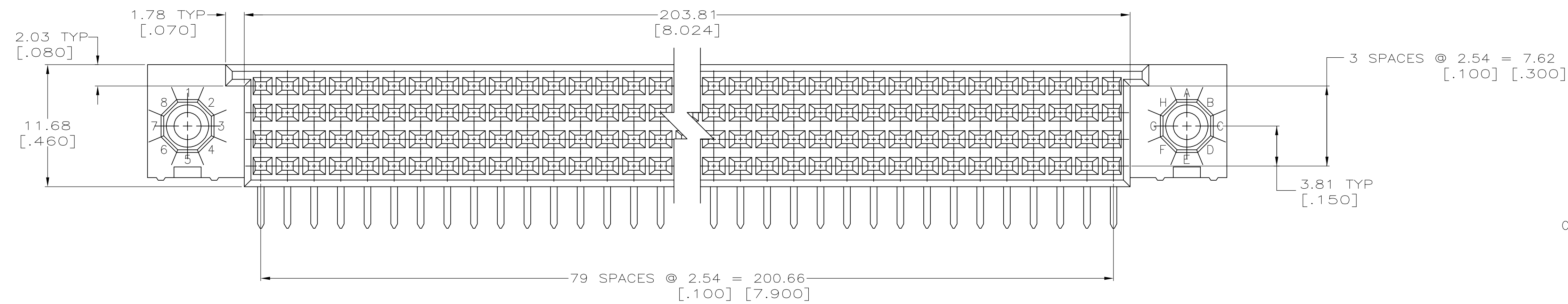


LOC		DIST		REVISIONS			
F	LTR	DESCRIPTION	DATE	DWN	APPR		
0		RELEASED PER EC 0512-0007-05	29JUN05	JDP	AMS		



- △1 HOUSING MATERIAL: THERMOPLASTIC.
- △2 CONTACT MATERIAL: COPPER ALLOY.
- △3 CONTACT FINISH: 0.00127-0.00254 [.000050-.000100] NICKEL UNDERPLATE ALL OVER WITH 0.00076 [.000030] GOLD IN CONTACT AREA AND 0.000254-0.00508 [.000100-.000200] TIN PLATED POSTS.



RECOMMENDED P. C. BOARD LAYOUT

5536958-1  
 PART NUMBER

THIS DRAWING IS A CONTROLLED DOCUMENT.		DWN J. POLIGNONE 29JUN05		Tyco Electronics Corporation Harrisburg, Pa 17105-3608
DIMENSIONS: mm (INCHES)		CHK A. SHARPE 29JUN05		NAME: ASSEMBLY, RECEPTACLE, RIGHT ANGLE, INTEGRAL, TBC, LEAD-FREE, 4 ROW, WITHOUT GUIDES.
TOLERANCES UNLESS OTHERWISE SPECIFIED:		APP'D A. SHARPE 29JUN05	PRODUCT SPEC	APPLICATION SPEC
0 PLC	± -		SIZE: 3.05 [.120] SOLDER POSTS, 620 POSITION	RESTRICTED TO
1 PLC	± -		SIZE: 0.15 [.006] M	RESTRICTED TO
2 PLC	± 0.15 [.005]		SIZE: 0.15 [.006] M	RESTRICTED TO
3 PLC	± -		SIZE: 0.15 [.006] M	RESTRICTED TO
4 PLC	± -		SIZE: 0.15 [.006] M	RESTRICTED TO
ANGLES	± -		SIZE: 0.15 [.006] M	RESTRICTED TO
FINISH	± -		SIZE: 0.15 [.006] M	RESTRICTED TO
MATERIAL		WEIGHT -	A1 00779 ©=5536958	RESTRICTED TO
		CUSTOMER DRAWING	SCALE: 4:1	SHEET 1 OF 1