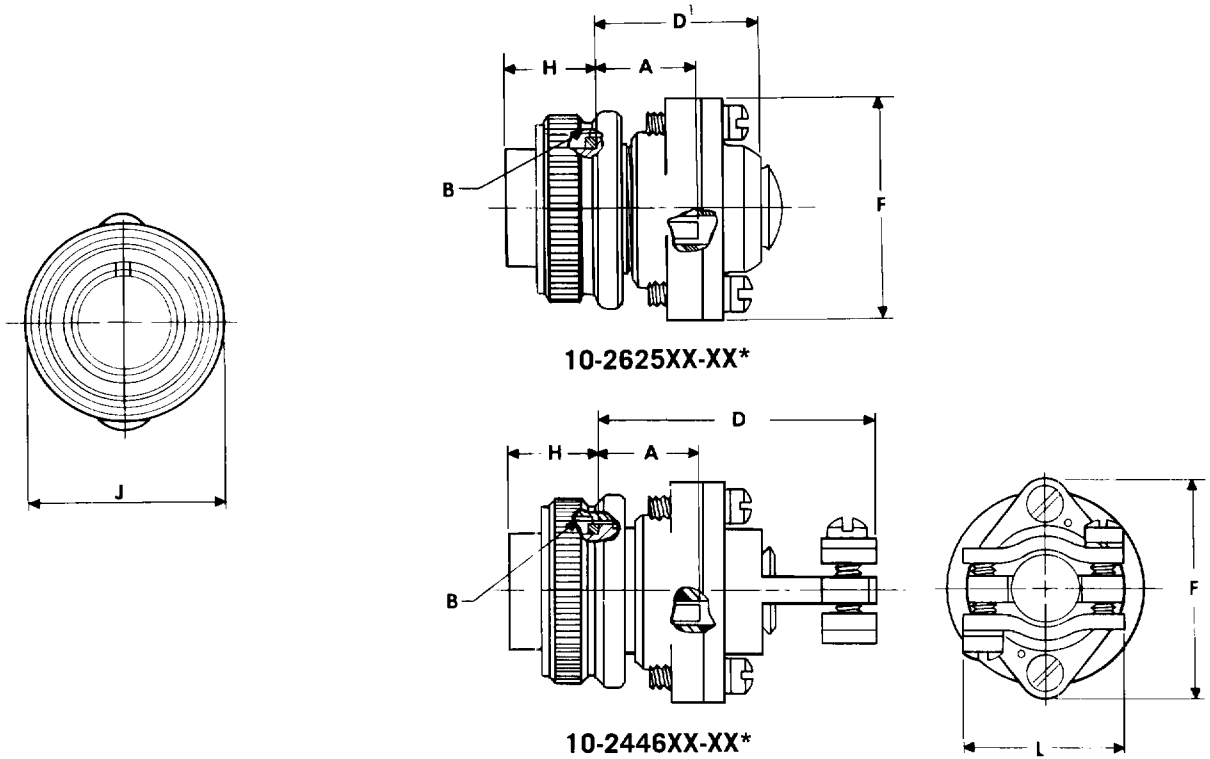


10-2446

straight plug



*To complete order number, see page 10.
For insert and grommet availability, see page 12.

Order Number*		Shell Size	A ±.045	B Thread Class 2B	D Max.	D ¹ Max.	H ±.005	J Dia. Max.	F Dia. Max.	L Max.
Without Strain Relief	With Strain Relief									
10-262581	10-244610	10S	.609	.6250-24UNEF	1.661	1.057	.531	.869	1.026	.775
10-262582	10-244611	10SL	.609	.6250-24UNEF	1.661	1.057	.531	.945	1.120	.837
10-262583	10-244612	12S	.609	.7500-20UNEF	1.661	1.057	.531	.955	1.120	.837
10-262584	10-244613	12	.812	.7500-20UNEF	1.817	1.212	.719	.955	1.120	.837
10-262585	10-244614	14S	.609	.8750-20UNEF	1.661	1.057	.531	1.123	1.307	.963
10-262586	10-244615	14	.812	.8750-20UNEF	1.817	1.212	.719	1.123	1.307	.963
10-262587	10-244616	16S	.609	1.0000-20UNEF	1.661	1.057	.531	1.250	1.432	1.087
10-262588	10-244617	16	.812	1.0000-20UNEF	1.942	1.212	.719	1.250	1.432	1.087
10-262589	10-244618	18	.812	1.1250-18UNEF	1.942	1.212	.719	1.333	1.557	1.150
10-262590	10-244620	20	.812	1.2500-18UNEF	1.942	1.212	.719	1.461	1.744	1.399
10-262591	10-244622	22	.812	1.3750-18UNEF	1.942	1.212	.719	1.588	1.869	1.399
10-262592	10-244624	24	.812	1.5000-18UNEF	2.021	1.291	.719	1.715	1.994	1.587
10-262593	10-244628	28	.812	1.7500-18UNS	2.021	1.291	.719	1.968	2.166	1.587

All dimensions for reference only