

4

3

2

1

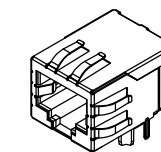
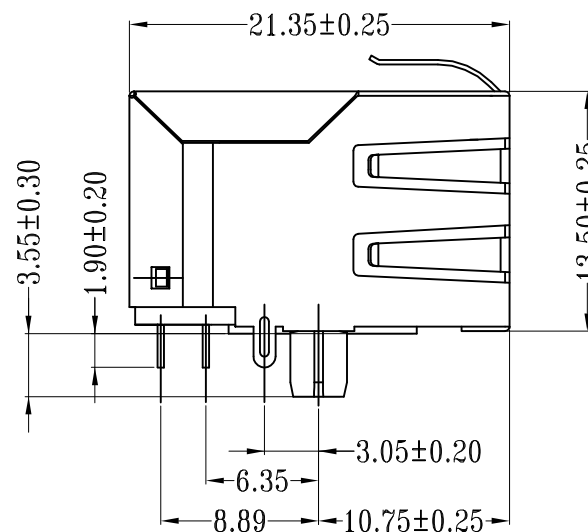
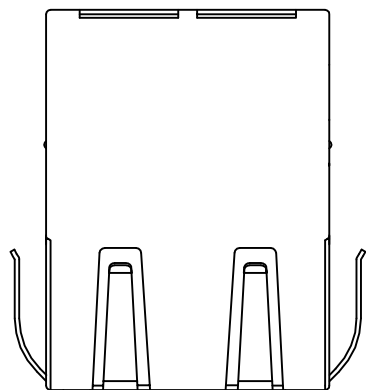
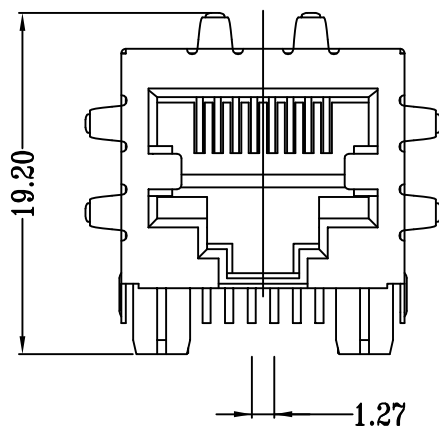
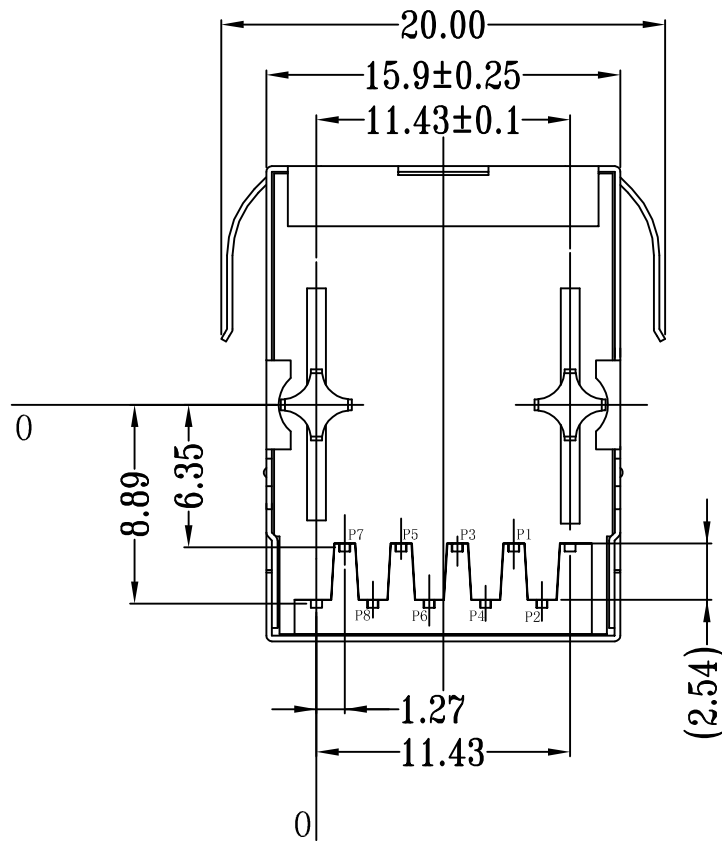
THIS DRAWING IS UNPUBLISHED RELEASED FOR PUBLICATION - ,2017.

© COPYRIGHT 2013 By TE CONNECTIVITY

ALL RIGHTS RESERVED.

REVISIONS

P	LTR	DESCRIPTION	DATE	DWN	APVD
	A1	COMPILE THE PACKAGING SPECIFICATION	23DEC2016	GCM	MF



1:1

- 1 CONNECTOR MATERIAL:
HOUSING: LCP BLACK UL94 V-0
INSERT: LCP BLACK UL94 V-0
SHIELD: BRASS
SHIELD PLATING: NICKEL
CONTACT: COPPER ALLOY
CONTACT PLATING: SELECTIVE GOLD, 0.76 μm(30 μ inch) MIN. IN CONTACT AREA
OVER MIN. 1.27μm (50μinch) NICKEL
SOLDER PIN PLATING: 3.05μm (120μinch) TIN OVER 1.02μm (40μinch) NICKEL OVER ALL
SHIELDING PIN PLATING: NICKEL
- 2 PIN NOT ELECTRICALLY CONNECTED MAYBE OMITTED SEE ELECTRICAL DRAWING FOR OMITTED PINS
- 3 RJ45 CAVITIES CONFORM TO FCC RULES AND REGULATION PART 68.
- 4 THE PART IS RECOMMENDED FOR REFLOW SOLDERING PROCESS PEAK SOLDERING:TEMPERATURE MAX. 260° C , MAX.10s
- 5 OPERATING TEMPERATURE T = -40° C TO +85° C.
- 6 STORAGE TEMPERATURE T = -40° C TO +85° C.
- 7 UNLESS OTHERWISE SPECIFIED, SEE TABLE FOR ALL DIMENSIONS TOLERANCES
- 8 JACK CONFIGURATION: 1 x 1
TAB DIRECTION: DOWN
- 9. PACKAGING: TRAY ACCORDING TO PACKAGING SPECIFICATION 107-18116



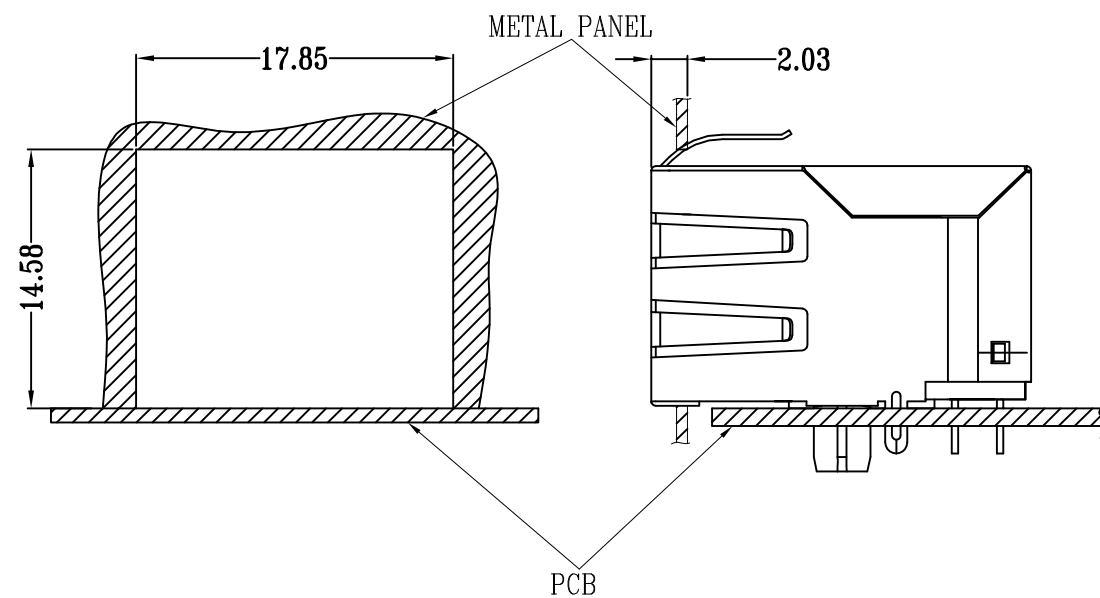
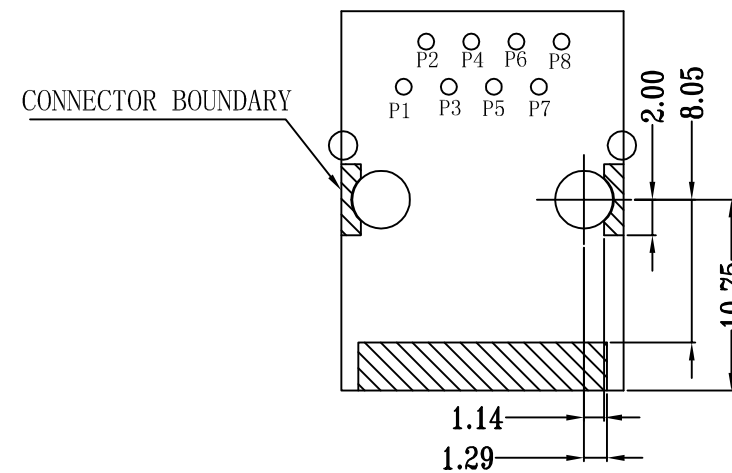
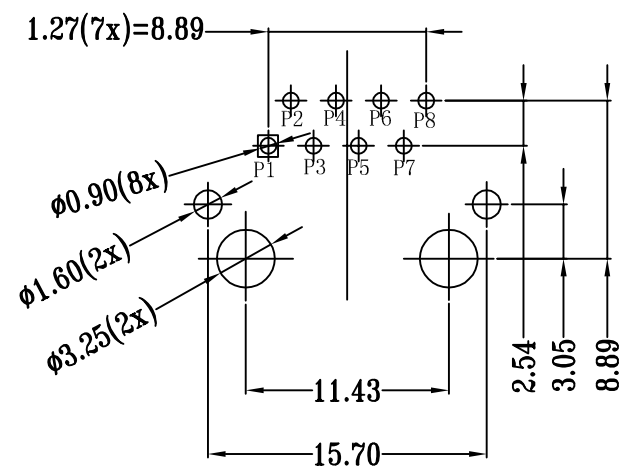
TABLE OF TOLERANCE (mm)	
RANGE	TOLERANCE
0-10	±0.15
>10-40	±0.25
>40-70	±0.30
>70	±0.40

THIS DRAWING IS A CONTROLLED DOCUMENT.		DWN 02AUG2016 GANESH C M	TE Connectivity															
DIMENSIONS: mm		CHK 02AUG2016 FRANZ MUELLER																
TOLERANCES UNLESS OTHERWISE SPECIFIED:		APVD 02AUG2016 MARTIN SZELAG	NAME RJ45 JACK INT.MAG. 10/100 1x1															
<table border="0"> <tr> <td>0 PLC</td><td>± -</td><td rowspan="5">7</td> </tr> <tr> <td>1 PLC</td><td>± -</td> </tr> <tr> <td>2 PLC</td><td>± -</td> </tr> <tr> <td>3 PLC</td><td>± -</td> </tr> <tr> <td>4 PLC</td><td>± -</td> </tr> <tr> <td>ANGLES</td><td>± -</td><td></td> </tr> </table>		0 PLC	± -	7	1 PLC	± -	2 PLC	± -	3 PLC	± -	4 PLC	± -	ANGLES	± -		PRODUCT SPEC 108-94552	SIZE A3	
0 PLC	± -	7																
1 PLC	± -																	
2 PLC	± -																	
3 PLC	± -																	
4 PLC	± -																	
ANGLES	± -																	
MATERIAL 1		FINISH 1	APPLICATION SPEC 114-94447	CAGE CODE 00779														
			WEIGHT	DRAWING NO C=5-2301994-4														
			CUSTOMER DRAWING	RESTRICTED TO -														
			SCALE 3:1	SHEET 1 of 3														
				REV A1														


REVISIONS

P	LTR	DESCRIPTION	DATE	DWN	APVD
-	-	SEE SHEET 1	-	-	-

SUGGESTED PCB LAYOUT



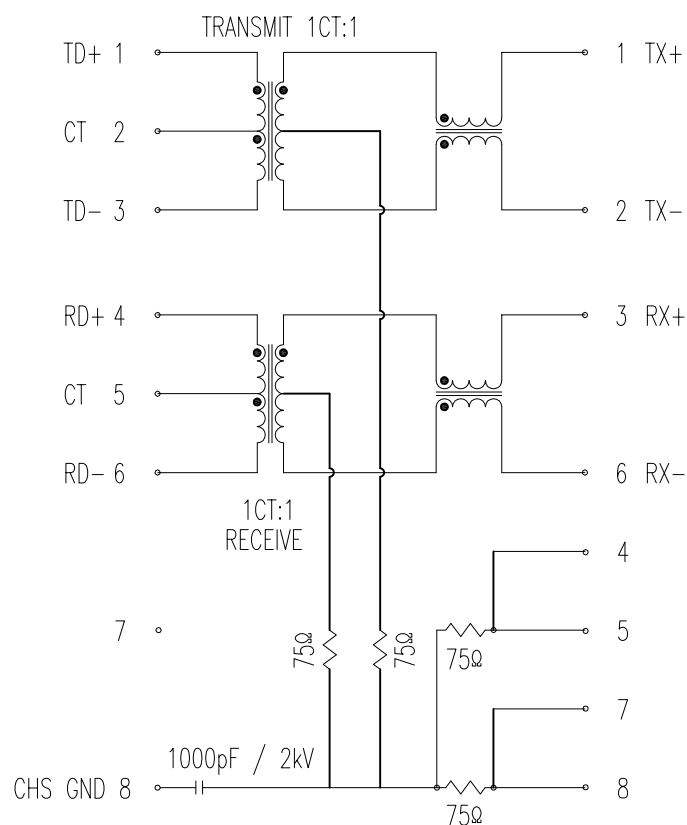
UNIT: mm
TOLERANCES: ±0.10

THIS DRAWING IS A CONTROLLED DOCUMENT.		DWN GANESH C M 02AUG2016	 TE Connectivity															
DIMENSIONS: mm		CHK FRANZ MUELLER 02AUG2016																
TOLERANCES UNLESS OTHERWISE SPECIFIED:		APVD MARTIN SZELAG 02AUG2016	NAME RJ45 JACK INT.MAG. 10/100 1x1															
<table border="0"> <tr> <td>0 PLC</td><td>± -</td><td rowspan="5">7</td> </tr> <tr> <td>1 PLC</td><td>± -</td> </tr> <tr> <td>2 PLC</td><td>± -</td> </tr> <tr> <td>3 PLC</td><td>± -</td> </tr> <tr> <td>4 PLC</td><td>± -</td> </tr> <tr> <td>ANGLES</td><td>± -</td><td></td> </tr> </table>		0 PLC	± -	7	1 PLC	± -	2 PLC	± -	3 PLC	± -	4 PLC	± -	ANGLES	± -		PRODUCT SPEC 108-94552	SIZE A3	
0 PLC	± -	7																
1 PLC	± -																	
2 PLC	± -																	
3 PLC	± -																	
4 PLC	± -																	
ANGLES	± -																	
MATERIAL 1		FINISH 1	APPLICATION SPEC 114-94447	CAGE CODE 00779														
		WEIGHT	DRAWING NO C-5-2301994-4	RESTRICTED TO -														
		CUSTOMER DRAWING	SCALE 3:1	SHEET 2 of 3														
			REV A1															

REVISIONS

P	LTR	DESCRIPTION	DATE	DWN	APVD
-	-	SEE SHEET 1	-	-	-

ELECTRICAL CIRCUIT DIAGRAM



- TURN RATIO @100kHz: (P1~P3) : (J1~J2) = 1:1±2%
(P4~P6) : (J3~J6)=1:1±2%
- PRIMARY INDUCTANCE: 350µH MIN. @100kHz, 0.1V 8mA DC BIAS
- DC RESISTANCE: 1.2 OHMS MAX.
- INSERTION LOSS: 1-100MHz -1.2dB MAX.
- RETURN LOSS: 1-30MHz -16dB MIN.
30-60MHz -12dB MIN.
60-80MHz -10dB MIN.
- CROSS TALK: 1-100MHz -30dB MIN.
- COMMON TO COMMON MODE ATTENUATION: 1-100MHz -30dB MIN.
- ISOLATION: PHY SIDE TO LINE SIDE: 1500VAC OR 2250VDC

5 - 2301994 - 4
WWYY-xxxx

TE

FCC

CONTROL CODE

DATE CODE
"0213"

YY-YEAR

WW-WEEK

THIS DRAWING IS A CONTROLLED DOCUMENT.		DWN 02AUG2016 GANESH C M	TE TE Connectivity	
		CHK 02AUG2016 FRANZ MUELLER		
		APVD 02AUG2016 MARTIN SZELAG	NAME RJ45 JACK INT.MAG. 10/100 1x1	
DIMENSIONS: mm		PRODUCT SPEC 108-94552	SIZE A3	
TOLERANCES UNLESS OTHERWISE SPECIFIED: 0 PLC ± - 1 PLC ± - 2 PLC ± - 3 PLC ± - 4 PLC ± - ANGLES ± -		APPLICATION SPEC 114-94447	CAGE CODE 00779	
MATERIAL 1		FINISH 1	DRAWING NO C-5-2301994-4	
		WEIGHT	RESTRICTED TO -	
		CUSTOMER DRAWING	SCALE 3:1 SHEET 3 of 3 REV A1	