

TERMINAL FINISH OPTIONS:

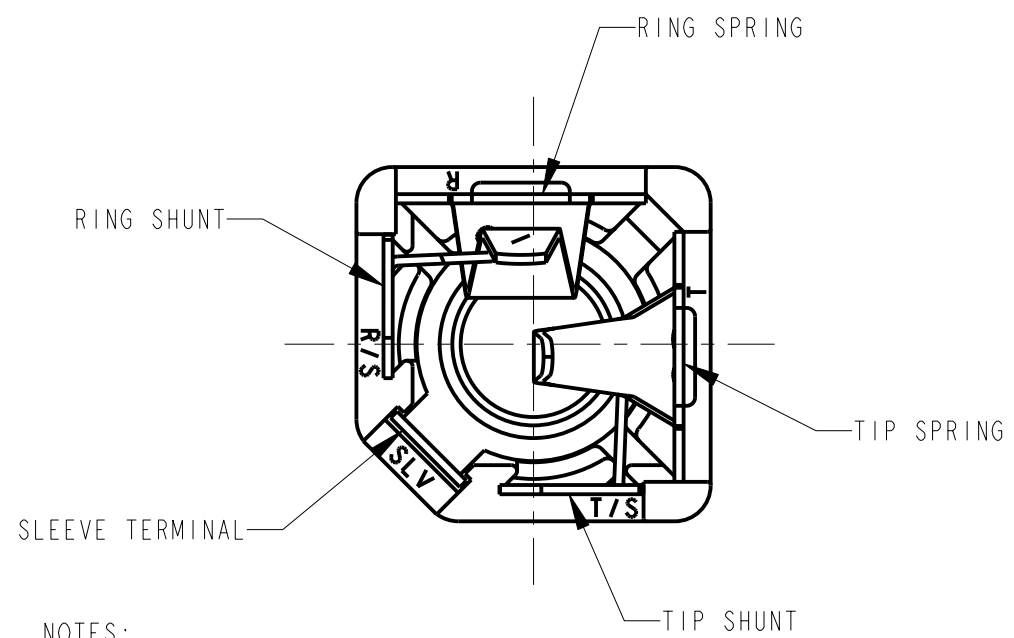
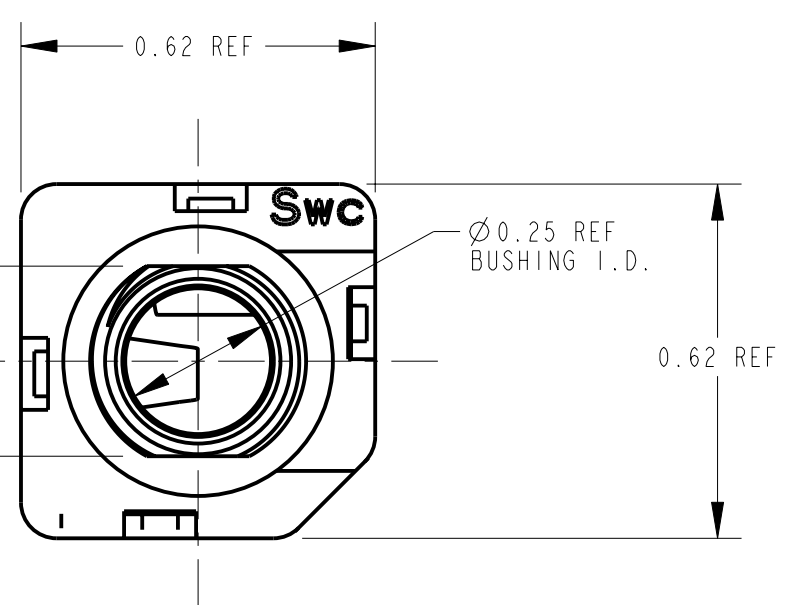
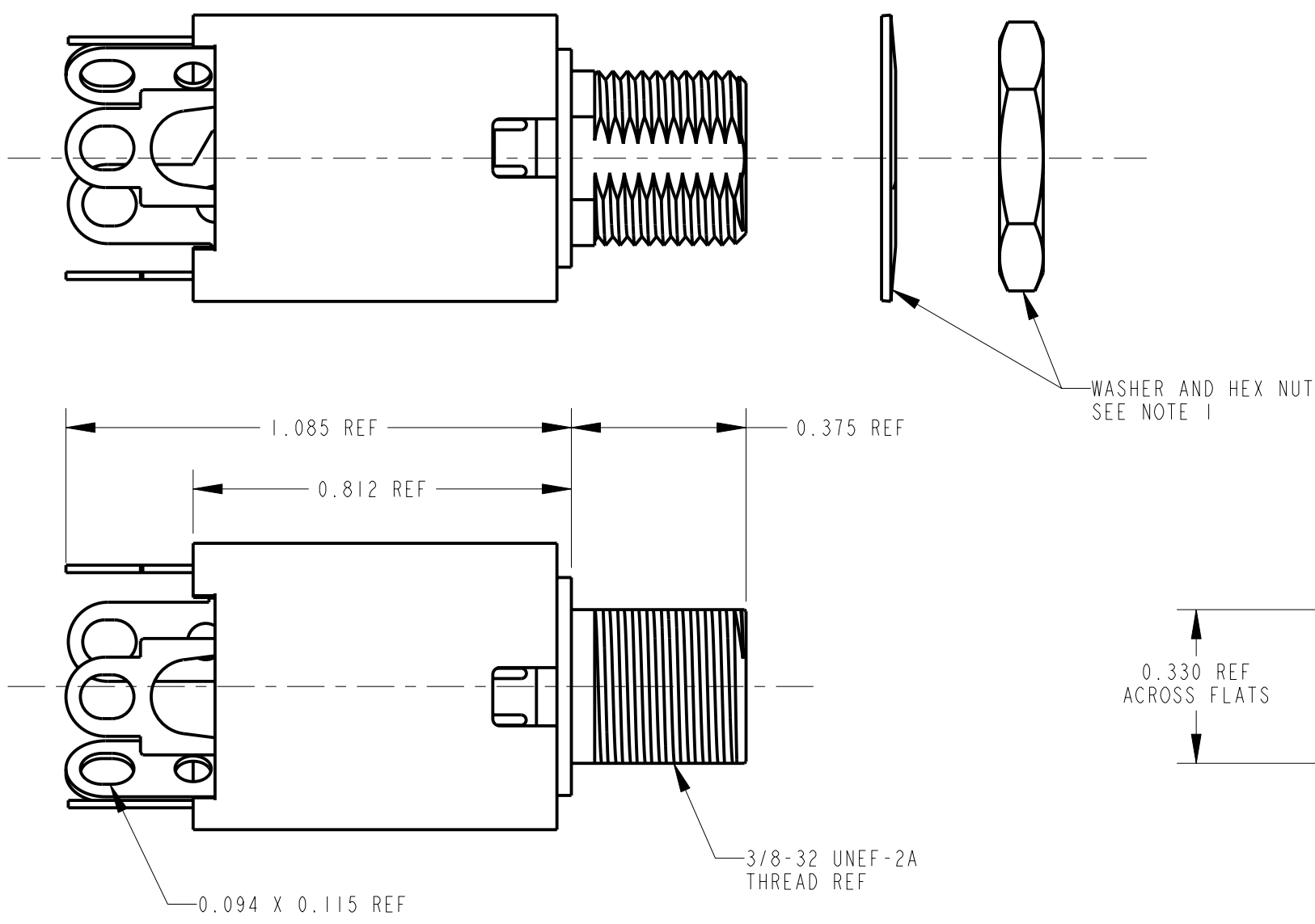
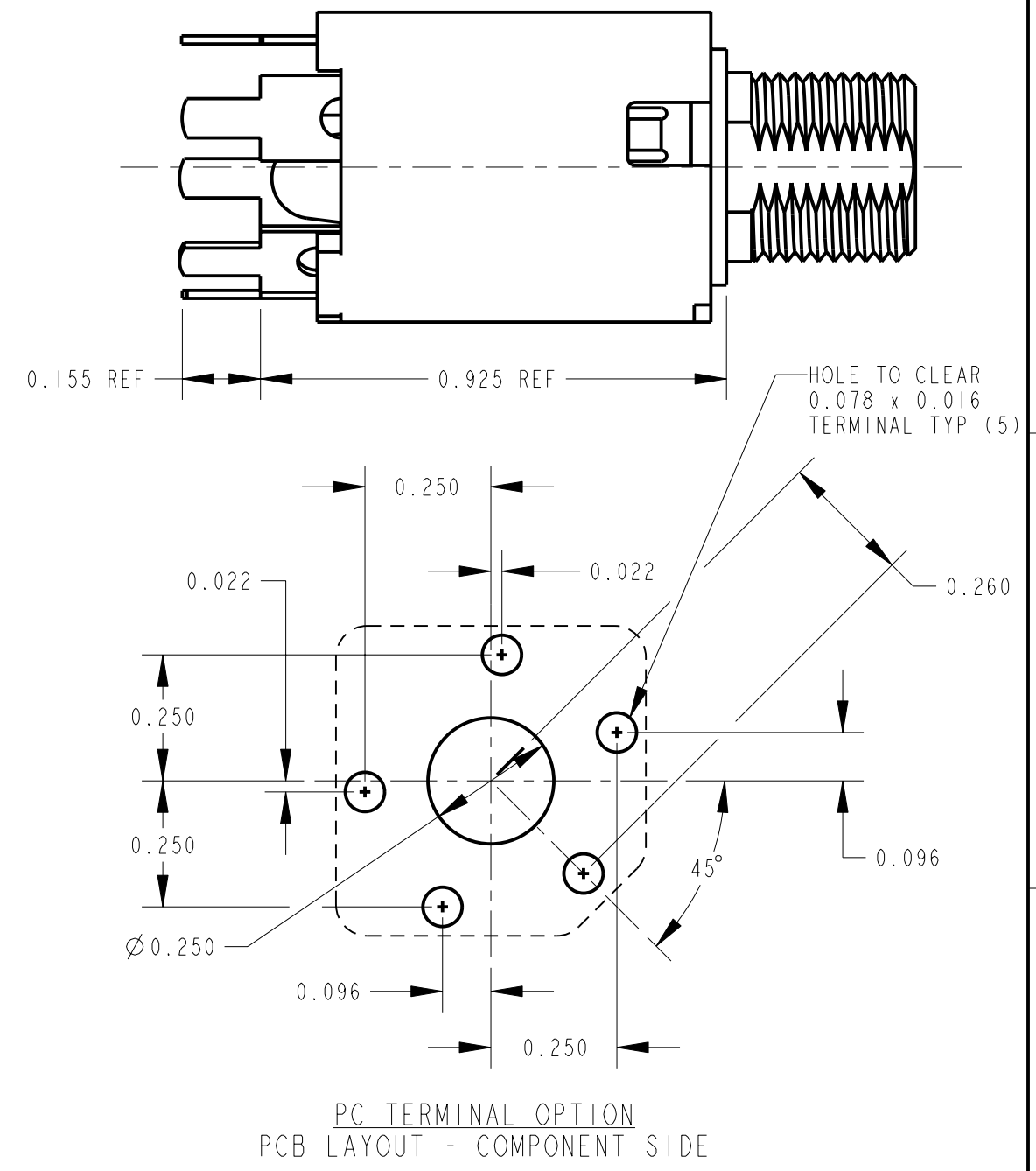
NL - "N" INSULATING, MOLDED NYLON BUSHING  
"L" 0.375 LONG BUSHING

MNL - "M" GOLD PLATED SPRINGS WITH GOLD CONTACTS ON RING SPRINGS AND SHUNT SPRINGS (WHEN SHUNTS ARE USED)  
"N" INSULATING, MOLDED NYLON BUSHING  
"L" 0.375 LONG BUSHING

TERMINAL OPTIONS:  
R<sub>o</sub>HS COMPLIANT  
BLANK - SOLDER TERMINAL  
PC - 0.078 WIDE PC TAILS  
PCS - SNAP-IN PC TAILS

CIRCUITRY OPTIONS:

1 - TIP OPEN CIRCUIT	TIP SLEEVE
2A - TIP CLOSED CIRCUIT	TIP SLEEVE
2B - TIP & RING OPEN CIRCUIT	RING TIP SLEEVE
3 - TIP OPEN CIRCUIT AND ISOLATE "MAKE" CIRCUIT	TIP SLEEVE
3B - TIP CLOSED CIRCUIT AND RING OPEN CIRCUIT (I-C TRANSFER)	RING TIP SLEEVE
3D - I TIP CLOSED CIRCUIT AND I TIP OPEN CIRCUIT	TIP SLEEVE
3E - TIP OPEN CIRCUIT AND ISOLATED "BREAK" CIRCUIT	TIP SLEEVE
3F - TIP OPEN CIRCUIT AND RING CLOSED CIRCUIT	RING TIP SLEEVE
4B - TIP & RING CLOSED CIRCUIT	RING TIP SLEEVE



NOTES:

- HARDWARE SHIPPED UNASSEMBLED.
- MAXIMUM PANEL THICKNESS: 0.25
- MATERIALS:  
HOUSING - POLYESTER GLASS FILLED, BLACK  
BUSHING - THERMOPLASTIC, BLACK WITH BRASS, NICKEL PLATED SLEEVE  
SLEEVE TERMINAL - BRASS, LEAD FREE ELECTRO-TIN PLATED  
SPRINGS - NICKEL SILVER, LEAD FREE ELECTRO-TIN PLATED  
LIFTERS - NYLON (113 & 113E CIRCUIT OPTIONS)  
WASHER - STEEL, NICKEL PLATED  
NUT - BRASS, NICKEL PLATED
- THIS PRODUCT IS R<sub>o</sub>HS COMPLIANT.

SOLDER TERMINAL OPTION

CUSTOMER DRAWING

★ STAR SYMBOL DENOTES CRITICAL DIMENSION					THIS DRAWING DESCRIBES A DESIGN CONSIDERED PROPRIETARY IN NATURE, DEVELOPED AND MANUFACTURED BY SWITCHCRAFT INC. AND IS RELEASED ON A CONFIDENTIAL BASIS FOR IDENTIFICATION PURPOSES ONLY.				
UNLESS OTHERWISE SPECIFIED					SIZE	WIDTH	MULT	LBS/M	TEMPER
1. ALL DIMENSIONS IN INCHES - TWO PLACE DECIMALS ±0.01 - THREE PLACE DECIMALS ±0.005 - ANGLES ±1° - ALL DIA. CONCENTRIC WITHIN 0.005 T.I.R.					FINISH SPEC No.		MATERIAL SPEC No.		
2. FEATURES ON THE SAME CENTERLINE MUST BE ALIGNED WITHIN ±0.002					FIRST USED ON		SCALE 3:1		
3. REMOVE ALL BURRS					DATE DRAWN	BY	CHKD	APVD	<b>Switchcraft</b> SHEET   OF   REV
DO NOT SCALE DRAWING					17-Jul-08	TJK	TJK 7-17-08	TJK 7-17-08	
REVISIONS					NAME #3/8-32, LONG INSULATED BUSHING Ø0.25 I.D. HI-D JACK ASSY, R <sub>o</sub> HS				
REV	ECO NUMBER	DATE	BY	APVD	PART No. NLI10X SERIES MNL10X SERIES				