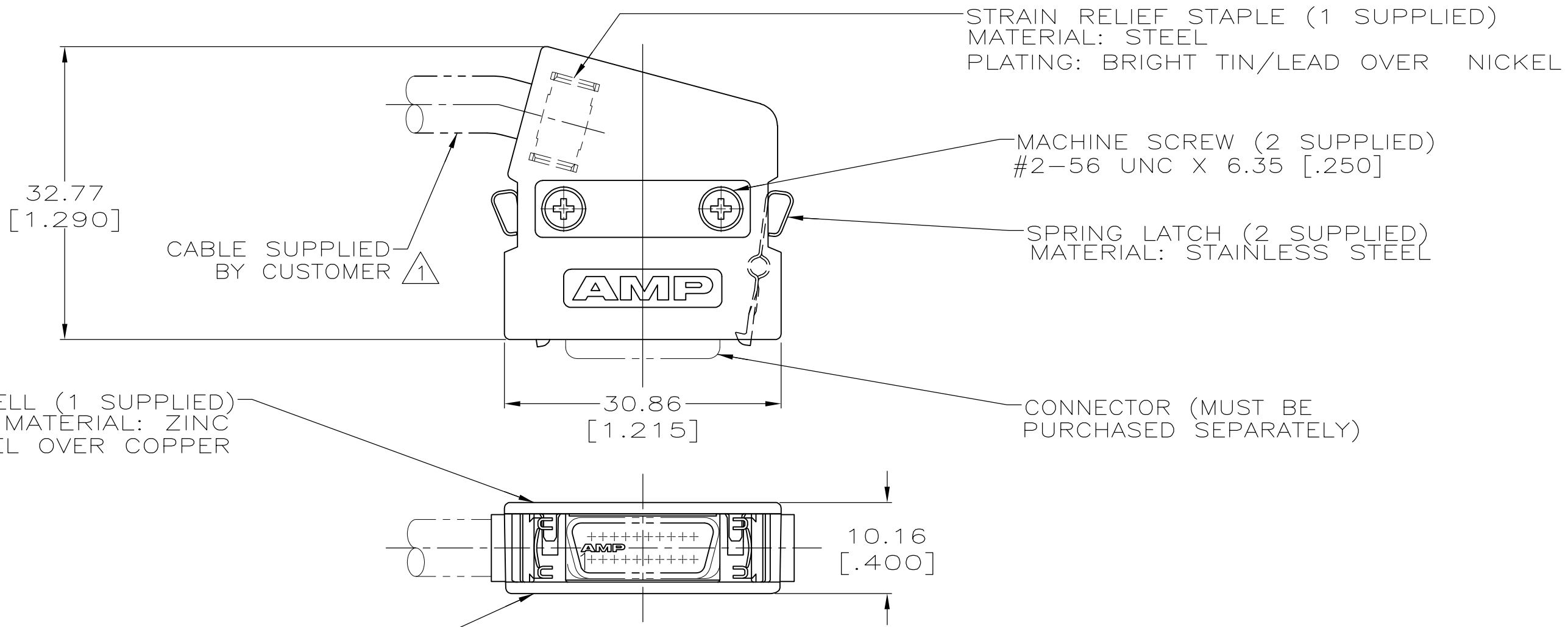


THIS DRAWING IS UNPUBLISHED. RELEASED FOR PUBLICATION ,19  
 © COPYRIGHT 19 BY AMP INCORPORATED. ALL INTERNATIONAL RIGHTS RESERVED.

| LOC | DIST | P | F | ZONE | LTR | DESCRIPTION                 | DATE    | APPD |
|-----|------|---|---|------|-----|-----------------------------|---------|------|
| GP  | 00   |   |   |      | D   | REVISED PER EC 0S13-0401-04 | 11NOV04 | JG   |
|     |      |   |   |      | D1  | REVISED PER ECO-09-022424   | 15SEP09 | AEG  |



|           |          |                      |            |
|-----------|----------|----------------------|------------|
| 2         | OBSOLETE | BULK - 150 PIECES    | —749199-2— |
|           |          | INDIVIDUAL - 1 PIECE | 749199-1   |
| PACKAGING |          |                      | PART NO    |

- 1 6.86 [.270] MAX CABLE DIA
- 2 OBSOLETE PARTS: OBSOLETE CIS STREAMLINING PER D.RENAUD/D.SINISI



|   |  |   |
|---|--|---|
| DO NOT SCALE PRINT. UNLESS SPECIFIED<br>DIMENSIONS IN mm [INCHES]<br>TOLERANCES ON:<br>2 PLC DEC ± -<br>3 PLC DEC ± 0.38 [.015]<br>ANGLES ± - | DR 12/20/88<br>M.E.SHIRK<br>CHK 12/20/88<br>M.A.MCCAFFREY<br>APPD 12/20/88<br>J.L.BROSCHARD<br>APPD 12/20/88<br>C.E.REYNOLDS | AMP INCORPORATED<br>Harrisburg, Pa. 17105     |
| MATERIAL -  | PRODUCT SPEC -   |   |
| FINISH -  | APPLICATION SPEC -   | SIZE <b>B</b> FSCM NO 00779 DRAWING NO 749199 |
| WEIGHT -  | WEIGHT -   | SCALE 2:1 SHEET 1 OF 1                        |