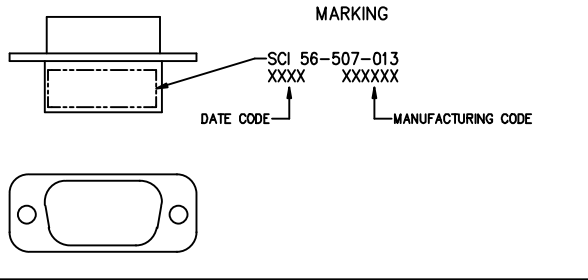
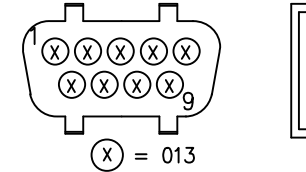


CONN SIZE	FILTER DESIGNATION	FILTER CIRCUITS	CAPACITANCE		3 dB MAX CUTOFF FREQ (MHz)	DIELECTRIC WITHSTANDING VOLTAGE	CONTACT RATING	CONTACT RESIST	WORKING VOLTAGE DC -55°C TO +125°C	MINIMUM INSERTION LOSS-DECIBELS (dB)						
			VALUE	TOLERANCE						10 MHz	20 MHz	100 MHz	500 MHz	1 GHz	2 GHz	5 GHz
9	013	FT	1000pF	+30% -30%	40	300V	5A	.010 OHM MAX	100V	-	6	19	32	38	-	-

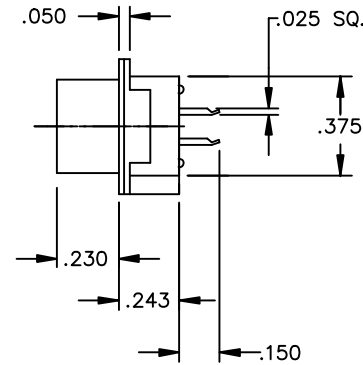
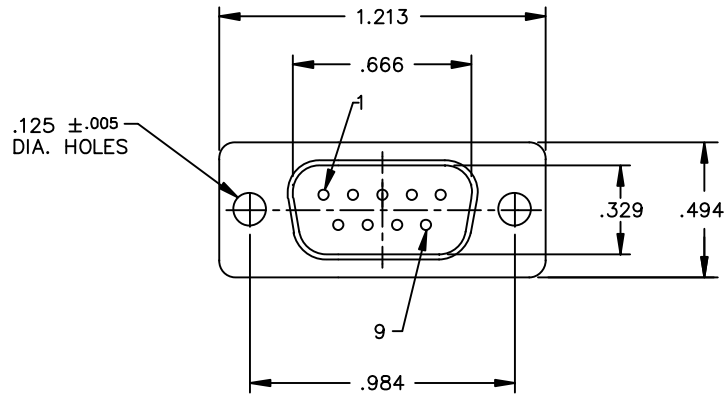


† ALL TEST CONDITIONS AT 25°C. 50% RELATIVE HUMIDITY.
CAP. PER MIL-STD-202 METHOD 305, 1.0 VRMS MAX. 1KHZ.
D.W.V. PER MIL-STD-202 METHOD 301, 1-5 SEC. 50 mA MAX.
I.R. PER MIL-STD-202 METHOD 302.
I.L. PER MIL-STD-220, NO LOAD CONDITION.

FILTER ELEMENT LOCATION



SOCKET VIEW



NOTE:

SHELL: STEEL, TIN PLATED.
INSULATOR: UL 94V-0

CONTACT; COPPER ALLOY, .000015 GOLD PLATED
IN PIN CONTACT MATING AREA.

THIS DOCUMENT CONTAINS PROPRIETARY INFORMATION AND IS COPYRIGHTED. EXCEPT WITH THE WRITTEN PERMISSION OF SPECTRUM CONTROL INC., OR ITS SUBSIDIARIES, SUCH INFORMATION SHALL NOT BE PUBLISHED OR DISCLOSED TO OTHERS OR USED FOR ANY PURPOSE AND THIS DOCUMENT SHALL NOT BE DUPLICATED IN WHOLE OR IN PART.

					4	REV. INCL.
					CN 206175	CHANGE NOTICE
					REDRAWN	

UNLESS OTHERWISE SPECIFIED DIMENSIONS ARE IN INCHES.
CADD SCALE: FULL
PLOT SCALE: 2x

TOLERANCES UNLESS OTHERWISE SPECIFIED
Fractions ± 1/64
Dec. .xx±
Dec. .xxx± .015
Angles ±0° 30'
CODE IDENT. NO. OLSP2

CONNECTOR PRODUCTS DIVISION
ERIE, PENNSYLVANIA

SPECTRUM CONTROL INC.

Dwn. KRZALIC
Date 3/11/02
Apvd. E. FLEMING
Sheet 1 of 1

Description
9 POSITION LOW PROFILE
PIN/PCB TAIL FILTERED CONN.

B 56-507-013

Quality Products From The Specialists In Electro-Magnetic Compatibility