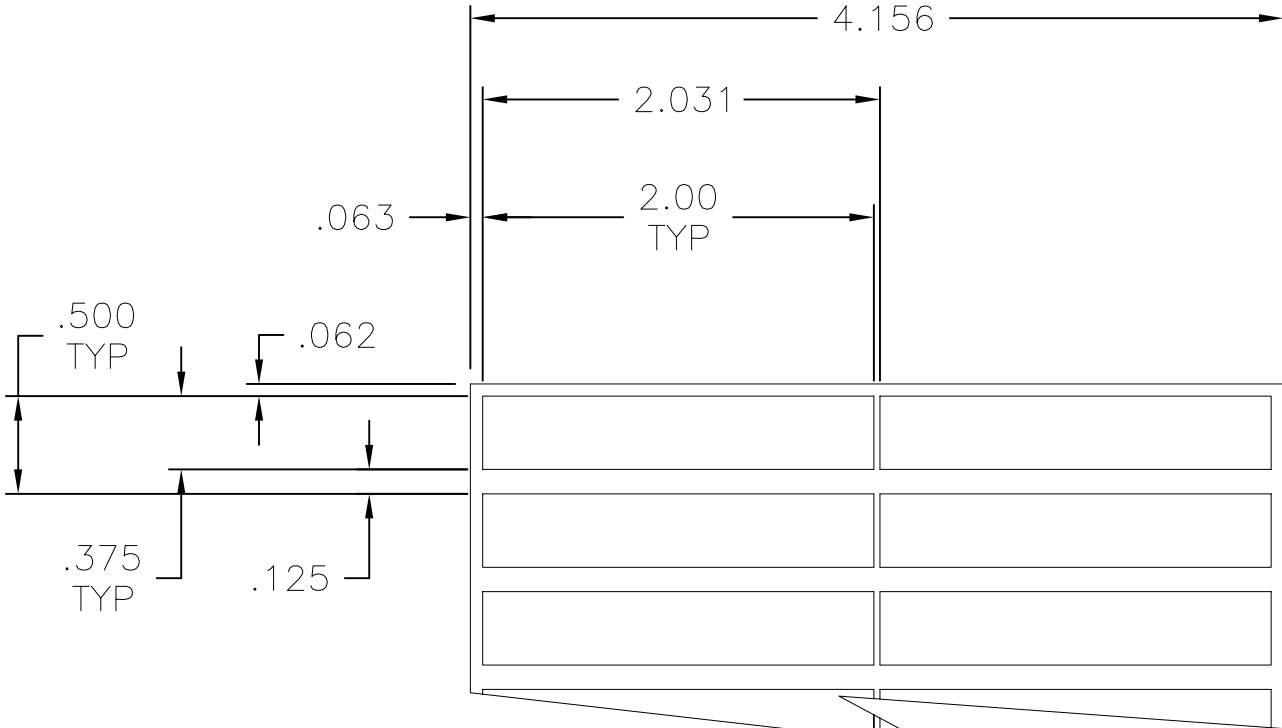


PRO-TEK™

name	date	city, state

NOTES



10,000 WHITE LABELS PER ROLL
2 ACROSS ON 3" CORE

REVISION	D level	A
	W date	12/21/99
	I by	AAM
	G ECN #	001625
part level	A	

DIMENSIONS	.XXXX = ±.0005
	.XXX = ±.010
	.XX = ±.01
	.X = ±.03
	∠ = ±0.5°
unless otherwise specified	
units	inches

PART	number	TAG35T2-250	phase	PRODUCTION
	name	TAG35T2-250 BLANK THERMAL TRANSFER LABEL		
	material	250 NYLON CLOTH		

DRAWING	FORMAT AV	version L	CAD ACAD	scale	1X	
	computer file number	LA\DTL\3002039A				
	previous number					
	drawn	A.A.M.	checked	K.A.C.	approved	
		12/21/99		02/09/00		
type	DETAIL			sheet	1 of 1	
number	LA3002039DTL					