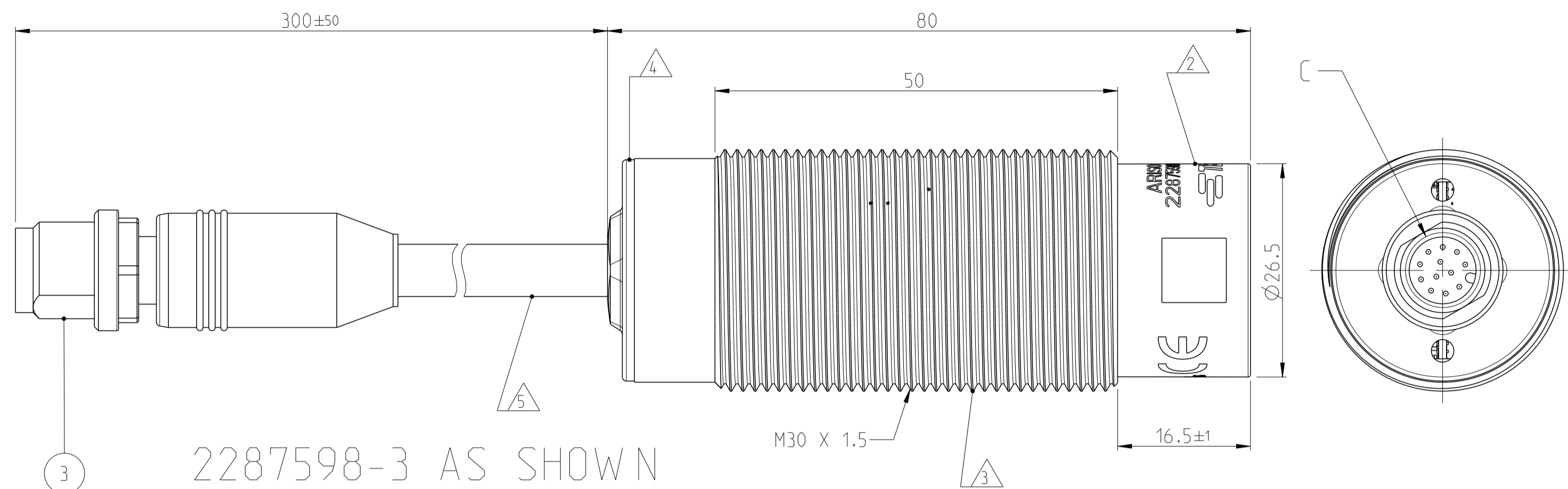


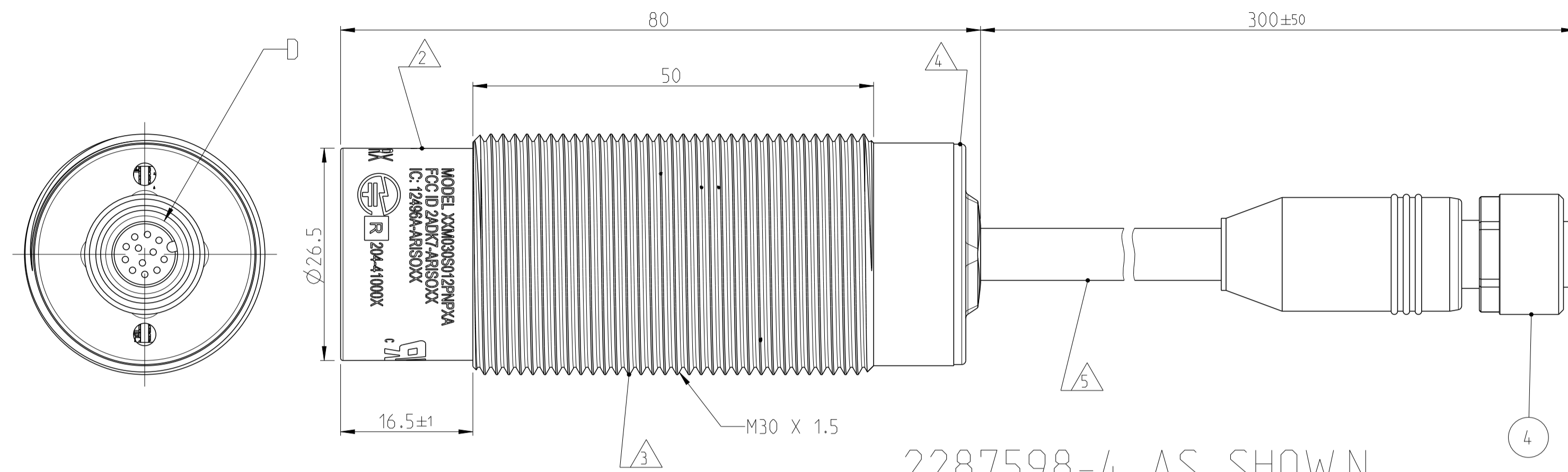
PROJECT NO.:		REVISIONS		
PRJ-13-000005512		ÄNDERUNGEN	DATE	OWN
P	LTA	DESCRIPTION		APVD
		BESCHREIBUNG		
-		SEE SHEET 1	-	-

2287598-3 ARISO GPIO
 TXM030S012PNP8A



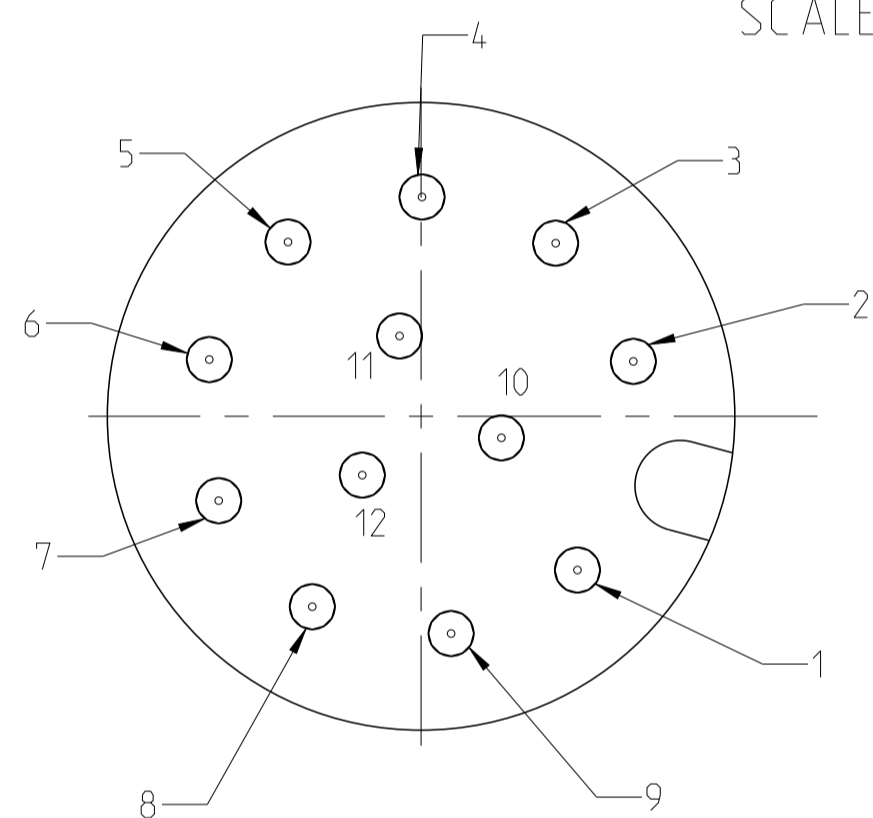
2287598-3 AS SHOWN

2287598-4 ARISO GPIO
 RXM030S012PNP8A
 2287598-5 ARISO GPIO
 RXM030S012PNP8B

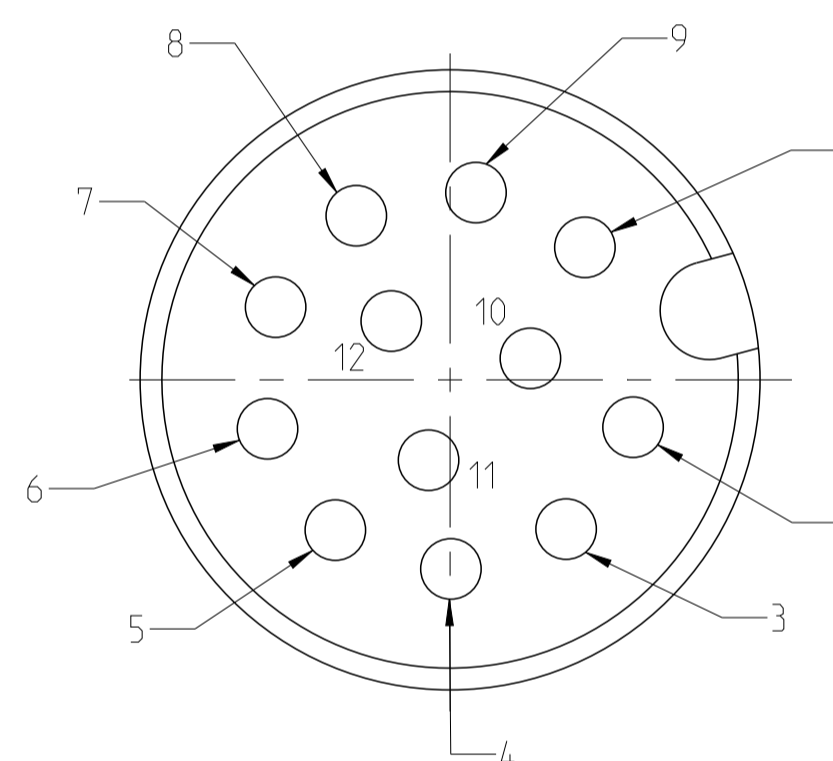


2287598-4 AS SHOWN
 2287598-5 AS SHOWN

DETAIL VIEW C
 SCALE 10:1



DETAIL VIEW D
 SCALE 10:1

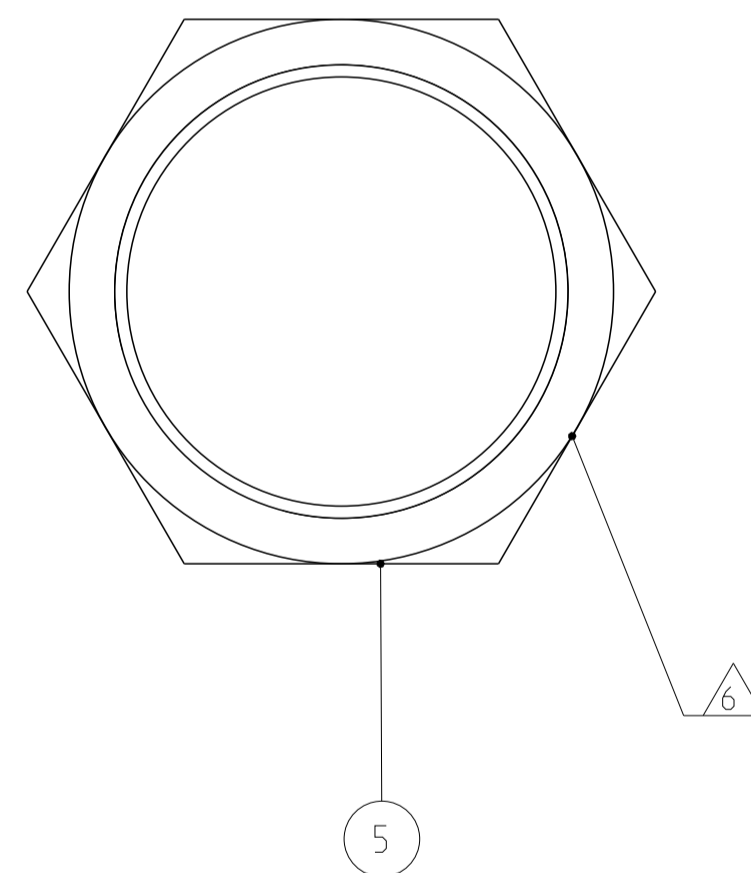
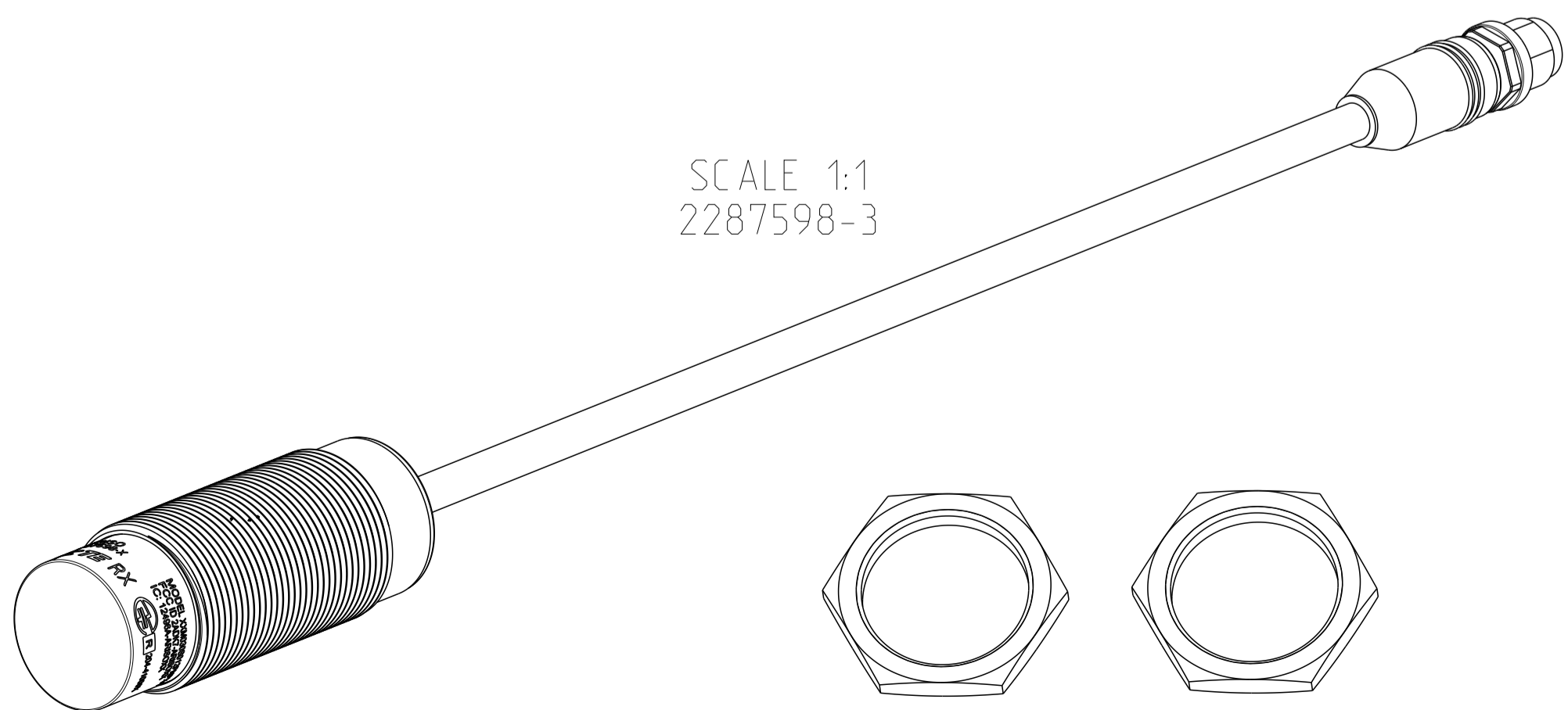


2287598-3		
TERMINAL NR.	NAME	DESCRIPTION
1	+ 24V DC	+24 DC_IN
2	GND	GROUND
3	PNP_OUT_1	PNP OUTPUT CHANNEL 1
4	PNP_OUT_2	PNP OUTPUT CHANNEL 2
5	PNP_OUT_3	PNP OUTPUT CHANNEL 3
6	PNP_OUT_4	PNP OUTPUT CHANNEL 4
7	PNP_OUT_5	PNP OUTPUT CHANNEL 5
8	PNP_OUT_6	PNP OUTPUT CHANNEL 6
9	PNP_OUT_7	PNP OUTPUT CHANNEL 7
10	PNP_OUT_8	PNP OUTPUT CHANNEL 8
11	FOD	FOREIGN OBJECT DETECTION
12	STATUS NOK	STATUS NOK

2287598-4		
TERMINAL NR.	NAME	DESCRIPTION
1	+ 24V DC	+24 DC_OUT
2	GND	GROUND
3	PNP_IN_1	PNP INPUT CHANNEL 1
4	PNP_IN_2	PNP INPUT CHANNEL 2
5	PNP_IN_3	PNP INPUT CHANNEL 3
6	PNP_IN_4	PNP INPUT CHANNEL 4
7	PNP_IN_5	PNP INPUT CHANNEL 5
8	PNP_IN_6	PNP INPUT CHANNEL 6
9	PNP_IN_7	PNP INPUT CHANNEL 7
10	PNP_IN_8	PNP INPUT CHANNEL 8
11	N.C	NOT CONNECTED
12	N.C	NOT CONNECTED

2287598-5		
TERMINAL NR.	NAME	DESCRIPTION
1	+ 24V DC	+24 DC_OUT
2	GND	GROUND
3	PNP_IN_1	PNP INPUT CHANNEL 1
4	PNP_IN_2	PNP INPUT CHANNEL 2
5	PNP_IN_3	PNP INPUT CHANNEL 3
6	PNP_IN_4	PNP INPUT CHANNEL 4
7	N.C	NOT CONNECTED
8	PNP_IN_5	PNP INPUT CHANNEL 5
9	PNP_IN_6	PNP INPUT CHANNEL 6
10	N.C	NOT CONNECTED
11	PNP_IN_7	PNP INPUT CHANNEL 7
12	PNP_IN_8	PNP INPUT CHANNEL 8

SCALE 1:1
 2287598-3



THIS DRAWING IS A CONTROLLED DOCUMENT. DIMENSIONING AND TOLERANCING PER GPS (ISO STANDARDS)		OWN: S.ABOLKASSEH CHK: D.ONDREJ APVD: D.ONDREJ	DATE: 17/01/2014 REV: 200C T2014	TE Connectivity NAME: M30 ARISO GPIO GENERAL PRODUCT SPEC: 108-191A/B6 APPLICATION SPEC: VERARBEITUNGSSPEZ.	SIZE: A1 CAGE CODE: 00779 DRAWING NO: ©=2287598 RESTRICTED TO: NUR FÜR
DIMENSIONS: MASSENHEITEN: mm	TOLERANCES UNLESS OTHERWISE SPECIFIED: ALLGEMEINTOLERANZEN	0 PLC ±0.2 1 PLC ±0.2 2 PLC ± 3 PLC ± 4 PLC ±	MATERIAL: - FINISH/BEFLACHE/FARBE: - WEIGHT GEWICHT: 14.8 g Customer Drawing		