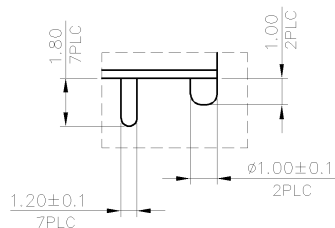
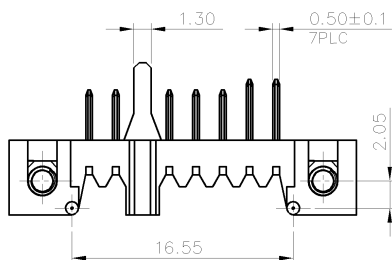
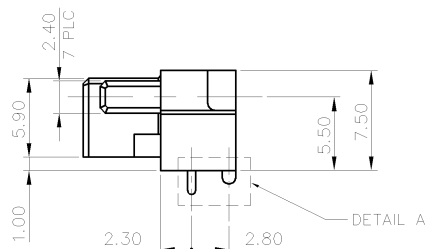
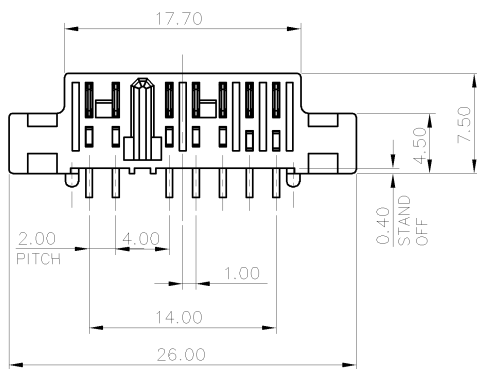
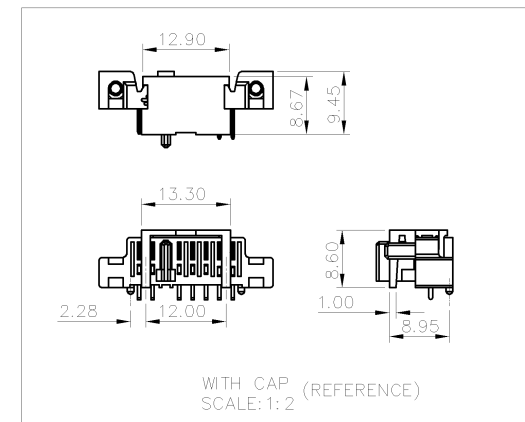
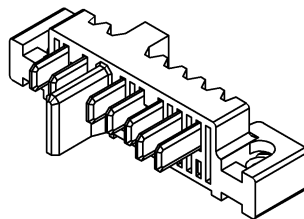
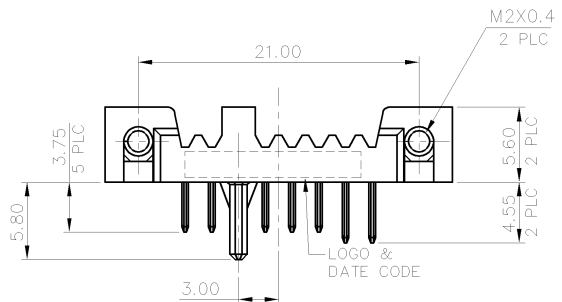
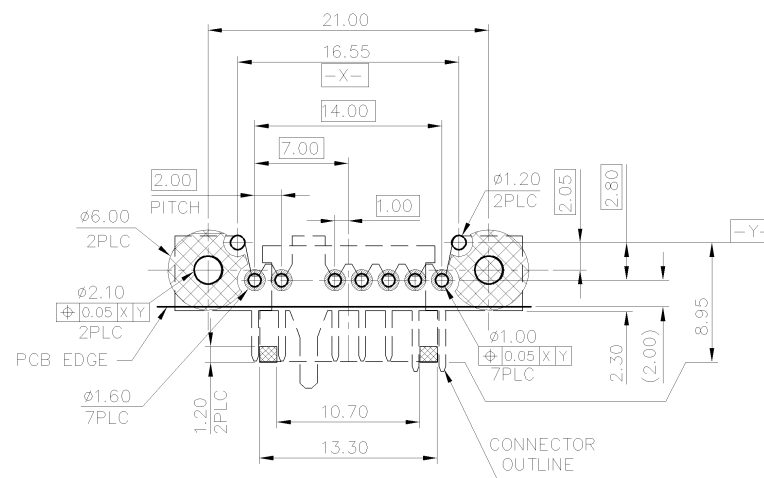


THIS DRAWING IS UNPUBLISHED. RELEASED FOR PUBLICATION  
 © COPYRIGHT 2011 BY TYCO ELECTRONICS CORPORATION. ALL RIGHTS RESERVED.

LOC DW	DIST	REVISIONS			DATE	DWN	APVD
		P	LTR	DESCRIPTION			
		A		RELEASED	30NOV11	JL	WK



DETAIL A  
SCALE 2:1



☒ CAP STAND AREA & KEEP OUT AREA  
 RECOMMENDED P.C.B LAYOUT <TOP VIEW>  
 THICKNESS: 1.20mm, TOLERANCE: ±0.05mm

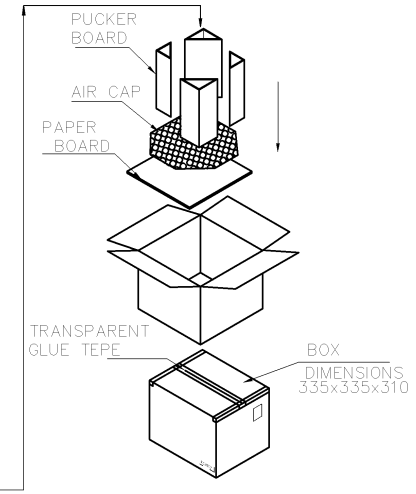
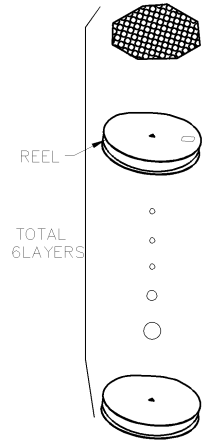
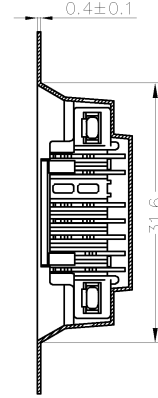
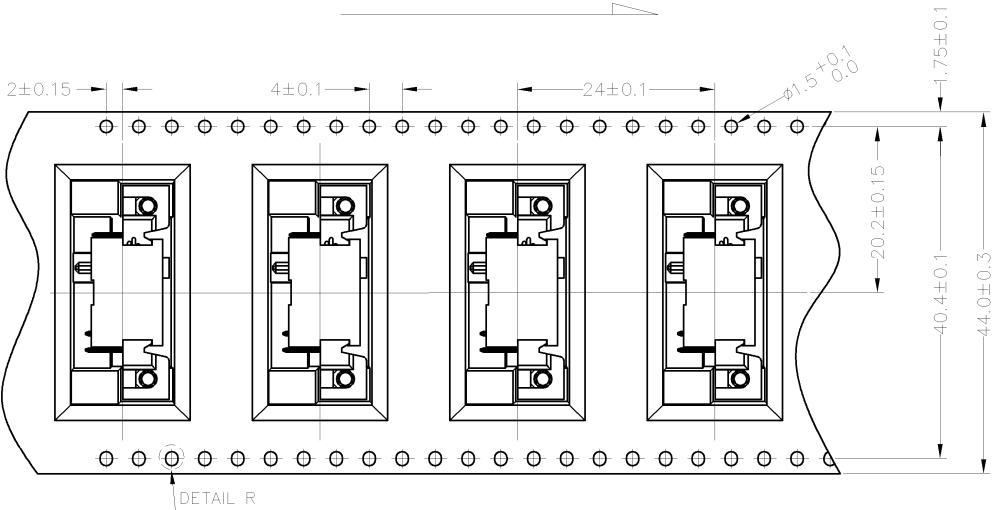
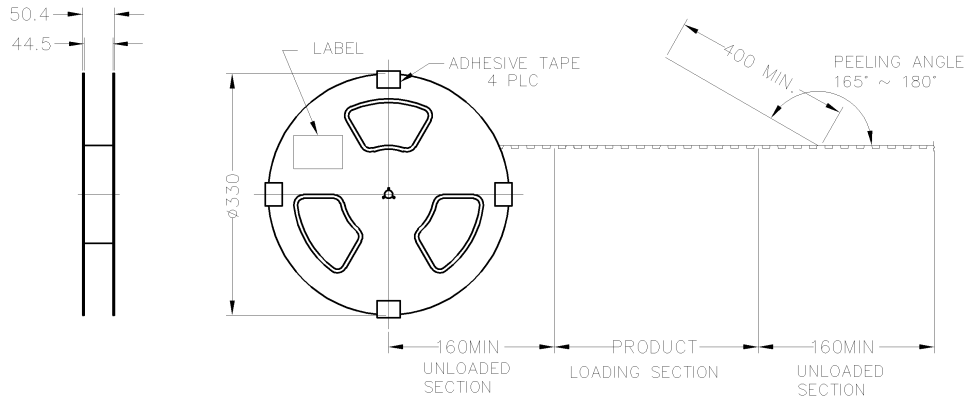
- NOTE:
- MATERIAL:
    - HOUSING/CAP: LCP WITH 50% GF, UL 94V-0, COLOR: BLACK
    - CONTACT: BRASS
    - NUTS: STEEL
  - FINISH:
    - CONTACT: GOLD FLASH PLATED ON CONTACT AREA  
2.54um[100u"] MIN. MATTE-TIN ON SOLDER TAIL  
1.27um[50u"] MIN. NICKEL UNDERPLATE OVERALL
    - REFLOW SOLDER CAPABLE TO 260°C PER TEST SPEC TEC-109-201
    - LOW HALOGEN SPECIFICATION  
CHLORINE(CL): 900 ppm MAX.  
BROMINE(BR): 900 ppm MAX.  
CL + BR : 1500 ppm MAX.

2041432-1  
PART NUMBER

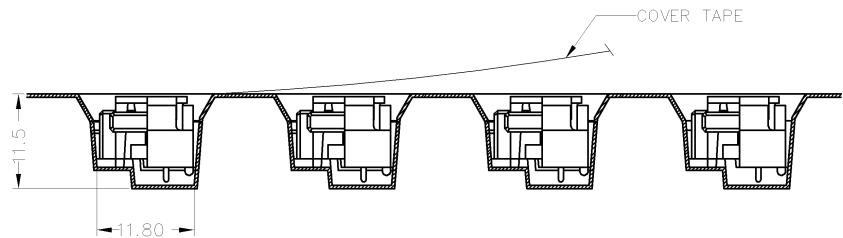
THIS DRAWING IS A CONTROLLED DOCUMENT.		DWN J. LAI	30NOV2011	TE Connectivity	
DIMENSIONS: mm		CHK S. CHIEN	30NOV2011		
TOLERANCES UNLESS OTHERWISE SPECIFIED:		APVD W. KODAMA	30NOV2011	NAME	
		PRODUCT SPEC 108-57891		BATTERY CONNECTOR, 2.0MM PITCH, PLUG, 7.5H, 5.5CH, R/A TYPE	
MATERIAL SEE NOTE		APPLICATION SPEC		SIZE A3	CAGE CODE 00779
FINISH SEE NOTE		WEIGHT 1.91 GRAMS		DRAWING NO C=2041432	
		CUSTOMER DRAWING		RESTRICTED TO	
		SCALE		SHEET 1 OF 2	REV A

THIS DRAWING IS UNPUBLISHED. RELEASED FOR PUBLICATION  
 © COPYRIGHT 2011 BY TYCO ELECTRONICS CORPORATION. ALL RIGHTS RESERVED.

LOC	DIST	REVISIONS					
DW		P	LTR	DESCRIPTION	DATE	DWN	APVD
				SEE SHEET 1.			



- MATERIAL :
  - CARRIER TAPE: PS
  - COVER TAPE: PET
  - REEL: PS
  - BOX: CORRUGATED FIBER
- PEELING STRENGTH: 0.1~0.7N.
- PEELING SPEED: 300mm/min.



THIS DRAWING IS A CONTROLLED DOCUMENT.

DIMENSIONS: mm	TOLERANCES UNLESS OTHERWISE SPECIFIED:
	0 PLC ± -
	1 PLC ±0.3
	2 PLC ±0.2
	3 PLC ±0.15
	4 PLC ± -
	ANGLES ± 3°
MATERIAL	FINISH

DWN	-
CHK	-
APVD	-
PRODUCT SPEC	-
APPLICATION SPEC	-
WEIGHT	-
CUSTOMER DRAWING	-

5.63KG	2.29KG	200	6	1200	2041432-1
GROSS WEIGHT	NET WEIGHT	PCS/ REEL	REEL/ BOX	PCS/ BOX	PART NUMBER



BATTERY CONNECTOR,  
2.0MM PITCH, PLUG, 7.5H, 5.5CH, R/A TYPE

SIZE	CAGE CODE	DRAWING NO	RESTRICTED TO
A3	00779	C=2041432	-
SCALE		SHEET	REV
-		2 OF 2	A