

# Current-compensated Chokes



- Rated currents from 6 to 64 A
- Up to 600 VAC or 850 VDC
- DC to 400 Hz frequencies
- Dual, triple and quad-choke configurations



## Approvals

### ROHS

RD chokes are attenuating common-mode or asymmetric (P/N → E) interference signals, by being connected in series with the phase and neutral lines of an AC powerline input. Symmetrical components of the noise are also attenuated by the leakage inductance of the windings. These chokes are typically used in conjunction with suppression capacitors.

### Features and benefits

- High saturation resistance and excellent thermal behavior
- Through hole or wire connections
- Dual, triple and quad-choke configuration
- Up to 64 A quad configuration
- Multiple housing options
- Custom-specific versions are available on request

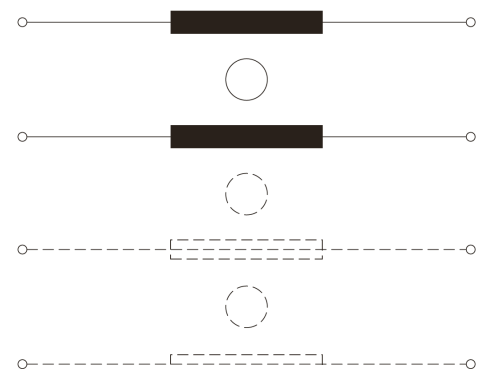
## Technical specifications

<b>Maximum continuous operating voltage</b>	600 VAC/850 VDC @ 40°C
<b>Operating frequency</b>	DC to 400 Hz
<b>Rated currents</b>	6 to 64 A @ 40°C max.
<b>High potential test voltage winding-to-winding</b>	2500 V, 50 Hz, 2 sec, factory test 2500 VAC, 60 sec, guaranteed
<b>winding-to-housing</b>	4000 VAC, 60 sec, guaranteed
<b>Surge current @ 10 msec</b>	20 x I <sub>N</sub> @ 25 °C
<b>Temperature range (operation and storage)</b>	-25°C to +110°C (25/110/21)
<b>Flammability corresponding to MTBF @ 40°C/230 V (Mil-HB-217F)</b>	UL 94 V-0 (insulation tubes UL 94 V-2) >5,000,000 hours

## Typical applications

- Phase-angle control circuits in combination with saturating chokes
- EMI input filters
- For suppressing equipment with no earth connection
- Suppressing high interference levels

## Typical electrical schematic



## Choke selection table

Choke	Nominal current @ 40°C [A]	Inductance L [mH/path]	Resistance R [mΩ/path]	Choke configuration [Qty]	Input/Output connections		Pin footprint connections [mm]	Weight [g]
RD 5122-6-9m6	6	9.6	52.55	2	-02		Ø1	160
RD 5122-10-6m0	10	6	24.25	2	-02		Ø1.3	160
RD 5122-16-2m0	16	2	9.5	2	-02		Ø1.6	160
RD 5132-6-5m0	6	5	38	3	-02		Ø1	160
RD 5132-10-3m0	10	3	17.6	3	-02		Ø1.3	160
RD 5132-16-1m0	16	1	6.9	3	-02		Ø1.6	160
RD 6127-6-15m0	6	15	66.65	2	-07		Ø1	235
RD 6127-10-9m0	10	9	25.9	2	-07		Ø1.5	235
RD 6127-16-3m0	16	3	10.9	2	-07		Ø1.8	235
RD 6137-6-7m5	6	7.5	49	3	-07		Ø1	235
RD 6137-10-4m5	10	4.5	18.35	3	-07		Ø1.5	235
RD 6137-16-1m5	16	1.5	8.3	3	-07		Ø1.8	235
RD 7127-6-25m0	6	25	84.2	2	-07		Ø1	320
RD 7127-10-14m0	10	14	33.5	2	-07		Ø1.4	350
RD 7127-16-5m7	16	5.7	14.1	2	-07		Ø1.8	370
RD 7127-25-2m8	25	2.8	6.4	2	-07		Ø2.4	400
RD 7127-36-1m0	36	1	3.3	2	-07		Ø2.7	380
RD 7137-6-12m0	6	12	60.6	3	-07		Ø1	340
RD 7137-10-6m6	10	6.6	21.9	3	-07		Ø1.5	380
RD 7137-16-2m8	16	2.8	10.7	3	-07		Ø1.8	380
RD 7137-25-1m3	25	1.3	4.45	3	-07		Ø2.5	440
RD 7137-36-0m5	36	0.5	2.75	3	-07		Ø2.7	400
RD 7147-6-6m0	6	6	45.1	4	-07		Ø1	320
RD 7147-10-3m5	10	3.5	19.1	4	-07		Ø1.4	370
RD 7147-16-1m5	16	1.5	8.5	4	-07		Ø1.8	390
RD 7147-25-0m7	25	0.7	3.65	4	-07		Ø2.4	430
RD 7147-36-0m2	36	0.2	2.3	4	-07		Ø2.5	400
RD 8127-16-12m0	16	12	20.05	2	-07		Ø2	590
RD 8127-25-5m0	25	5	8.45	2	-07		Ø2.4	630
RD 8127-36-3m0	36	3	4.55	2	-07		1.5 x 4.5	690
RD 8127-50-1m0	50	1	2.5	2	-07		1.7 x 5	640
RD 8127-64-0m8	64	0.8	1.6	2	-07		2.5 x 5	710
RD 8137-16-5m0	16	5	11.6	3	-07		Ø2	630
RD 8137-25-2m5	25	2.5	6.4	3	-07		Ø2.4	650
RD 8137-36-1m5	36	1.5	3.65	3	-07		1.5 x 4.5	720
RD 8137-50-0m6	50	0.6	2.15	3	-07		1.7 x 5	700
RD 8137-64-0m5	64	0.5	1.35	3	-07		2.5 x 5	780
RD 8147-16-3m0	16	3	9.25	4	-07		Ø2	650
RD 8147-25-1m3	25	1.3	5.05	4	-07		Ø2.4	650
RD 8147-36-0m8	36	0.8	3	4	-07		1.5 x 4.5	760
RD 8147-50-0m3	50	0.3	1.75	4	-07		1.7 x 5	740
RD 8147-64-0m2	64	0.2	1.1	4	-07		2.5 x 5	820

Test conditions:

Measuring frequency: 1 kHz; 500 µA &gt;0.16 mH &gt;1.6 mH; 50 µA &gt;1.6 mH &lt;160 mH

Inductance tolerance: +50%, -30%

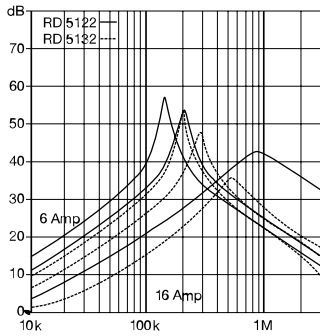
Resistance tolerance: ±15% @ 25 °C

Electrical characteristics @ 25°C: ±2°C

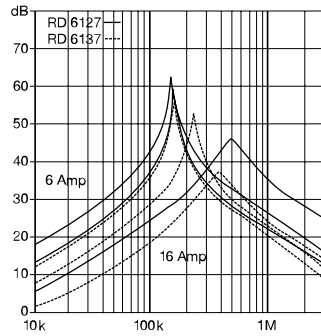
### Typical choke attenuation/resonance frequency characteristics

Per CISPR 17; 50 Ω/50 Ω asym

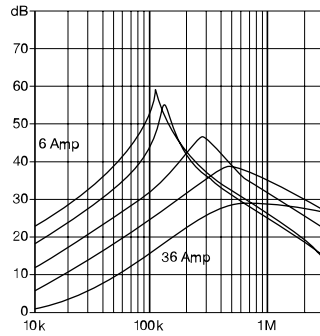
RD 51x2



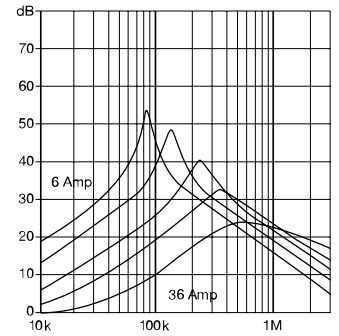
RD 61x7



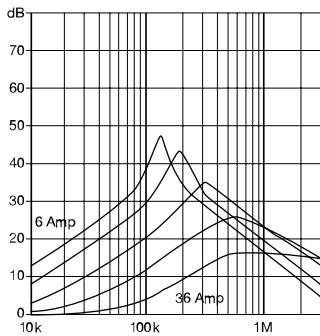
RD 7127



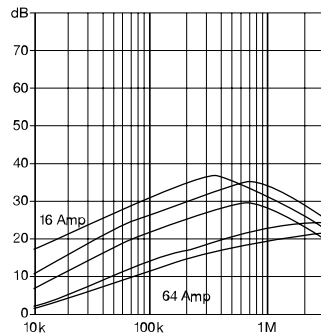
RD 7137



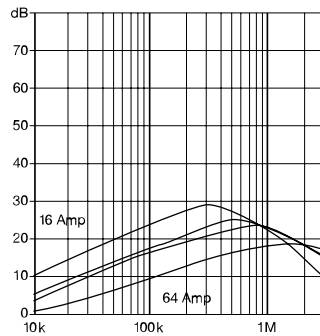
RD 7147



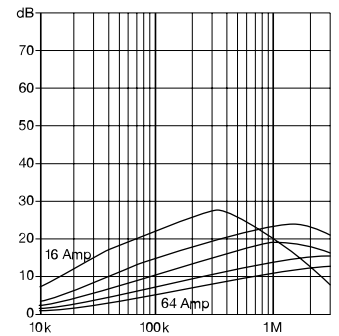
RD 8127



RD 8137



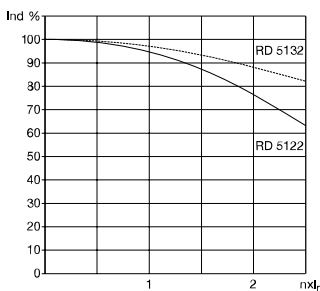
RD 8147



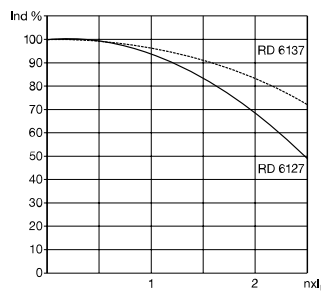
### Typical saturation characteristics

Inductance (typical value in %) vs. nominal current (A DC)

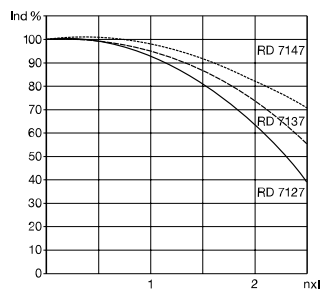
RD 51x2



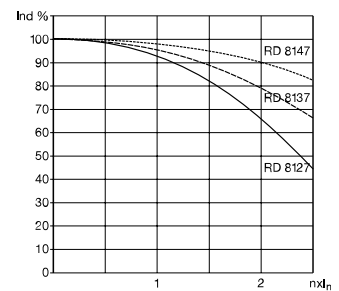
RD 61x7



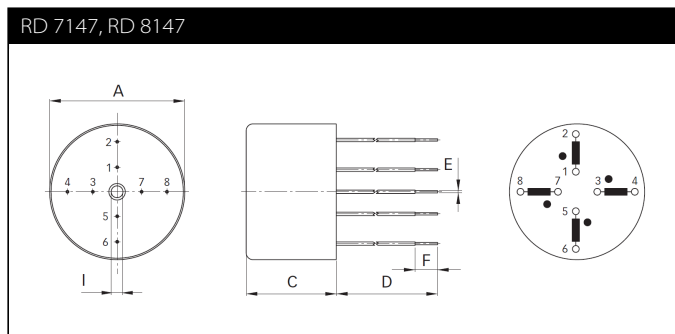
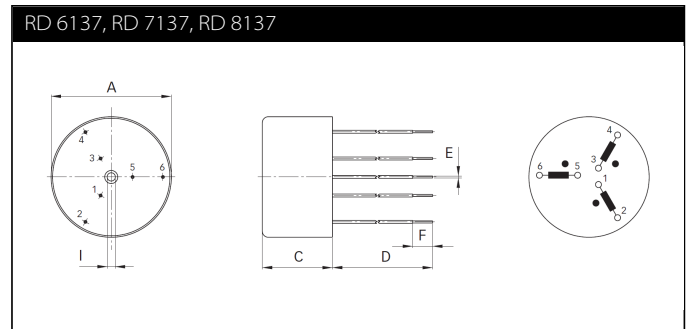
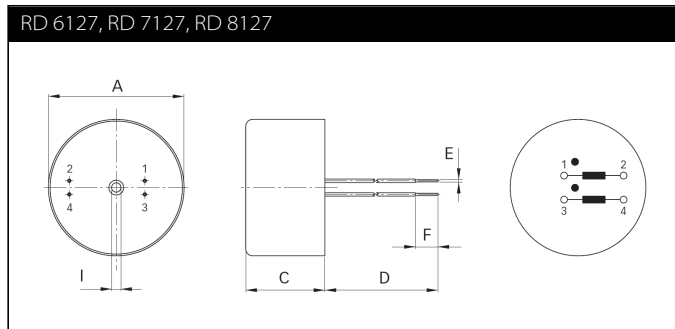
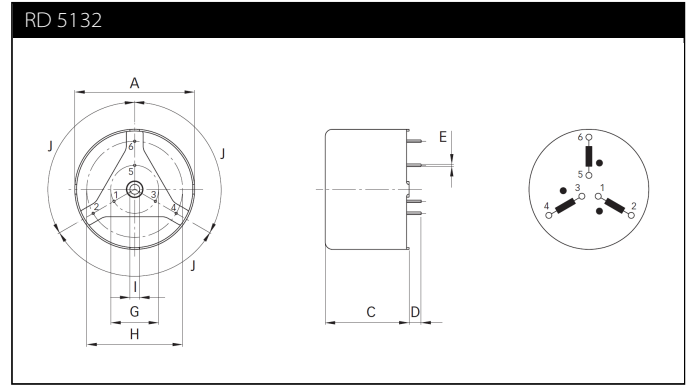
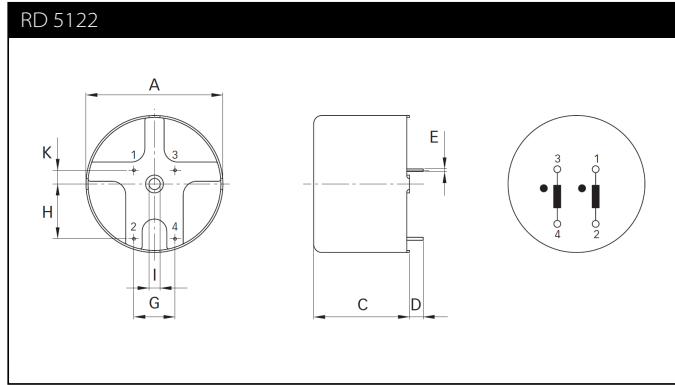
RD 71x7



RD 81x7



**Mechanical data**



**Dimensions**

	<b>RD 5122</b>	<b>RD 5132</b>	<b>RD 6127</b>	<b>RD 6137</b>	<b>RD 7127</b>	<b>RD 7137</b>	<b>RD 7147</b>	<b>RD 8127</b>	<b>RD 8137</b>	<b>RD 8147</b>	<b>Tolerances</b>
<b>A</b>	50	50	60	60	70	70	70	80	80	80	±0.5
<b>C</b>	35	35	35	35	40	40	40	50	50	50	±0.5
<b>D</b>	5 ±0.5	5 ±0.5	150	150	150	150	150	200	200	200	+5/-0
<b>E</b>											see choke selection table
<b>F</b>			10	10	10	10	10	20	20	20	±1
<b>G</b>	15	20									±0.3
<b>H</b>	20	40 ±0.4									±0.3
<b>I</b>	4.1 +3/-0	4.1 +3/-0	4.1 +3/-0	4.1 +3/-0	6.1	6.1	6.1	6.1	6.1	6.1	+6/-0
<b>J</b>		120°									
<b>K</b>	5										

All dimensions in mm; 1 inch = 25.4 mm  
 Tolerances according: ISO 2768-m/EN 22768-m

Please visit [www.schaffner.com](http://www.schaffner.com) to find more details on filter connectors.



## Headquarters, global innovation and development

### Switzerland

#### Schaffner Group

Nordstrasse 11  
4542 Luterbach  
T +41 32 681 66 26  
[info@schaffner.com](mailto:info@schaffner.com)  
<http://www.schaffner.com>



## Sales and application centers

### China

#### Schaffner EMC Ltd. Shanghai

T20-3 C, No 565 Chuangye Road,  
Pudong district  
201201 Shanghai  
T +86 21 3813 9500  
[cschina@schaffner.com](mailto:cschina@schaffner.com)  
<http://www.schaffner.com.cn>

### Finland

#### Schaffner Oy

Sauvonrinne 19 H  
08500 Lohja  
T +358 50 468 7284  
[finlandsales@schaffner.com](mailto:finlandsales@schaffner.com)

### France

#### Schaffner EMC S.A.S.

16-20 Rue Louis Rameau  
95875 Bezons  
T +33 1 34 34 30 60  
F +33 1 39 47 02 28  
[francesales@schaffner.com](mailto:francesales@schaffner.com)

### Germany

#### Schaffner Deutschland GmbH

Schoemperlenstrasse 12B  
76185 Karlsruhe  
T +49 721 56910  
F +49 721 569110  
[germanysales@schaffner.com](mailto:germanysales@schaffner.com)

### India

#### Schaffner India Pvt. Ltd

Unit 59, Level, Mfar Greenheart 7  
Manyata Tech Park, Hebbal Outer Ring Road  
560045 Bangalore  
T +91 80 6781 9805  
F +91 80 6781 9998  
[indiasales@schaffner.com](mailto:indiasales@schaffner.com)

### Italy

#### Schaffner EMC S.r.l.

Via Ticino, 30  
20900 Monza (MB)  
T +39 039 21 41 070  
[italysales@schaffner.com](mailto:italysales@schaffner.com)

### Japan

#### Schaffner EMC K.K.

1-32-12, Kamiyama, Setagaya-ku  
7F Mitsui-seimei Sengenjaya Bldg.  
154-0011 Tokyo  
T +81 3 5712 3650  
F +81 3 5712 3651  
[japansales@schaffner.com](mailto:japansales@schaffner.com)  
<http://www.schaffner.jp>

### Singapore

#### Schaffner EMC Pte Ltd.

#05-09, Kg Ubi Ind. Estate  
408705 Singapore  
T +65 6377 3283  
F +65 6377 3281  
[singaporesales@schaffner.com](mailto:singaporesales@schaffner.com)

### Spain

#### Schaffner EMC España

Calle Caléndula 93, Miniparc III, Edificio E  
El Soto de Moraleja, Alcobendas  
28109 Madrid  
T +34 917 912 900  
F +34 917 912 901  
[spainsales@schaffner.com](mailto:spainsales@schaffner.com)

### Sweden

#### Schaffner EMC AB

Tegeluddsvägen 76, 2tr  
115 28 Stockholm  
T +46 8 5050 2425  
[swedensales@schaffner.com](mailto:swedensales@schaffner.com)  
<http://www.schaffner.com>

### Switzerland

#### Schaffner EMV AG

Nordstrasse 11  
4542 Luterbach  
T +41 32 681 66 26  
[switzerlandsales@schaffner.com](mailto:switzerlandsales@schaffner.com)

### Taiwan R.O.C.

#### Schaffner EMV Ltd.

20 Floor-2, No 97, Section 1, XinTai 5th Road  
22175 XiZhi District New Taipei City 22175  
T +886 2 2697 5500  
F +886 2 2697 5533  
[taiwansales@schaffner.com](mailto:taiwansales@schaffner.com)  
<http://www.schaffner.com.tw>

### Thailand

#### Schaffner EMC Co. Ltd.

Northern Region Industrial Estate  
67 Moo 4 Tambon Ban Klang  
Amphur Muangng P.O. Box 14  
51000 Lamphun  
T +66 53 58 11 04  
F +66 53 58 10 19  
[thailandsales@schaffner.com](mailto:thailandsales@schaffner.com)

### United Kingdom

#### Schaffner Ltd.

5 Ashville Way, Molly Millars Lane  
Wokingham  
RG41 2PL Berkshire  
T +44 118 9770070  
F +44 118 9792969  
[uksales@schaffner.com](mailto:uksales@schaffner.com)

### USA

#### Schaffner EMC Inc.

52 Mayfield Avenue  
08837 Edison, New Jersey  
T +1 800 367 5566  
T +1 732 225 9533  
F +1 732 225 4789  
[usasales@schaffner.com](mailto:usasales@schaffner.com)  
<http://www.schaffnerusa.com>

#### Schaffner North America

6722 Thirlane Road  
24019 Roanoke, Virginia  
T +1 276 228 7943  
F +1 276 228 7953

#### Schaffner North America

823 Fairview Road  
24382 Wytheville, Virginia  
T +1 276 228 7943  
F +1 276 228 7258

To find your local partner within Schaffner's global network: [www.schaffner.com](http://www.schaffner.com)

© 2017 Schaffner Group

The content of this document has been carefully checked and understood. However, neither Schaffner nor its subsidiaries assume any liability whatsoever for any errors or inaccuracies of this document and the consequences thereof. Published specifications are subject to change without notice. Product suitability for any area of application must ultimately be determined by the customer. In all cases, products must never be operated outside their published specifications. Schaffner does not guarantee the availability of all published products. This disclaimer shall be governed by substantive Swiss law and resulting disputes shall be settled by the courts at the place of business of Schaffner Holding AG. Latest publications and a complete disclaimer can be downloaded from the Schaffner website. All trademarks recognized.