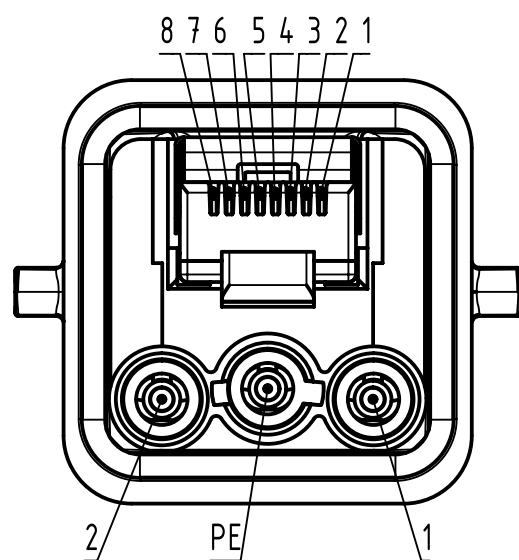
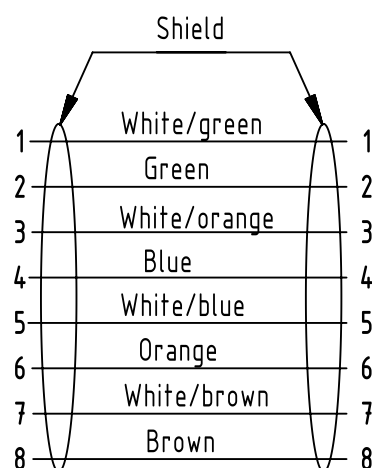


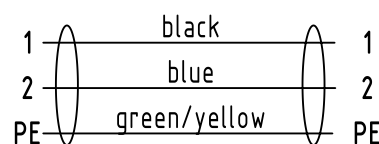
X (2:1)



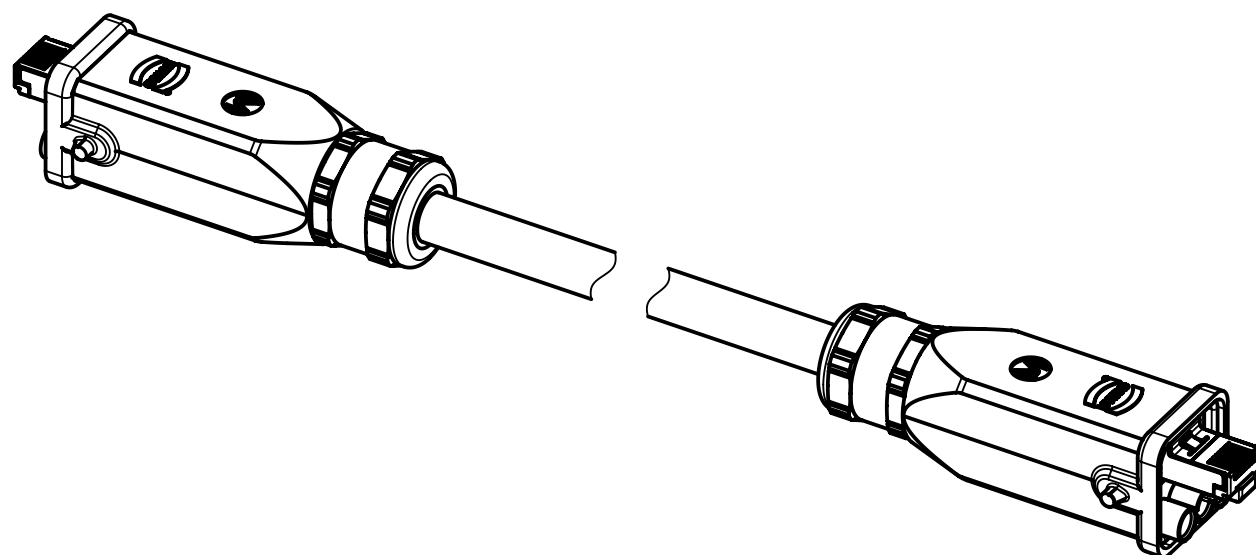
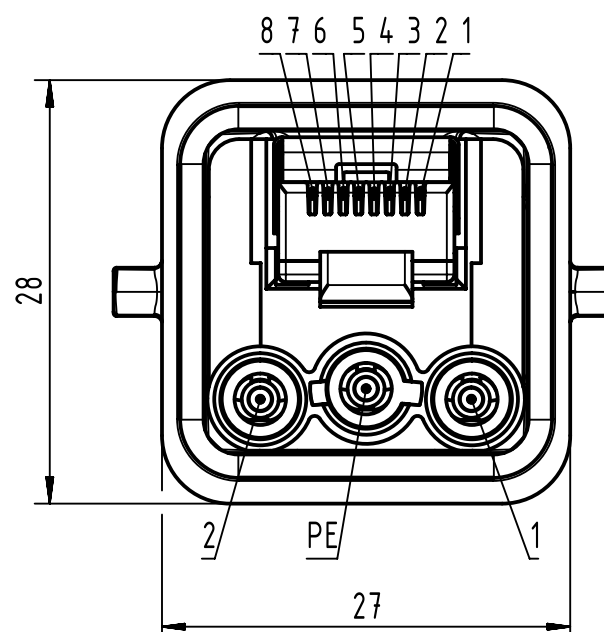
Loading-Plan (Data)



Loading-Plan (Power-DC version)




Y (2:1)



	All rights reserved Department EC PD - RO	All Dimensions in mm Original Size DIN A3	Scale 1:1	Free size tol.	Ref. Sub.
	HARTING Electronics GmbH D-32339 Espelkamp	Created by POPESCUD	Inspected by AVRAM	Standardisation HOFFMANN	Date 2015-12-18
Title Han 3A RJ45 Hybrid Cable Assembly				State Final Release	
Type TB				Number 33572110XX000X	
				Doc-Key / ECM-Nr. 100154019/UGD/013/C 50000098235	
				Rev. <b>C</b> Page 1/2	

	1	2	3	4	5	6	7	8	
A									A
B									B
C									C
D									D
E									E
F									F
	1	2	3	4	5	6	7	8	

7	33572110200002	Hybrid cable 4x2AWG26/7+3x2.5 sqmm, 2xHan 3A, DC	20
6	33572110100002		10
5	33572110060002		6
4	33572110050002		5
3	33572110030002		3
2	33572110020002		2
1	33572110010002		1
Cont. no.	Part-no.	Type of cable	Dim. a[m]

	All Dimensions in mm Original Size DIN A3	Scale 1:1	Free size tol.		Ref. Sub.
	All rights reserved Department EC PD - RO	Created by POPESCU	Inspected by AVRAM	Standardisation HOFFMANN	Date 2015-12-18
HARTING Electronics GmbH D-32339 Espelkamp		Title Han 3A RJ45 Hybrid Cable Assembly			Doc-Key / ECM-Nr. 100154019/UGD/013/C 50000098235
		Type TB	Number 33572110XX000X		Rev. <b>C</b> Page 2/2