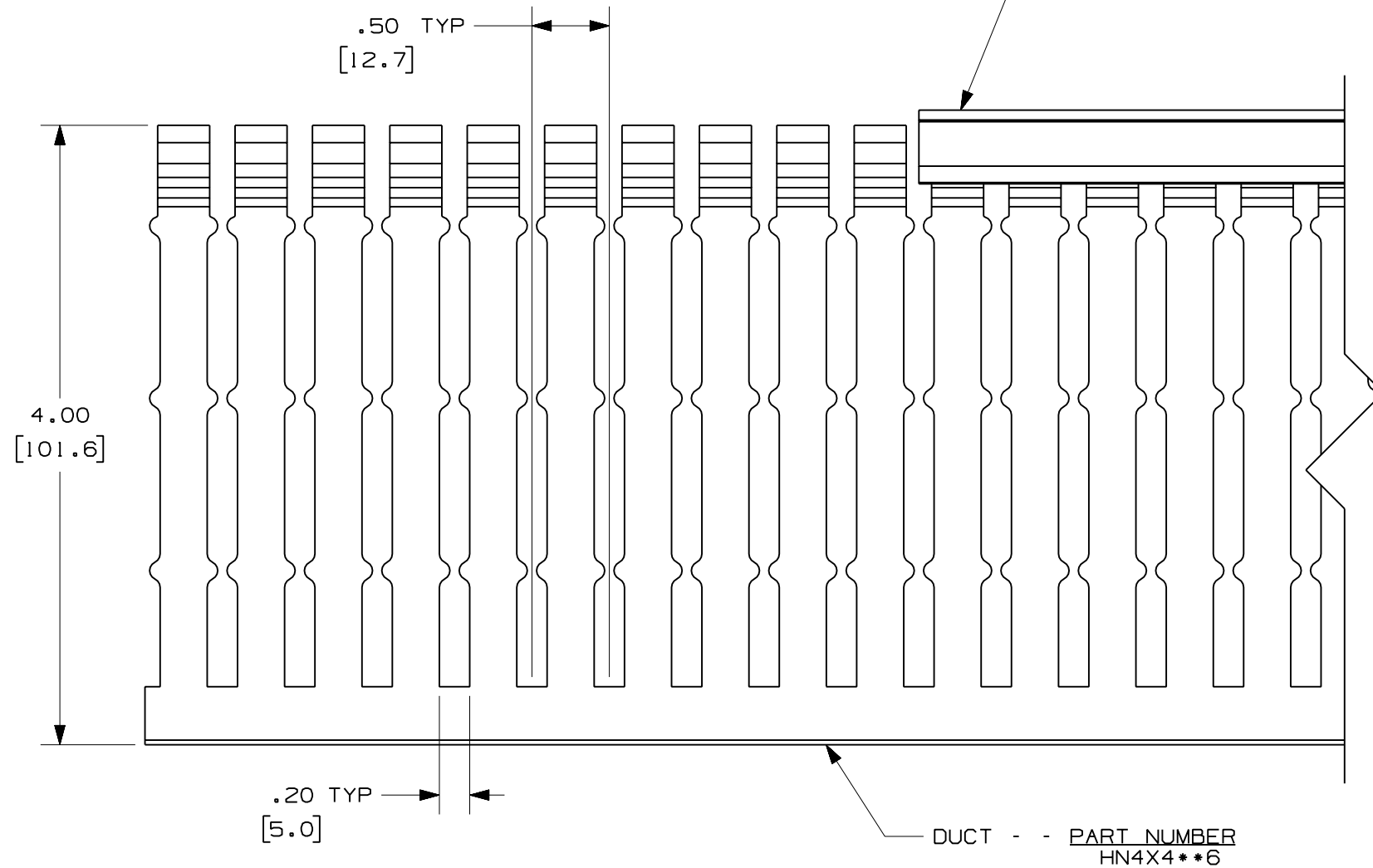
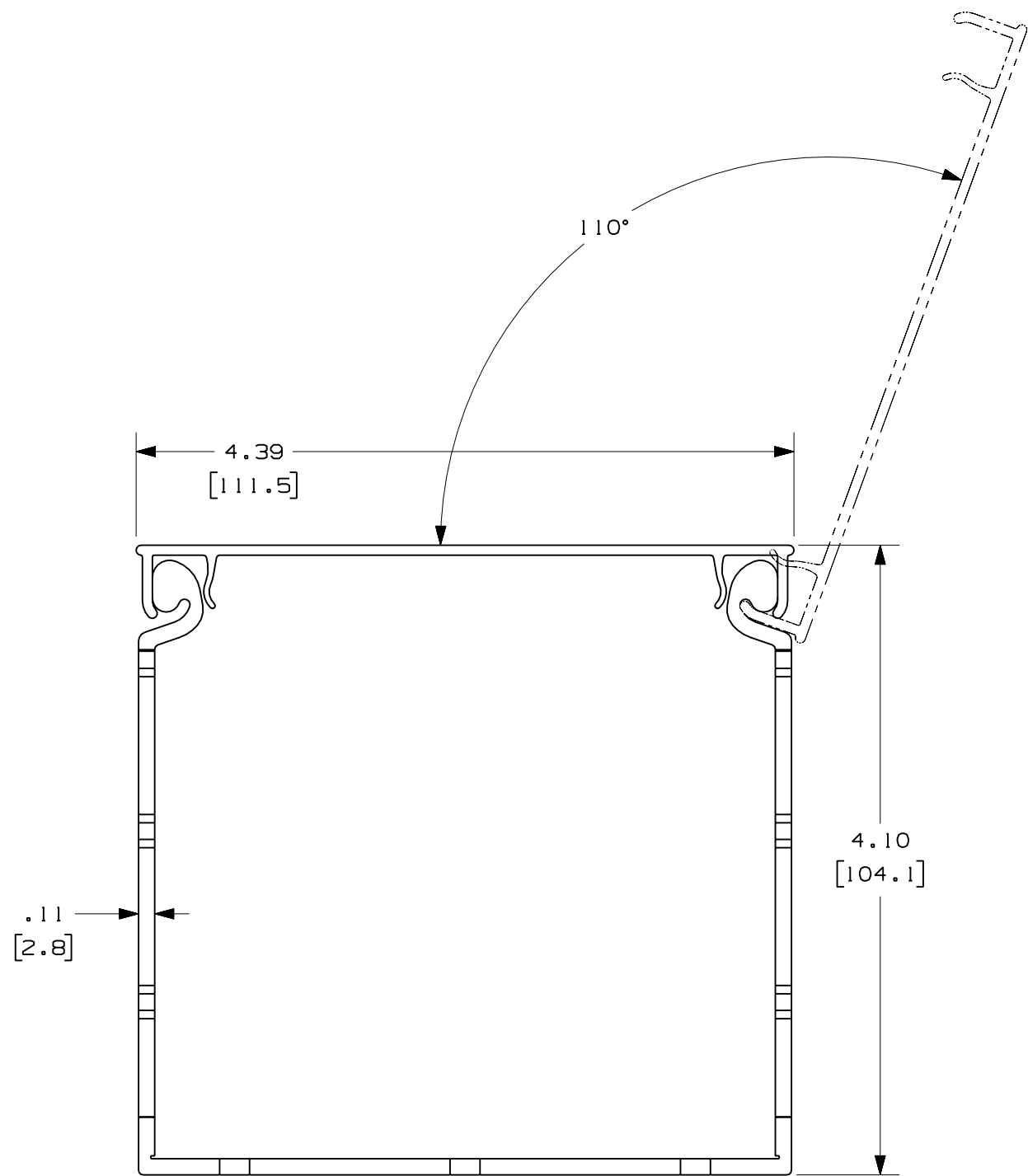
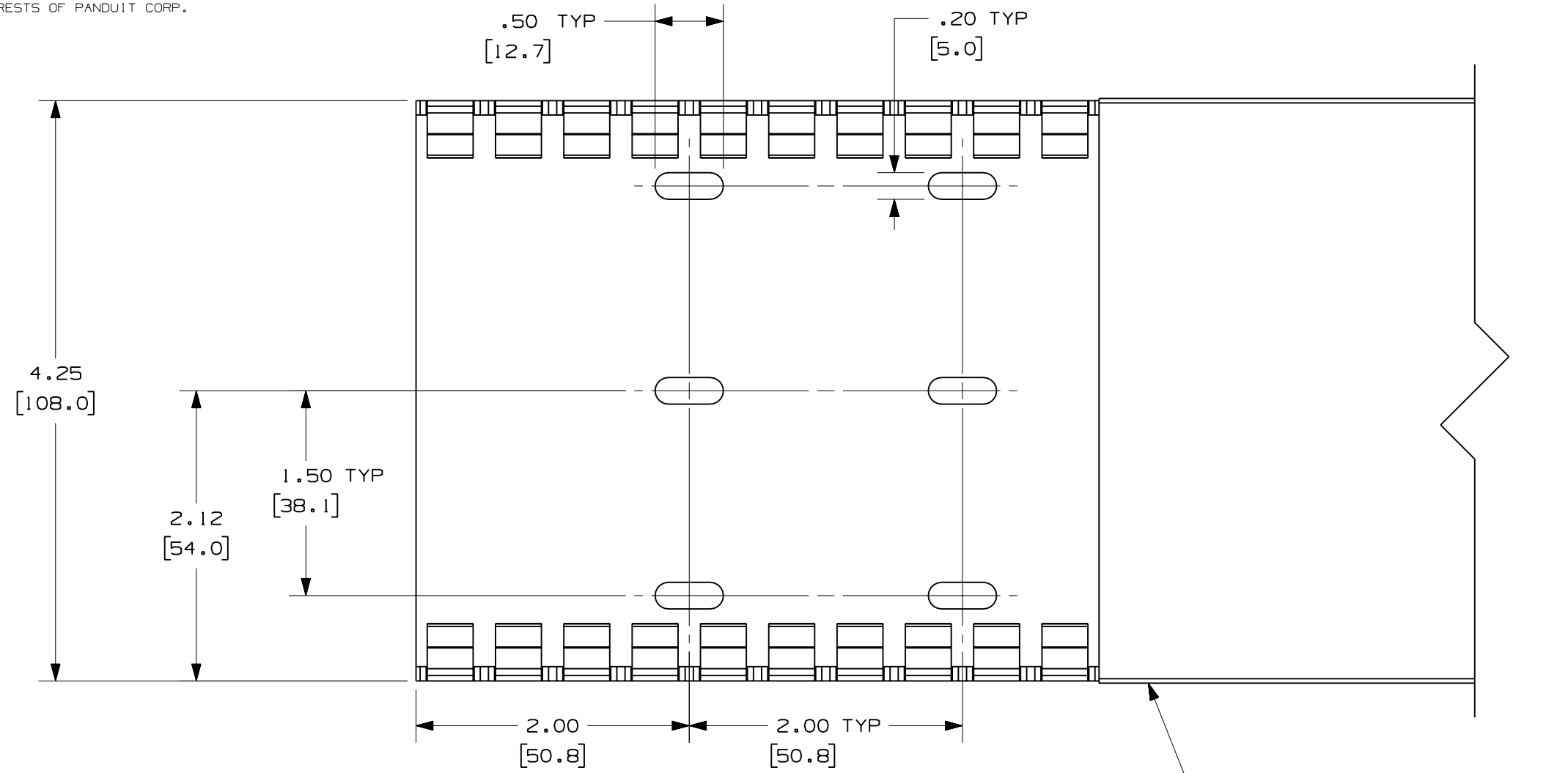


THIS COPY IS PROVIDED ON A RESTRICTED BASIS AND IS NOT TO BE USED IN ANY WAY DETRIMENTAL TO THE INTERESTS OF PANDUIT CORP.



- NOTES:
 1. ALL DIMENSIONS ARE REFERENCE ONLY.
 2. DIMENSIONS IN PARENTHESES ARE METRIC.
 3. THE ** INDICATES COLOR.
 4. DUCT AND COVER ARE AVAILABLE IN 6 FT (1828.8) LENGTHS.

REV	DATE	BY	CHK	DESCRIPTION
R	11-19-07	JCST	MKBE	DRAWING RELEASED

CAD FILENAME/LAYERS		DI1000VB_DC/00A	
PANDUIT CORP. TINLEY PARK, ILLINOIS			
WIRING DUCT - TYPE HN DUCT WITH COVER 4X4			
MARKETING DRAWING			
DRAWN BY	JCST	MAT'L	PVC
DATE	11-19-07	SCALE	FULL
CHK'D	MKBE	DRAWING NO.	36897-1244
		DWG	C
		SIZE	