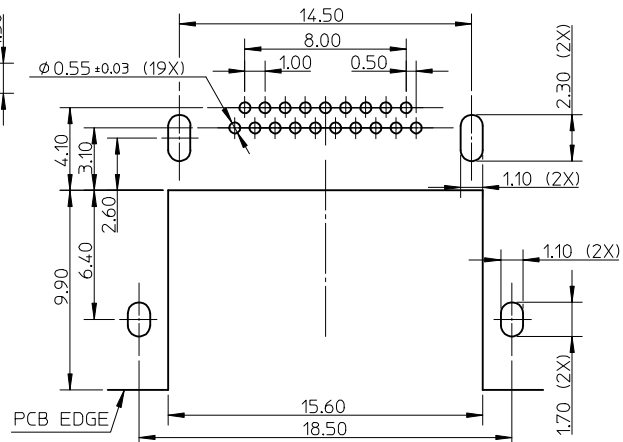
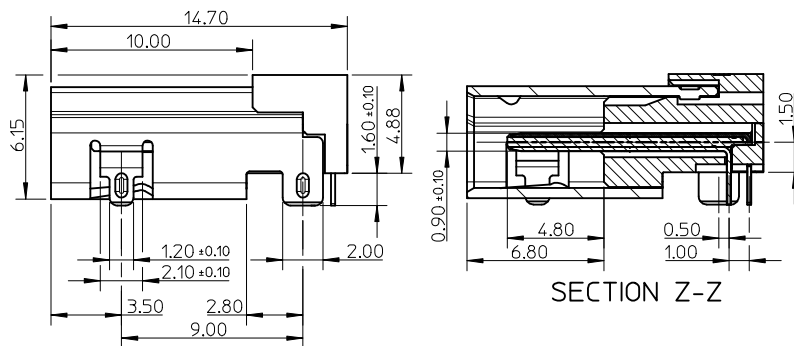
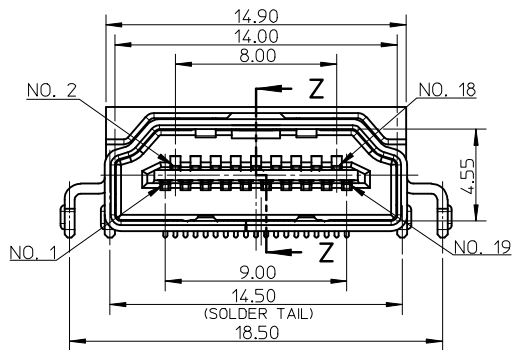
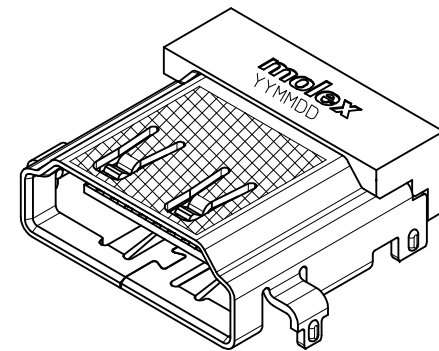
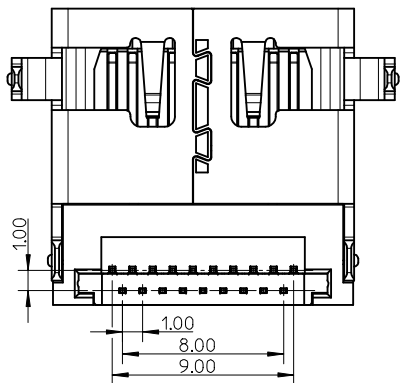


NOTES:

- MATERIAL:
 - HOUSING/COVER: HIGH TEMPERATURE THERMAL PLASTIC, UL94V-0, COLOR: BLACK.
 - SHELL: COPPER ALLOY.
 - TERMINAL: COPPER ALLOY.
- PLATING:
 - TERMINAL:
 - CONTACT AREA: SEE TABLE.
 - SOLDER AREA: 1 MICROMETER MIN. TIN-BISMUTH ALLOY PLATED.
 - UNDER PLATE: 1 MICROMETER MIN. NICKEL.
 - SHELL: 1.27 MICROMETER MIN. SOLDERABLE NICKEL PLATE OVERALL.
- PRODUCT SPECIFICATION REFER TO PS-47152-001; TBA FOR PD/NI OPTION.
- PACKAGE SPECIFICATION REFER TO PK-47630-001.
- PRODUCT COMPLIANT TO RoHS DIRECTIVE 2002/95/EC AND ELV DIRECTIVE 2000/53/EC.



47630-1013	0.05 MICROMETER MIN. GOLD PLATING OVER	HALOGEN FREE
47630-1003	0.70 MICROMETER MIN. PD/NI PLATING	HALOGEN
47630-1012	GOLD FLASH	
47630-1011	0.25 MICROMETER MIN. GOLD PLATING	HALOGEN FREE
47630-1010	0.76 MICROMETER MIN. GOLD PLATING	
47630-1002	GOLD FLASH	
47630-1001	0.25 MICROMETER MIN. GOLD PLATING	HALOGEN
47630-1000	0.76 MICROMETER MIN. GOLD PLATING	
P/N	CONTACT AREA PLATING	DESCRIPTION



ADD PART NUMBER EC NO: S2012-0578 DRWN: ZENG 2012/01/31 CHKD: JESSIECHUA 2012/03/15 APPR: NAQESHKIN 2012/03/19	QUALITY SYMBOLS ▽=0 ◻=0	GENERAL TOLERANCES (UNLESS SPECIFIED)		DIMENSION STYLE MM ONLY		SCALE 4:1	DESIGN UNITS METRIC	THIRD ANGLE PROJECTION			
		4 PLACES ± --- ± --- 3 PLACES ± --- ± --- 2 PLACES ± 0.20 ± --- 1 PLACE ± 0.30 ± ---	mm INCH ± --- ± --- ± 0.20 ± --- ± 0.30 ± ---	DRAWN BY CHEN BO	DATE 2007/10/15	TITLE HDMI RECEPTACLE RIGHT ANGLE MID MOUNT TYPE					
		ANGULAR ± 1 °		CHECKED BY JOHNSON	DATE 2007/10/15	MOLEX INCORPORATED					
		DRAFT WHERE APPLICABLE MUST REMAIN WITHIN DIMENSIONS		APPROVED BY HARVEY	DATE 2007/10/15	MATERIAL NO. SEE TABLE	DOCUMENT NO. SD-47630-100	SHEET NO. 1 OF 1			