

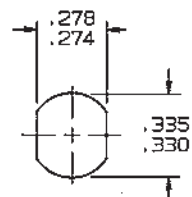
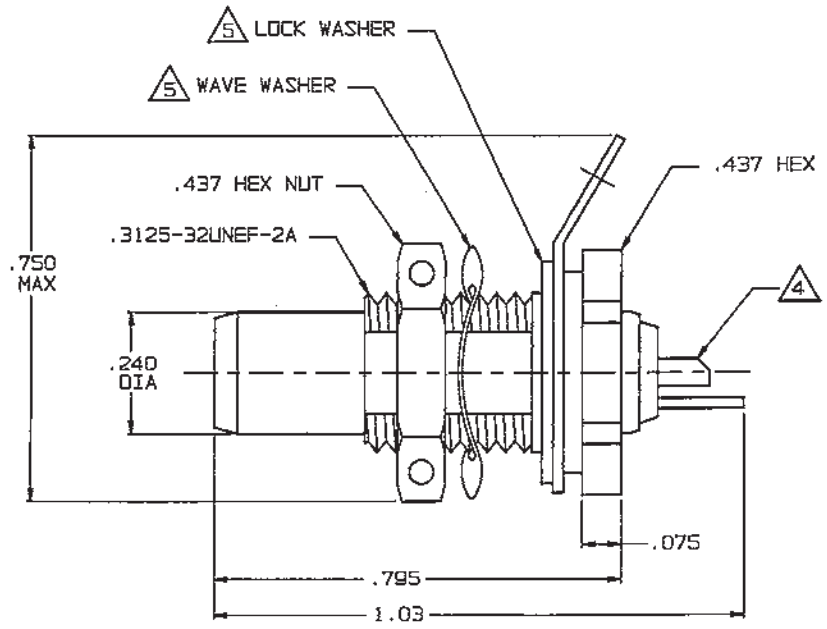
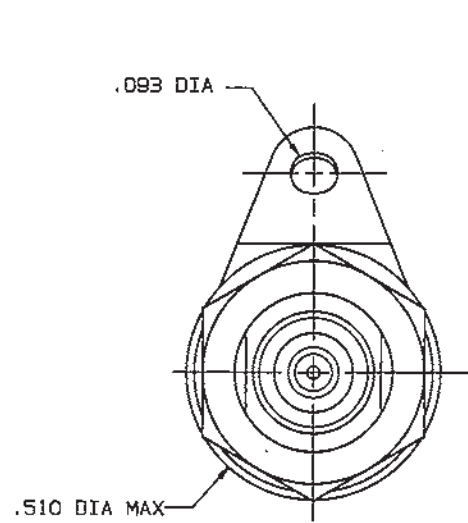
# RED INDICATES ORIGINAL

DWG SIZE  
B  
DATA CONTAINED IN THIS DOCUMENT IS PROPRIETARY TO TROMPETER ELECTRONICS INC. AND SHALL NOT BE DISCLOSED, COPIED OR USED FOR PROCUREMENT OR MANUFACTURE WITHOUT EXPRESS WRITTEN PERMISSION.

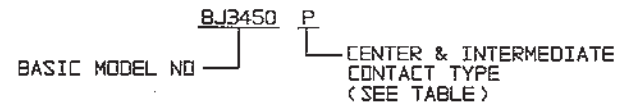
REVISIONS			3-0122		SH 1
REV	EO	DESCRIPTION	DWN	APPROVED	DATE
B	10716	GENERAL UPDATE AND CORRECTED VIEWS ON SHEETS 1 & 2; SEE ECD	DKC	<i>DM; fa</i>	6/27/94

DASH NO	MODEL NO	CENTER & INTMD CONTACT TYPE
-1	BJ3450P	SOCKET/PIN
-2	BJ3450S	PIN/SOCKET

INCH	MM	INCH	MM
.010	0.25	.278	7.06
.026	0.66	.330	8.38
.03	0.76	.335	8.51
.075	1.91	.437	11.10
.093	2.36	.510	12.95
.125	3.18	.717	18.21
.240	6.10	.750	19.05
.274	6.96	.795	20.19
		1.03	26.16



6. EXAMPLE OF COMPLETE MODEL NO:



RECOMMENDED  
PANEL CUTOUT

- 5 MAX PNL THK .125 WITH EITHER LOCKWASHER OR WAVE WASHER
- 4 SOLDER PNT ACCEPTS .026 MAX DIA CONDUCTOR
- 3. CONCENTRIC TWINAX NONINSULATED BULKHEAD MOUNT RECEPTACLE, SOCKET CENTER CONTACT AND PIN INTERMEDIATE CONTACT OR PIN CENTER CONTACT AND SOCKET INTERMEDIATE CONTACT
- 2. FINISH: TFS-111 (500 HOURS SALT SPRAY)
- 1. ALL DIM ARE IN INCHES

QTY	DESCRIPTION	PART NUMBER	ITEM
TOL UNLESS SPECIFIED .XX ± .03 .XXX ± .010 .XXXX ± ANGLE±	<b>TROMPETER</b> RF connectivity <small>a cinch connectivity solutions brand</small>	BJ3450P/S	
DWN DKC 6-16-94	MATERIAL	CODE IDENT	DRAWING NO.
CHK <i>DM</i> 6-24-94		14949	3-0122
ENGR			REV B
NEXT ASSY	APPR <i>fa</i> 6/27/94	SCALE 4/1	DATE 12-7-87 SHEET 1 OF 2