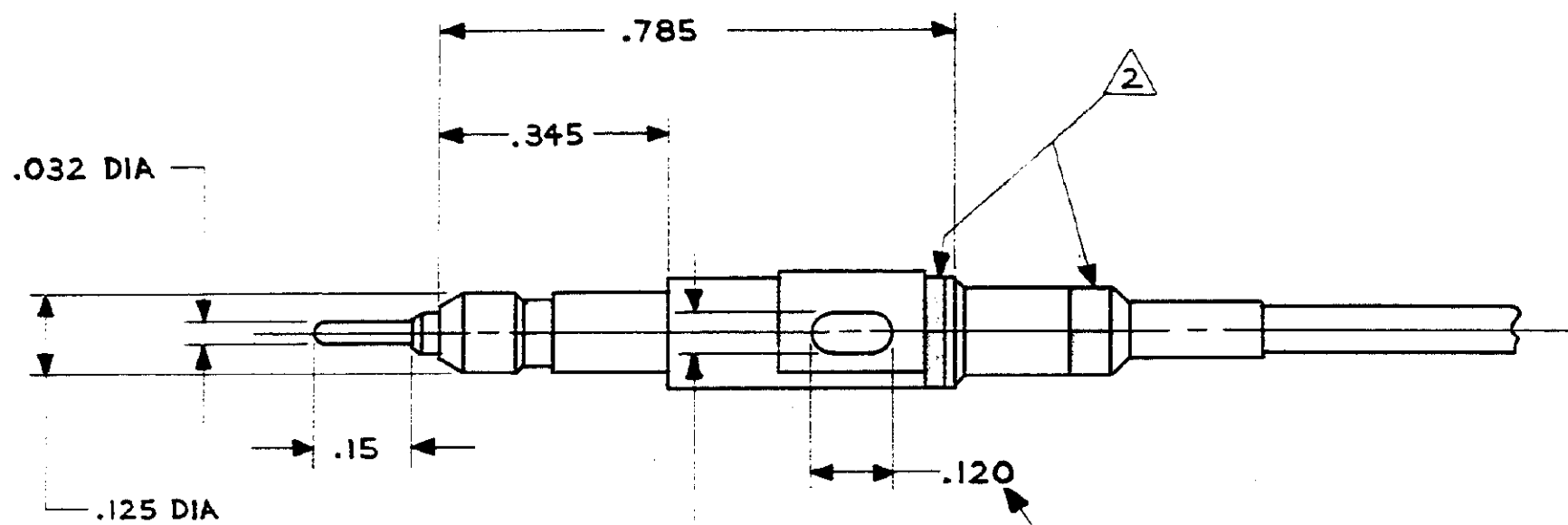
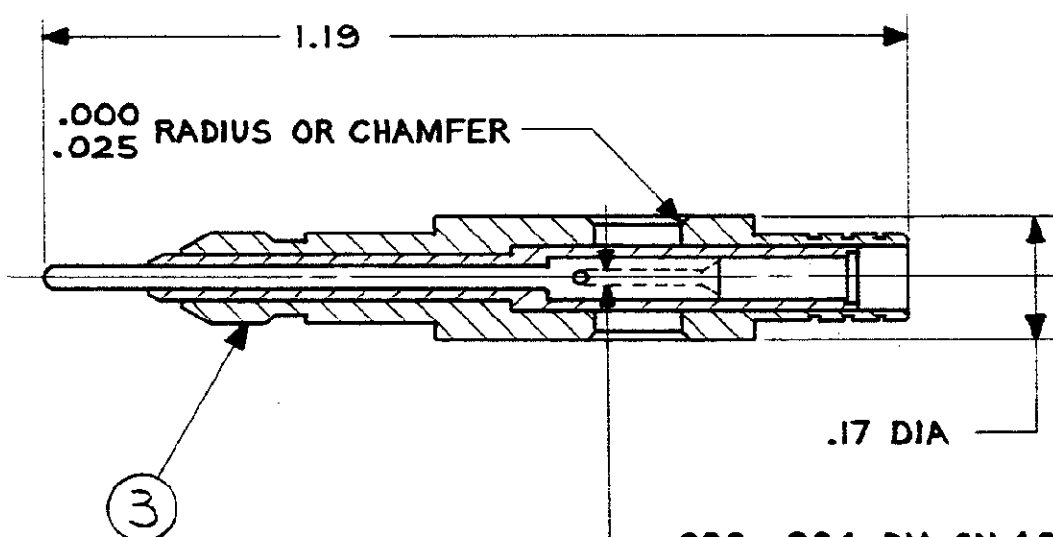
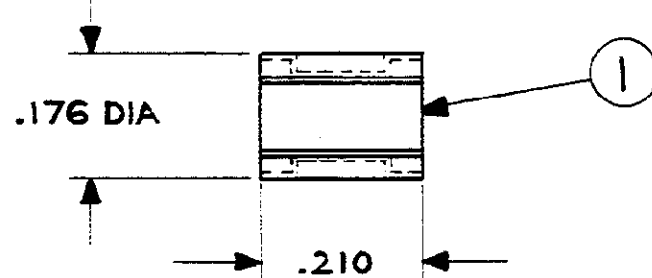


© COPYRIGHT 1965, 74, 79 BY AMP INCORPORATED, HARRISBURG, PA.  
 ALL INTERNATIONAL RIGHTS RESERVED. AMP INCORPORATED PRODUCT.  
 U.S. AND FOREIGN PATENTS AND OR PATENTS PENDING.

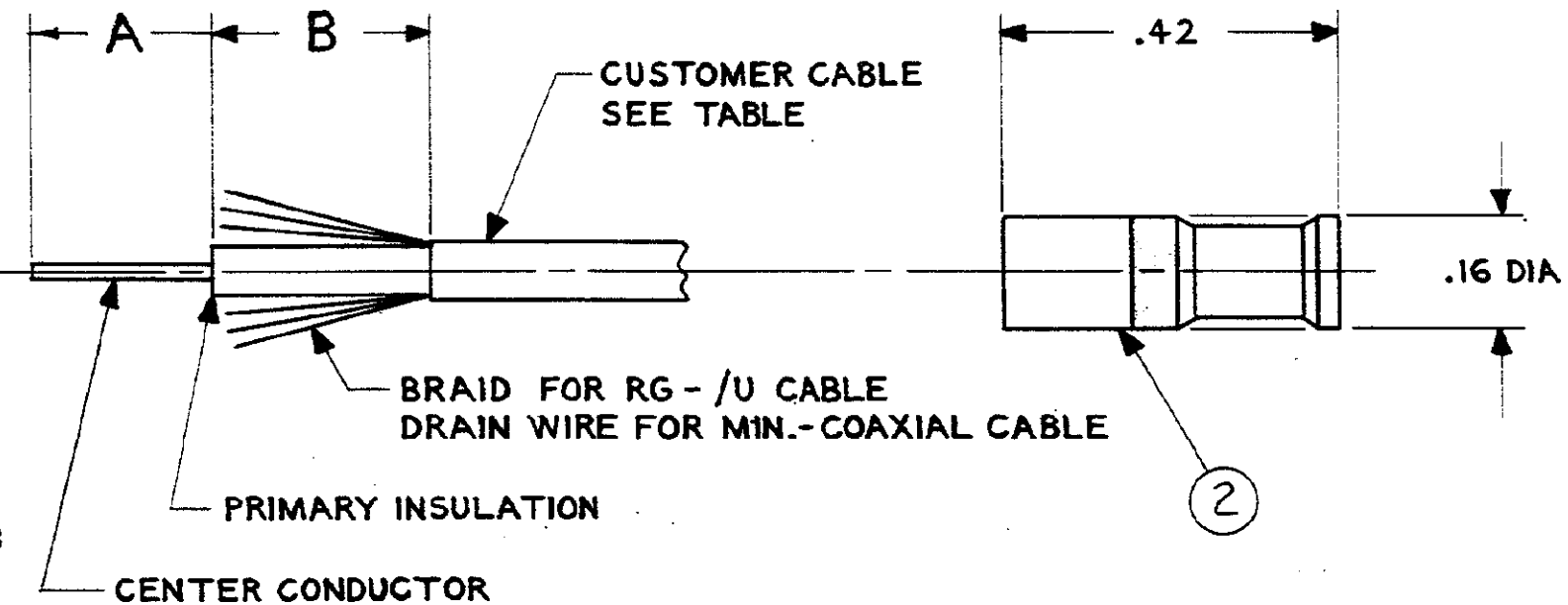
REVISIONS					DATE	APPROVED
P	F	ZONE	LTR	DESCRIPTION		
				E REDRAWN & REVISED	EA 1272	7-18-79 JM
				F OBSOLETE	EA 2265	7-18-79 JM



DIMENSIONS OF PORT IN BARREL



.022-.024 DIA ON 422390-1 & -3  
 .018-.021 DIA ON 422390-2



A	B	COLOR CODING	DIE SET	HAND TOOL	TYPE OF CABLE	REAR TERM. ASSY	FERRULE	SHIELD CLIP	KIT PART NO.
.22	.25	BLACK	402953	402039	RG-178, 178A, 196	422386-3	435936-1	421260-2	422390-3 OBSOLETE
.25	.31		402953	402039	ALPHA 9500 MIN. COAX	422386-2	328666	421260-2	422390-2
.22	.25		402953	402039	RG-178, 178A, 196	422386-1	328666	421260-2	422390-1

- 1 PATCHCORD KIT MAY BE CRIMPED ON WIRE USING HAND TOOL OR BY USING DIE SET IN PNEUMATIC TOOL.
- 2 REAR TERMINAL ASS'Y AND FERRULE IS CODED WITH STRIPE WHEN SPECIFIED IN TABLE.
- 3. FOR ASSEMBLY OF THIS KIT SEE INSTRUCTION SHEET \* IS 398010.

UNLESS OTHERWISE SPECIFIED DIMENSIONS ARE IN INCHES. TOLERANCES ON: DECIMALS = .02 ANGLES = .02		CONTRACT NO	AMP INCORPORATED Harrisburg, Pa.	
MATERIAL	FINISH	DR <i>Ally Mellinton</i> 7-18-79 CHK <i>R. Smith</i> 3-8-79 APPD <i>AB Mummy</i> 8-9-79 APPD		
		DSGN APPD	NAME	
		OTHER APPD	REAR TERMINAL KIT	
			SIZE	CODE IDENT NO
			C	00779
			DRAWING NO	
			422390	
			SCALE	SHEET
			4:1	

CUSTOMER DRAWING