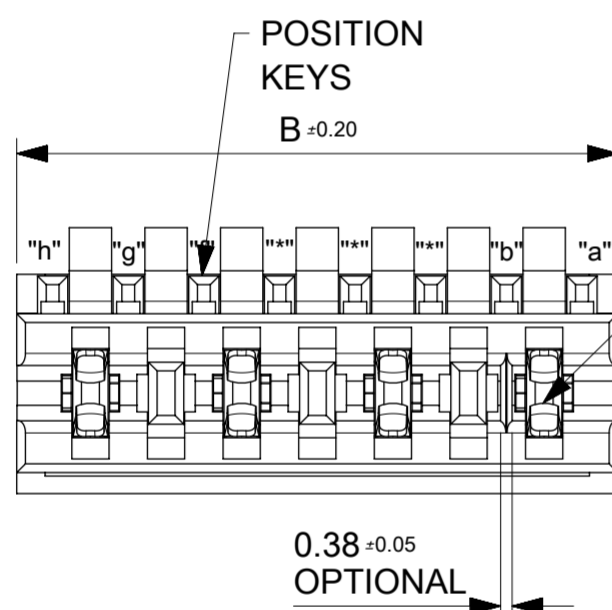
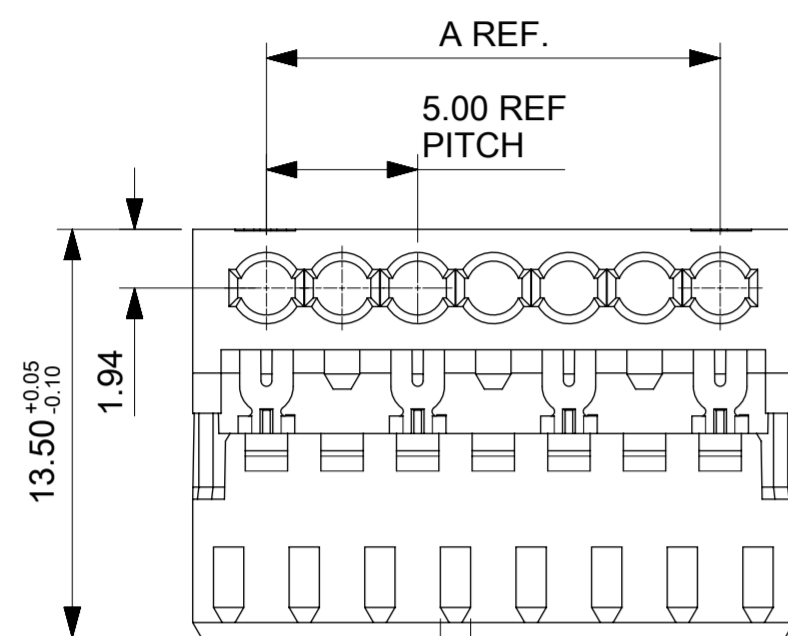
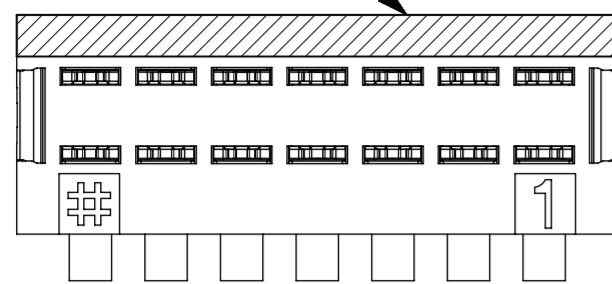
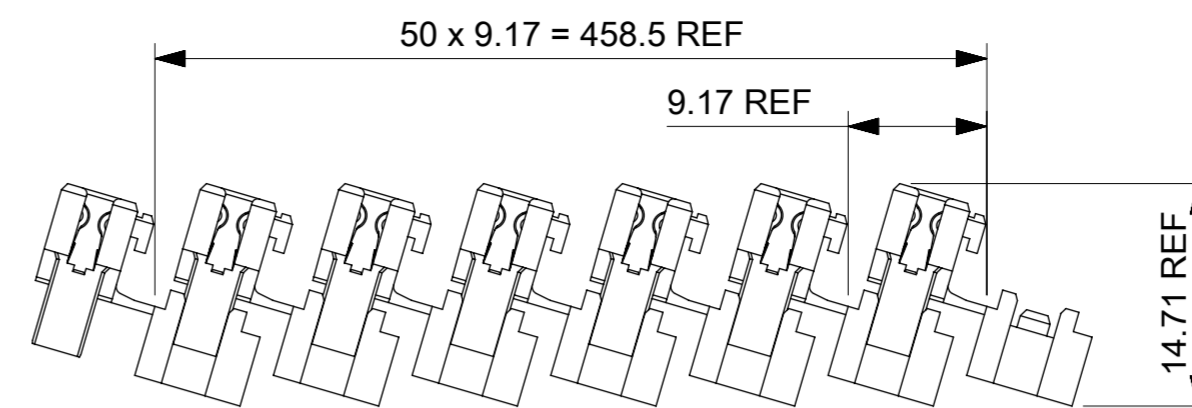


POSITION OF COLOUR STRIPE (see note 3)

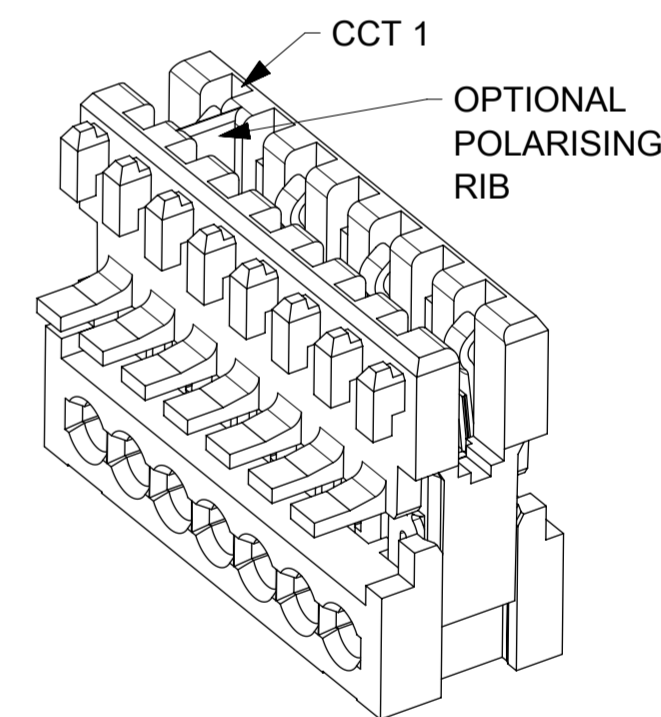
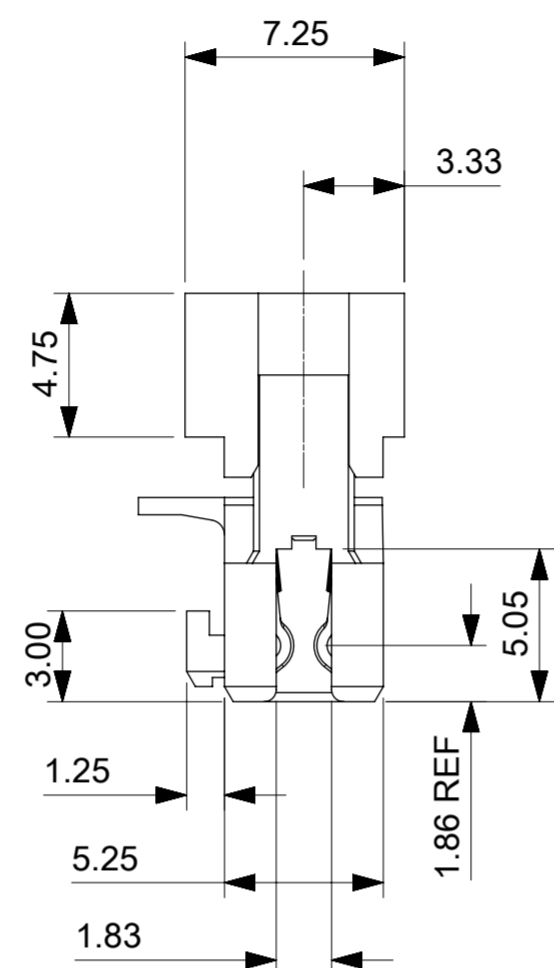


CIRCUIT 1



SHIPPING ARRANGEMENT

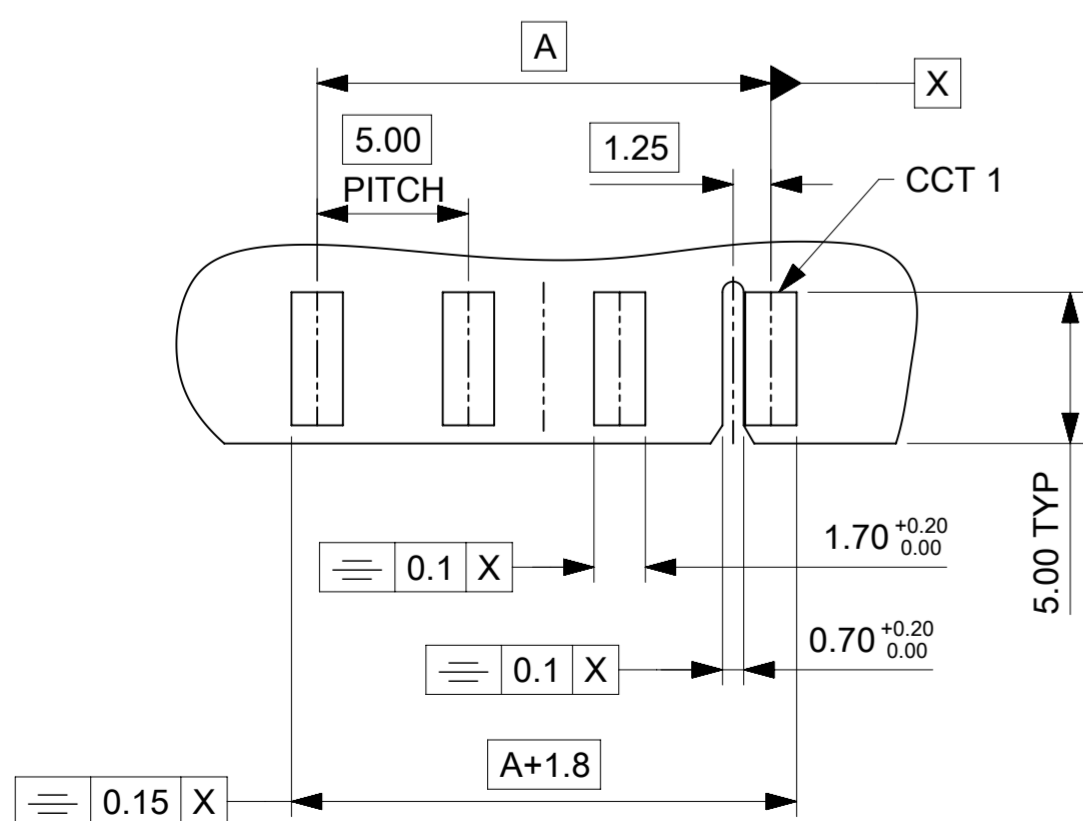
CCT	A	B
2	5.0	9.875
3	10.0	14.875
4	15.0	19.875
5	20.0	24.875
6	25.0	29.875
7	30.0	34.875
8	35.0	39.875
9	40.0	44.875
10	45.0	49.875



OPEN END WALLS OPTION.

NOTES:

- REFER TO PRODUCT SPECIFICATION: PS-99020-0040.
- MATERIAL: HOUSING - NYLON PA6 UL94-V0, COLOUR: NATURAL (WHITE).
TERMINAL: PHOSPHOR BRONZE 0.30 REF. THICK - PLATING HOT TIN DIP.
- COLOUR STRIPE IS OPTIONAL. AVAILABLE IN THE FOLLOWING COLOURS: BLACK, RED, GREEN, BLUE
- REFER TO PACKAGING SPEC (PK-90871-001).
- REFER TO APPLICATION SPEC (AS-99033-0008)



- PCB LAYOUT FOR 4CCT (5mm) CONNECTOR (WITH OPTIONAL POSITIONAL RIB SLOT BETWEEN CCT 1 & 2)
- RECOMMENDED PCB THICKNESS 1.5±0.14MM

THIS DRAWING CONTAINS INFORMATION THAT IS PROPRIETARY TO MOLEX ELECTRONIC TECHNOLOGIES, LLC AND SHOULD NOT BE USED WITHOUT WRITTEN PERMISSION

NX - RELEASE EC NO: 105096 DRWN: CFISHER01 CHKD: CMONAHAN REV: APPR: BRUTTLE	2016/05/06	2016/06/12	2016/07/01	GENERAL TOLERANCES (UNLESS SPECIFIED)	DIMENSION UNITS	SCALE	
				ANGULAR TOL ± 0.5 °	MM		
	4 PLACES	±		DRWN BY	DATE	CFISHER01 2016/05/06	
	3 PLACES	±	0.05	CHK'D BY	DATE	CMONAHAN 2016/06/12	
2 PLACES	±	0.1	APPR BY	DATE	BRUTTLE 2016/07/01	PRODUCT CUSTOMER DRAWING	
1 PLACE	±	0.2			DRAWING SIZE	THIRD ANGLE PROJECTION	SERIES
0 PLACES	±				A2		MATERIAL NUMBER
DRAFT WHERE APPLICABLE MUST REMAIN WITHIN DIMENSIONS							CUSTOMER
							91717
							DOCUMENT NUMBER
							917170001
							DOC TYPE
							PSD
							DOC PART
							000
							SHEET NUMBER
							1 OF 4

2 CIRCUIT							
PART NUMBER	HOUSING USED	REMOVED POSITION KEYS	CONFIGURATION	FIRST ENDWALL	LAST ENDWALL	POLARIZING RIB BETWEEN	COLOUR STRIPE
91717-0002	91715-0003	NONE		OPEN	OPEN	NONE	NONE
91717-0003	91715-0003	a		OPEN	OPEN	NONE	NONE
91717-0004	91715-0003	b		OPEN	OPEN	NONE	NONE
91717-0005	91715-0003	c		OPEN	OPEN	NONE	NONE
91717-0006	91715-0003	d		OPEN	OPEN	NONE	NONE
91717-0007	91715-0003	b d		OPEN	OPEN	NONE	NONE
91717-0008	91715-0003	a c		OPEN	OPEN	NONE	NONE
91717-0009	91715-0003	a d		OPEN	OPEN	NONE	NONE
91717-0010	91715-0003	a b		OPEN	OPEN	NONE	NONE
91717-0011	91715-0003	b c		OPEN	OPEN	NONE	NONE
91717-0012	91715-0003	c d		OPEN	OPEN	NONE	NONE
91717-0013	91715-0003	b c		OPEN	OPEN	NONE	RED
91717-0014	91715-0003	b c d		OPEN	OPEN	NONE	NONE
91717-0015	91715-0003	b c d		OPEN	OPEN	NONE	BLUE
91717-0016	91715-0003	c d		OPEN	OPEN	NONE	BLUE
91717-0017	91715-0203	NONE		OPEN	OPEN	CCT 2&3	NONE
91717-0018	91715-0103	NONE		OPEN	OPEN	CCT 1&2	NONE
91717-0019	91715-0003	NONE		OPEN	OPEN	NONE	BLUE
91717-0020	91715-0003	a c		OPEN	OPEN	NONE	BLUE
91717-0021	91715-0003	b c		OPEN	OPEN	NONE	GREEN
91717-0022	91715-0003	a d		OPEN	OPEN	NONE	GREEN
91717-0023	91715-0003	NONE		OPEN	OPEN	NONE	GREEN
91717-0024	91715-0103	d		OPEN	OPEN	CCT 1&2	RED
91717-0025	91715-0103	a c		OPEN	OPEN	CCT 1&2	RED
91717-0026	91715-0203	a		OPEN	OPEN	CCT 2&3	NONE
91717-0027	91715-0203	NONE		OPEN	OPEN	CCT 2&3	RED
91717-0028	91715-0003	a		OPEN	OPEN	NONE	RED
91717-0029	91715-0003	NONE		OPEN	OPEN	NONE	RED
91717-0030	91715-0103	b c d		OPEN	OPEN	CCT 1&2	RED
91717-0031	91715-0203	a		OPEN	OPEN	CCT 2&3	RED

2 CIRCUIT (CONT)							
PART NUMBER	HOUSING USED	REMOVED POSITION KEYS	CONFIGURATION	FIRST ENDWALL	LAST ENDWALL	POLARIZING RIB BETWEEN	COLOUR STRIPE
91717-0032	91715-0003	b		OPEN	OPEN	NONE	RED
91717-0033	91715-0003	d		OPEN	OPEN	NONE	YELLOW
91717-0035	91715-0003	b d		OPEN	OPEN	NONE	GREEN
91717-0036	91715-0103	NONE		OPEN	OPEN	CCT 1&2	RED
91717-0037	91715-0103	b d		OPEN	OPEN	CCT 1&2	RED
91717-0038	91715-0203	a c		OPEN	OPEN	CCT 2&3	NONE
91717-0039	91715-0003	a b d		OPEN	OPEN	NONE	NONE
91717-0040	91715-0003	a		OPEN	OPEN	NONE	BLUE

NOTES

- + DENOTES TERMINAL VOIDED POSITION
⊕ DENOTES TERMINAL LOADED POSITION
| DENOTES POLARIZING RIB POSITION
- MOLEX HOUSING NO. FOR REFERENCE ONLY

THIS DRAWING CONTAINS INFORMATION THAT IS PROPRIETARY TO MOLEX ELECTRONIC TECHNOLOGIES, LLC AND SHOULD NOT BE USED WITHOUT WRITTEN PERMISSION

NX - RELEASE EC NO: 105096 DRWN: CFISHER01 CHKD: CMONAHAN APPR: BRUTTLE	2016/05/06 2016/06/12 2016/07/01	GENERAL TOLERANCES (UNLESS SPECIFIED) ANGULAR TOL ± 0.5 °	DIMENSION UNITS: MM SCALE:			
	DRWN BY: CFISHER01 DATE: 2016/05/06	4 PLACES ± 3 PLACES ± 0.05 2 PLACES ± 0.1 1 PLACE ± 0.2 0 PLACES ±	DRWN BY: CFISHER01 DATE: 2016/05/06		APPLI-MATE 2.5 FEMALE 5MM TERMINAL PITCH (MATL: NYLON PA6)	
	CHKD BY: CMONAHAN DATE: 2016/06/12	APPR BY: BRUTTLE DATE: 2016/07/01	DRWN BY: BRUTTLE DATE: 2016/07/01			PRODUCT CUSTOMER DRAWING
	DRAFT WHERE APPLICABLE MUST REMAIN WITHIN DIMENSIONS	DRAWING SIZE: A2 THIRD ANGLE PROJECTION	SERIES: 91717 MATERIAL NUMBER: 917170001 CUSTOMER:			DOCUMENT NUMBER: 917170001 DOC TYPE: PSD DOC PART: 000 SHEET NUMBER: 2 OF 4

3 CIRCUIT							
PART NUMBER	HOUSING USED	REMOVED POSITION KEYS	CONFIGURATION	FIRST ENDWALL	LAST ENDWALL	POLARIZING RIB BETWEEN	COLOUR STRIPE
91717-1001	91715-0005	NONE		OPEN	OPEN	NONE	NONE
91717-1002	91715-0005	b		OPEN	OPEN	NONE	NONE
91717-1003	91715-0005	c		OPEN	OPEN	NONE	NONE
91717-1004	91715-0005	c d e		OPEN	OPEN	NONE	NONE
91717-1005	91715-0405	NONE		OPEN	OPEN	CCT 4&5	NONE
91717-1007	91715-0105	NONE		OPEN	OPEN	CCT 1&2	NONE
91717-1008	91715-0005	d e f		OPEN	OPEN	NONE	RED
91717-1009	91715-0005	a b c		OPEN	OPEN	NONE	RED
91717-1010	91715-0005	a c d e		OPEN	OPEN	NONE	NONE
91717-1011	91715-0005	a c d e		OPEN	OPEN	NONE	BLUE
91717-1012	91715-0005	b c d e		OPEN	OPEN	NONE	NONE
91717-1013	91715-0005	a c e		OPEN	OPEN	NONE	NONE
91717-1014	91715-0005	a e		OPEN	OPEN	NONE	NONE
91717-1015	91715-0005	a e		OPEN	OPEN	NONE	BLACK
91717-1016	91715-0005	d e f		OPEN	OPEN	NONE	NONE
91717-1017	91715-0005	NONE		OPEN	OPEN	NONE	GREEN
91717-1018	91715-0005	d f		OPEN	OPEN	NONE	NONE
91717-1019	91715-0425	NONE		CLOSED	CLOSED	CCT 4&5	NONE
91717-1020	91715-0005	d		OPEN	OPEN	NONE	NONE

4 CIRCUIT							
PART NUMBER	HOUSING USED	REMOVED POSITION KEYS	CONFIGURATION	FIRST ENDWALL	LAST ENDWALL	POLARIZING RIB BETWEEN	COLOUR STRIPE
91717-2001	91715-0007	NONE		OPEN	OPEN	NONE	NONE
91717-2002	91715-0007	a		OPEN	OPEN	NONE	NONE
91717-2003	91715-0007	b		OPEN	OPEN	NONE	NONE
91717-2004	91715-0007	d f		OPEN	OPEN	NONE	NONE
91717-2005	91715-0007	a e g		OPEN	OPEN	NONE	RED
91717-2006	91715-0007	c e		OPEN	OPEN	NONE	NONE
91717-2007	91715-0007	a b d e g		OPEN	OPEN	NONE	NONE
91717-2008	91715-0007	NONE		OPEN	OPEN	NONE	BLUE
91717-2009	91715-0007	a d g		OPEN	OPEN	NONE	BROWN
91717-2010	91715-0007	a b f g h		OPEN	OPEN	NONE	BROWN
91717-2011	91715-0007	NONE		OPEN	OPEN	NONE	GREEN
91717-2014	91715-0007	a c f		OPEN	OPEN	NONE	NONE

NOTES

- + DENOTES TERMINAL VOIDED POSITION
⊕ DENOTES TERMINAL LOADED POSITION
| DENOTES POLARIZING RIB POSITION
- MOLEX HOUSING NO. FOR REFERENCE ONLY

THIS DRAWING CONTAINS INFORMATION THAT IS PROPRIETARY TO MOLEX ELECTRONIC TECHNOLOGIES, LLC AND SHOULD NOT BE USED WITHOUT WRITTEN PERMISSION

NX - RELEASE EC NO: 105096 DRWN: CFISHER01 CHKD: CMONAHAN APPR: BRUTTLE	2016/05/06 2016/06/12 2016/07/01	GENERAL TOLERANCES (UNLESS SPECIFIED) ANGULAR TOL ± 0.5 °	DIMENSION UNITS: MM SCALE:	
	4 PLACES ± 3 PLACES ± 0.05 2 PLACES ± 0.1 1 PLACE ± 0.2 0 PLACES ±	DRWN BY: CFISHER01 DATE: 2016/05/06 CHK'D BY: CMONAHAN DATE: 2016/06/12 APPR BY: BRUTTLE DATE: 2016/07/01	PRODUCT CUSTOMER DRAWING	
	DRAFT WHERE APPLICABLE MUST REMAIN WITHIN DIMENSIONS	DRAWING SIZE: A2 THIRD ANGLE PROJECTION	SERIES: 91717 MATERIAL NUMBER: 917170001 CUSTOMER:	
	RELEASE STATUS: P1 RELEASE DATE: 01.07.2016 10:03:05	DOCUMENT NUMBER: 917170001 DOC TYPE: PSD DOC PART: 000 SHEET NUMBER: 3 OF 4	APPLI-MATE 2.5 FEMALE 5MM TERMINAL PITCH (MATL: NYLON PA6)	

5 CIRCUIT							
PART NUMBER	HOUSING USED	REMOVED POSITION KEYS	CONFIGURATION	FIRST ENDWALL	LAST ENDWALL	POLARIZING RIB BETWEEN	COLOUR STRIPE
91717-3001	91715-0009	NONE		OPEN	OPEN	NONE	NONE
91717-3002	91715-0009	b c g h i		OPEN	OPEN	NONE	GREEN
91717-3003	91715-0009	ALL		OPEN	OPEN	NONE	NONE
91717-3004	91715-0009	NONE		OPEN	OPEN	NONE	RED

6 CIRCUIT							
PART NUMBER	HOUSING USED	REMOVED POSITION KEYS	CONFIGURATION	FIRST ENDWALL	LAST ENDWALL	POLARIZING RIB BETWEEN	COLOUR STRIPE
91717-4001	91715-0011	NONE		OPEN	OPEN	NONE	NONE
91717-4002	91715-0011	b c d e f g h i k		OPEN	OPEN	NONE	NONE
91717-4003	91715-0011	NONE		OPEN	OPEN	NONE	GREEN

7 CIRCUIT							
PART NUMBER	HOUSING USED	REMOVED POSITION KEYS	CONFIGURATION	FIRST ENDWALL	LAST ENDWALL	POLARIZING RIB BETWEEN	COLOUR STRIPE
91717-5001	91715-0013	a c e g i k m		OPEN	OPEN	NONE	NONE

8 CIRCUIT							
PART NUMBER	HOUSING USED	REMOVED POSITION KEYS	CONFIGURATION	FIRST ENDWALL	LAST ENDWALL	POLARIZING RIB BETWEEN	COLOUR STRIPE
91717-6001	91715-0015	NONE		OPEN	OPEN	NONE	NONE

9 CIRCUIT							
PART NUMBER	HOUSING USED	REMOVED POSITION KEYS	CONFIGURATION	FIRST ENDWALL	LAST ENDWALL	POLARIZING RIB BETWEEN	COLOUR STRIPE
91717-7001	91715-0017	NONE		OPEN	OPEN	NONE	NONE

10 CIRCUIT							
PART NUMBER	HOUSING USED	REMOVED POSITION KEYS	CONFIGURATION	FIRST ENDWALL	LAST ENDWALL	POLARIZING RIB BETWEEN	COLOUR STRIPE
91717-8001	91715-0019	NONE		OPEN	OPEN	NONE	NONE

NOTES

- + DENOTES TERMINAL VOIDED POSITION
- ⊕ DENOTES TERMINAL LOADED POSITION
- | DENOTES POLARIZING RIB POSITION
- MOLEX HOUSING NO. FOR REFERENCE ONLY

THIS DRAWING CONTAINS INFORMATION THAT IS PROPRIETARY TO MOLEX ELECTRONIC TECHNOLOGIES, LLC AND SHOULD NOT BE USED WITHOUT WRITTEN PERMISSION											
NX - RELEASE EC NO: 105096 DRWN: CFISHER01 CHKD: CMONAHAN REV APPR: BRUTTLE	2016/05/06	2016/06/12	2016/07/01	GENERAL TOLERANCES (UNLESS SPECIFIED)	DIMENSION UNITS	SCALE	molex APPLI-MATE 2.5 FEMALE 5MM TERMINAL PITCH (MATL: NYLON PA6)				
				ANGULAR TOL ± 0.5 °	MM						
				4 PLACES ±	DRWN BY	DATE	PRODUCT CUSTOMER DRAWING				
				3 PLACES ± 0.05	CFISHER01	2016/05/06					
				2 PLACES ± 0.1	CHK'D BY	DATE	SERIES MATERIAL NUMBER CUSTOMER				
			1 PLACE ± 0.2	CMONAHAN	2016/06/12						
			0 PLACES ±	APPR BY	DATE	91717					
			DRAFT WHERE APPLICABLE MUST REMAIN WITHIN DIMENSIONS	BRUTTLE	2016/07/01						
				DRAWING SIZE	THIRD ANGLE PROJECTION	DOCUMENT NUMBER 917170001 DOC TYPE PSD DOC PART 000 SHEET NUMBER 4 OF 4					
				A2							