

4

3

2

1

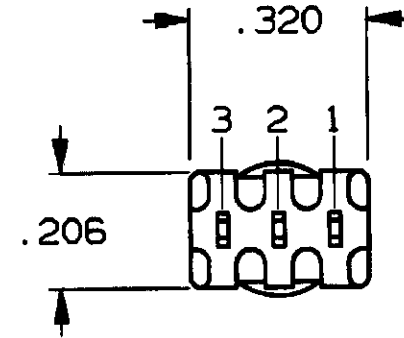
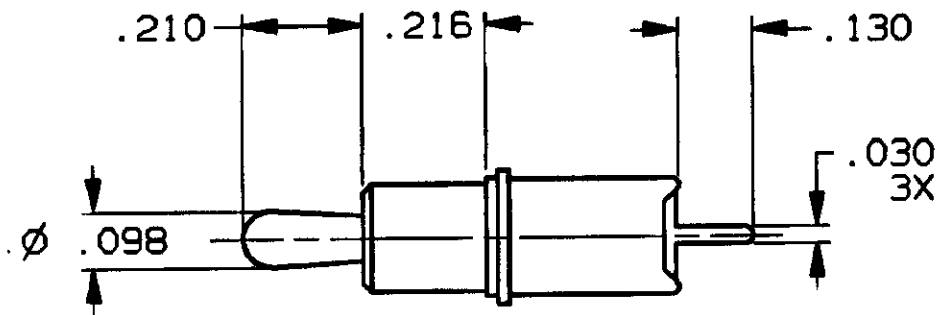
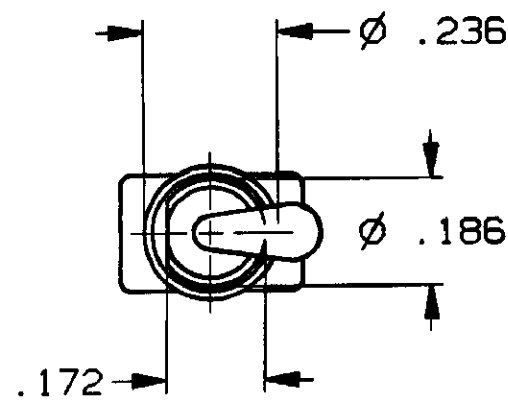
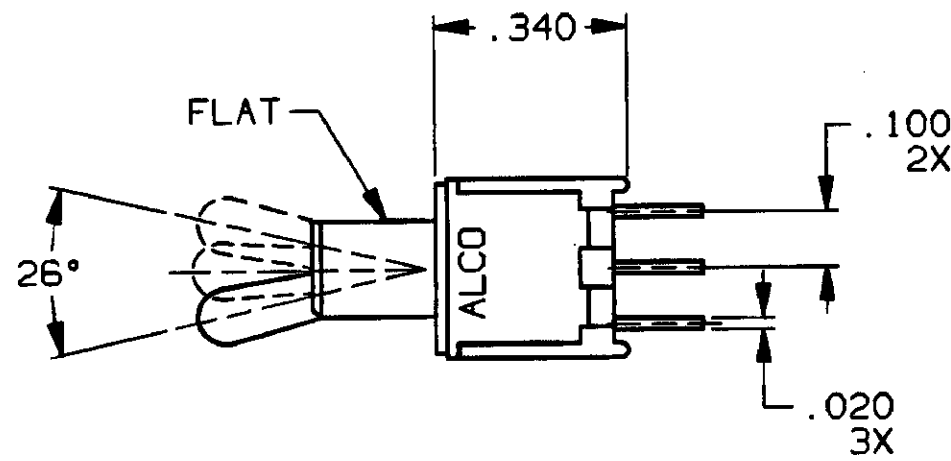
CONVERSION CHART	
INCH	MM
.002	0.05
.010	0.25
.020	0.51
.030	0.76
.043	1.09
.098	2.49
.100	2.54
.130	3.30
.172	4.37
.186	4.72
.206	5.23
.210	5.33
.216	5.49
.236	5.99
.320	8.13
.340	8.64

**SPECIFICATIONS:**

**MATERIALS:**  
CASE: HIGH TEMPERATURE POLYESTER  
FRAME: STEEL, TIN PLATED.  
ACTUATOR: COPPER ALLOY, NICKEL PLATED.  
MOVABLE CONTACT: COPPER ALLOY, GOLD OVER NICKEL PLATE.  
STATIONARY CONTACT: COPPER ALLOY, GOLD OVER NICKEL PLATE.  
TERMINALS: COPPER ALLOY, TIN LEAD PLATED.  
TERMINAL SEAL: EPOXY

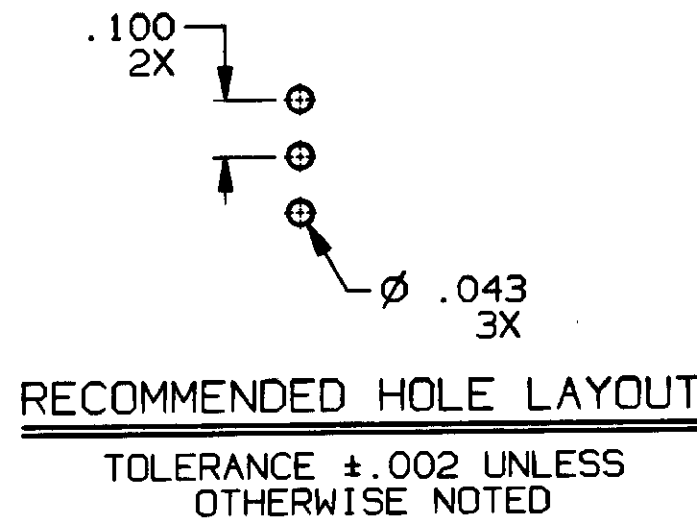
**ELECTRICAL:**  
CONTACT RATING: 0.4 VA @ 20 VDC OR PEAK AC  
INITIAL CONTACT RESISTANCE: 20 MILLIOHMS MAX.  
INSULATION RESISTANCE: 1,000 MEGOHMS AT 500 VDC MIN.  
DIELECTRIC STRENGTH: 1,000 VOLTS RMS AT SEA LEVEL  
LIFE EXPECTANCY: 80,000 CYCLES (2 POSITION)  
60,000 CYCLES (3 POSITION).

**ENVIRONMENTAL:**  
OPERATING TEMPERATURE: -22°F TO +185°F (-30°C TO +85°C)  
STORAGE TEMPERATURE: -67°F TO +185°F (-55°C TO +85°C)



**NOTES:**

1. INTERPRET DRAWING PER ASME Y14.5M-1994.
2. CENTER TERMINAL NOT FURNISHED WITH "A" TYPE SWITCHES.



TERMINALS CONNECTED WHEN TOGGLE IN POSITIONS SHOWN.			
SWITCH ACTION CODE (*)			
A	OFF	NONE	3 TO 1
D	2 TO 3	NONE	2 TO 1
E	2 TO 3	OFF	2 TO 1
F	2 TO 3(MOM)	NONE	2 TO 1

**NOTE:**  
DESIGNATION NUMBERS ARE FOR REFERENCE ONLY AND DO NOT APPEAR ON THE SWITCHES.

AUGAT D/N 40004-SD

CUSTOMER DRAWING			
SPECIFICATIONS ARE SUBJECT TO CHANGES WITHOUT NOTICE			
 THIRD ANGLE PROJECTION TOLERANCES (EXCEPT AS NOTED) ANGULAR = ±1° DECIMAL .XX = ±.010 DECIMAL .XXX = ±.010 DECIMAL .XXXX = ±.010	UNLESS OTHERWISE SPECIFIED DIMENSIONS ARE IN INCHES DO NOT SCALE PRINT	ORIGINAL DATE OF DRAWING: 12-13-79	 <b>tyco</b> Electronics
	MATERIAL: SEE SPECIFICATIONS	DRAWN: RM CHECKED: BB APPROVED: KJ	
FINISH: SEE SPECIFICATIONS	CODE IDENT. NO. 91506 NEXT ASSY:	DWG. SIZE C	<b>TITLE:</b> CUSTOMER DRAWING SUBMINIATURE TOGGLE SWITCH SINGLE POLE - PC (TT11(*)G-PC-1) <b>DWG. NO.</b> 2-1437561-3 <b>REV.</b> B <b>PRODUCT CODE:</b> A51 <b>SCALE:</b> SHEET 1 OF 1

REV	B
REVISIONS	OG3C-0194-05 MZ 28MAR07

A

A

B

B

C

C

D

D