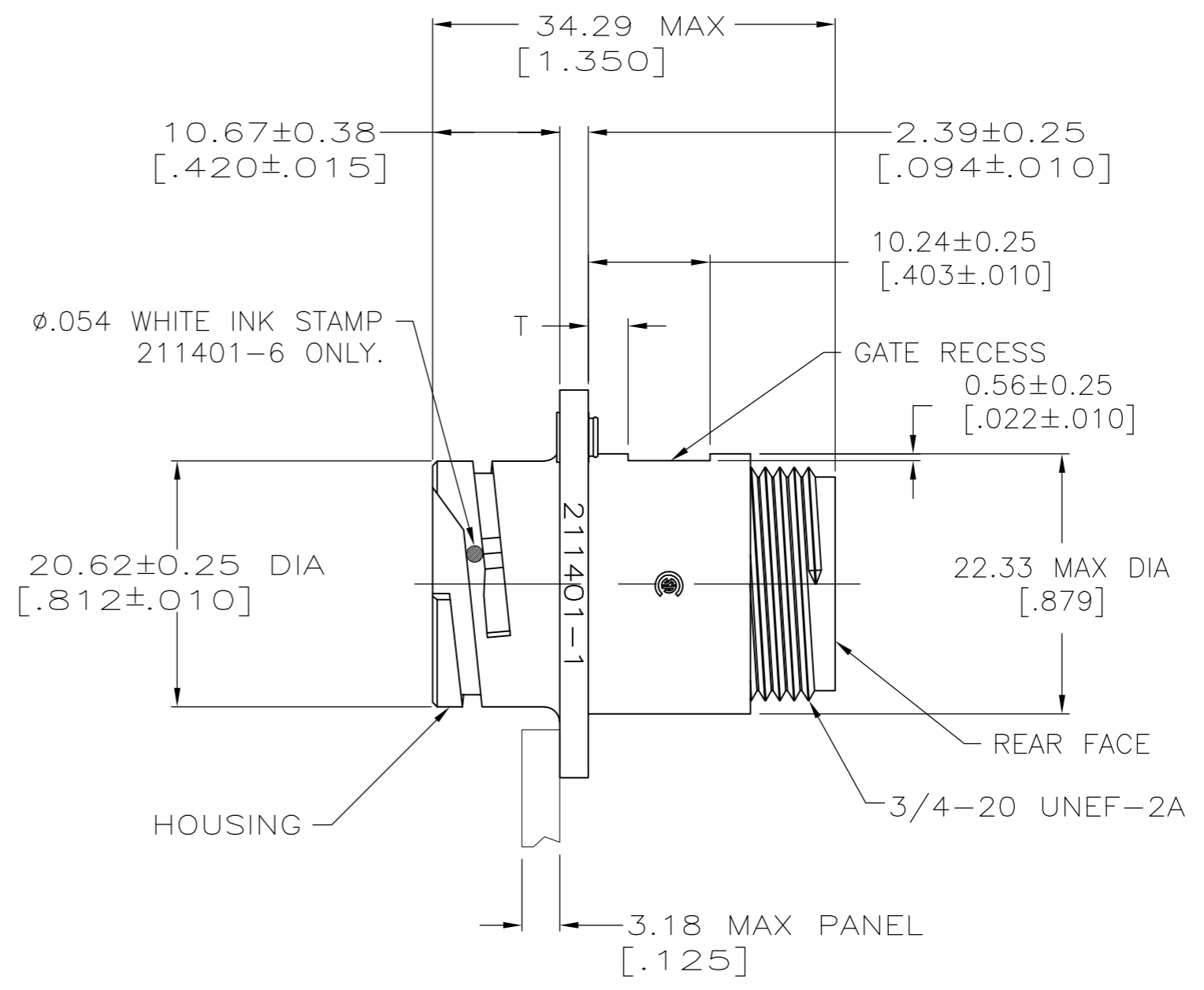
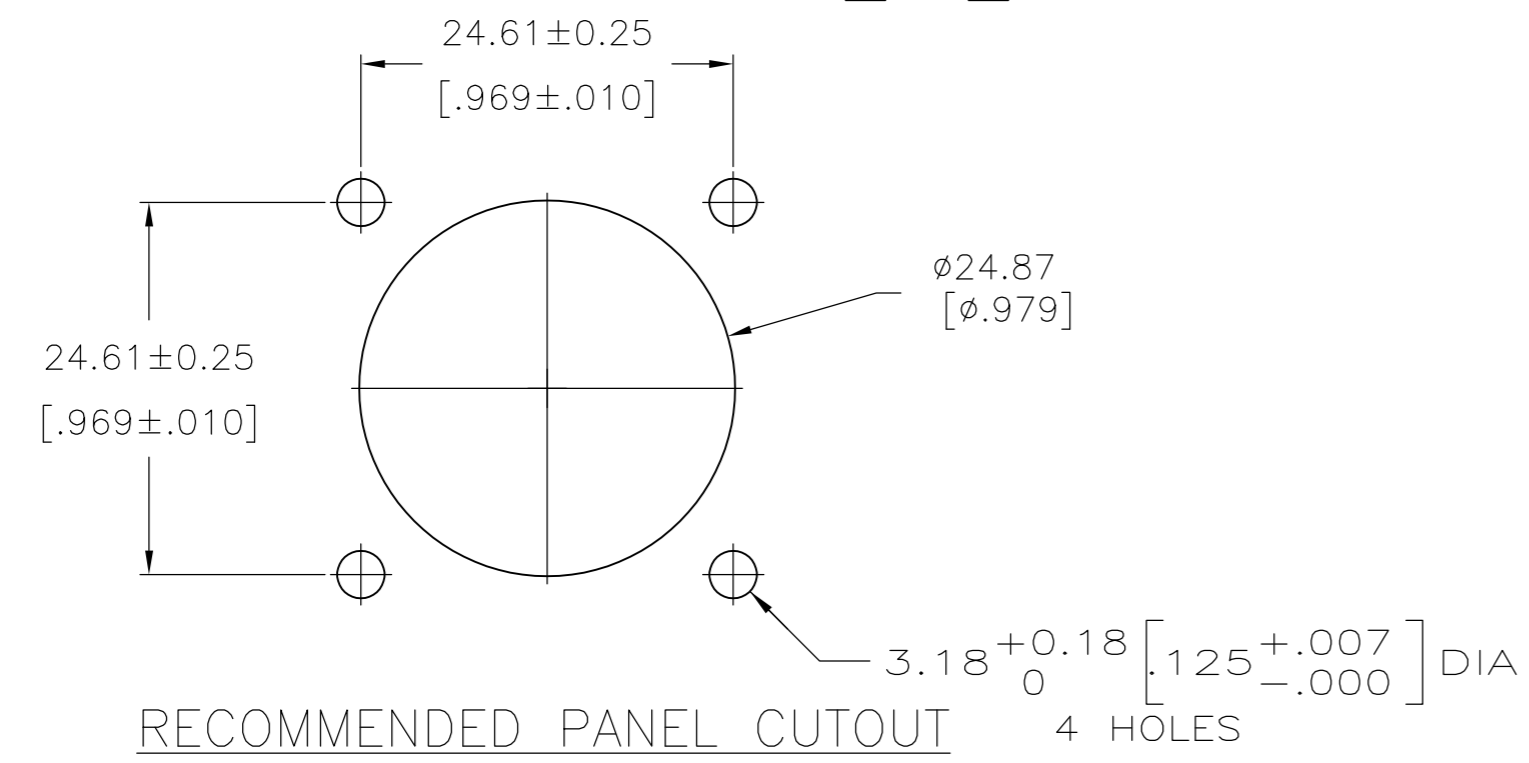
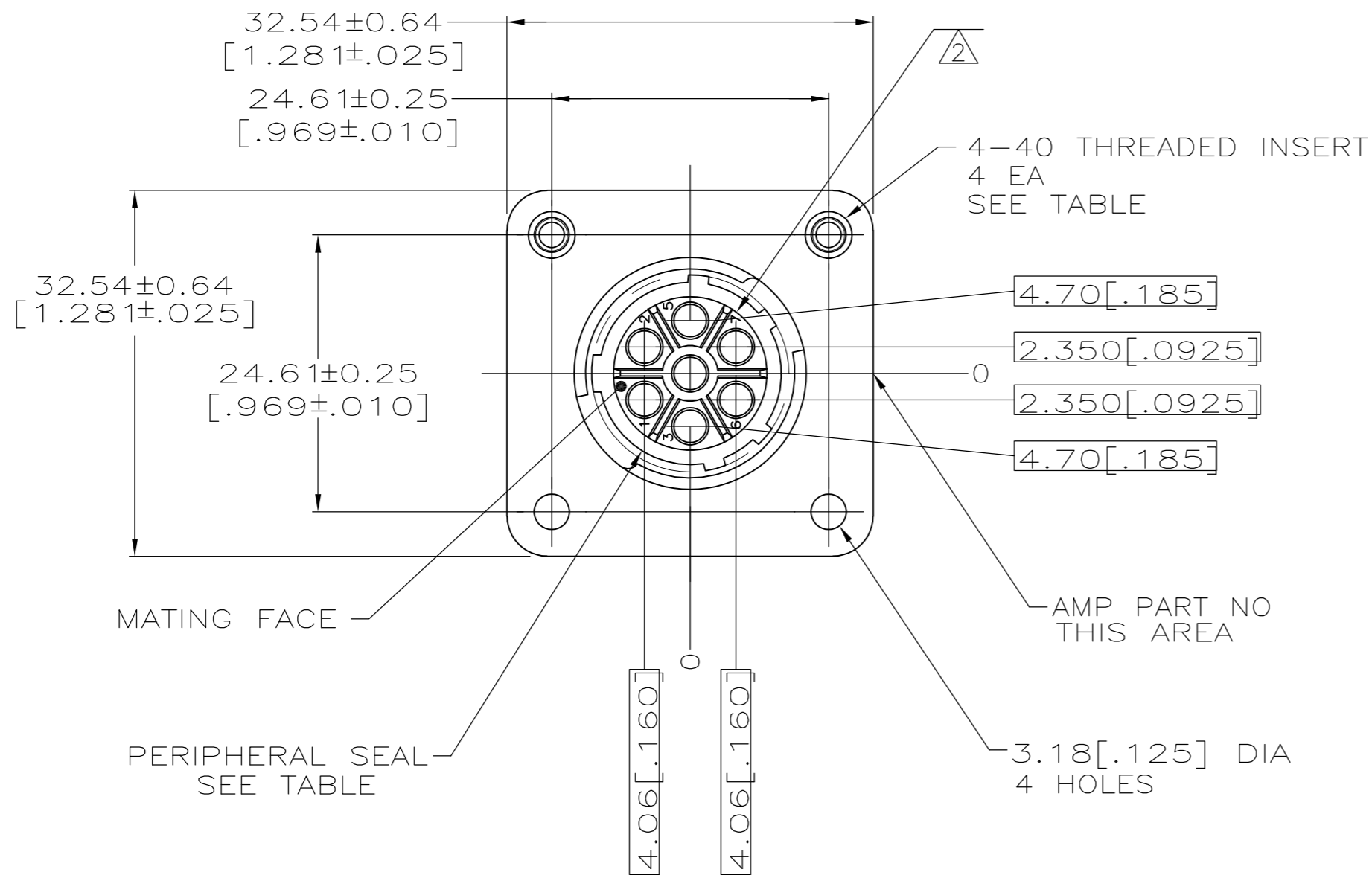


THIS DRAWING IS UNPUBLISHED. RELEASED FOR PUBLICATION
 © COPYRIGHT - By - ALL RIGHTS RESERVED.

LOC	DIST	REVISIONS			
P	LTR	DESCRIPTION	DATE	DWN	APVD
FT	0	H1 REVISED PER ECO-11-004587	11MAR11	RK	HMR



3.35±0.25 [.132±.010]	NO	NO	3.81 [.150]	211401-8
1.83±0.25 [.072±.010]	NO	NO	3.81 [.150]	211401-6
1.83±0.25 [.072±.010]	YES	NO	2.54 [.100]	211401-5
1.83±0.25 [.072±.010]	YES	NO	3.81 [.150]	211401-4
1.83±0.25 [.072±.010]	NO	YES	3.81 [.150]	211401-3
1.83±0.25 [.072±.010]	NO	NO	2.54 [.100]	211401-2
1.83±0.25 [.072±.010]	NO	NO	3.81 [.150]	211401-1
T	4-40 THREADED INSERTS	PERIPHERAL SEAL	MAX WIRE INSULATION DIA	PART NUMBER

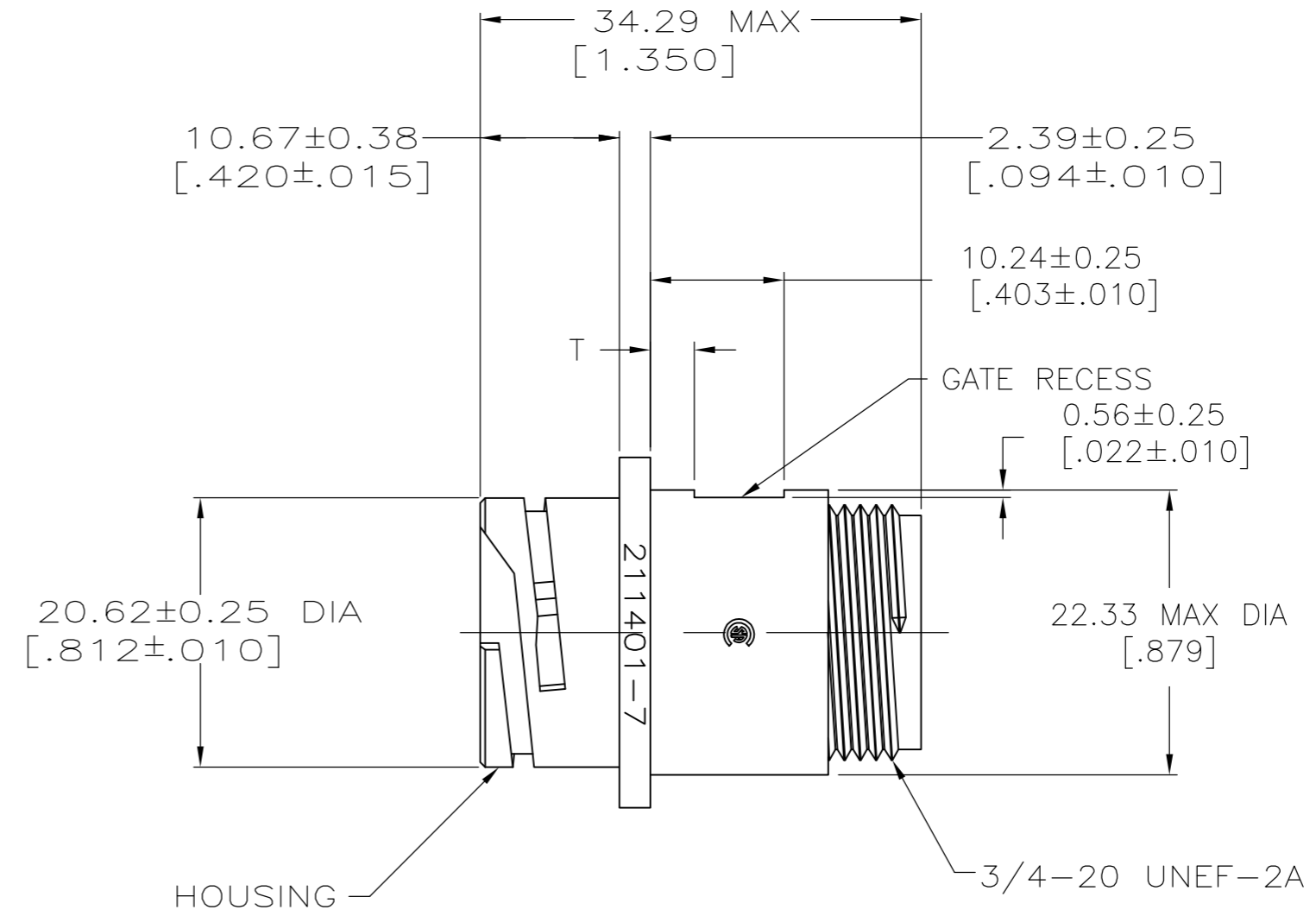
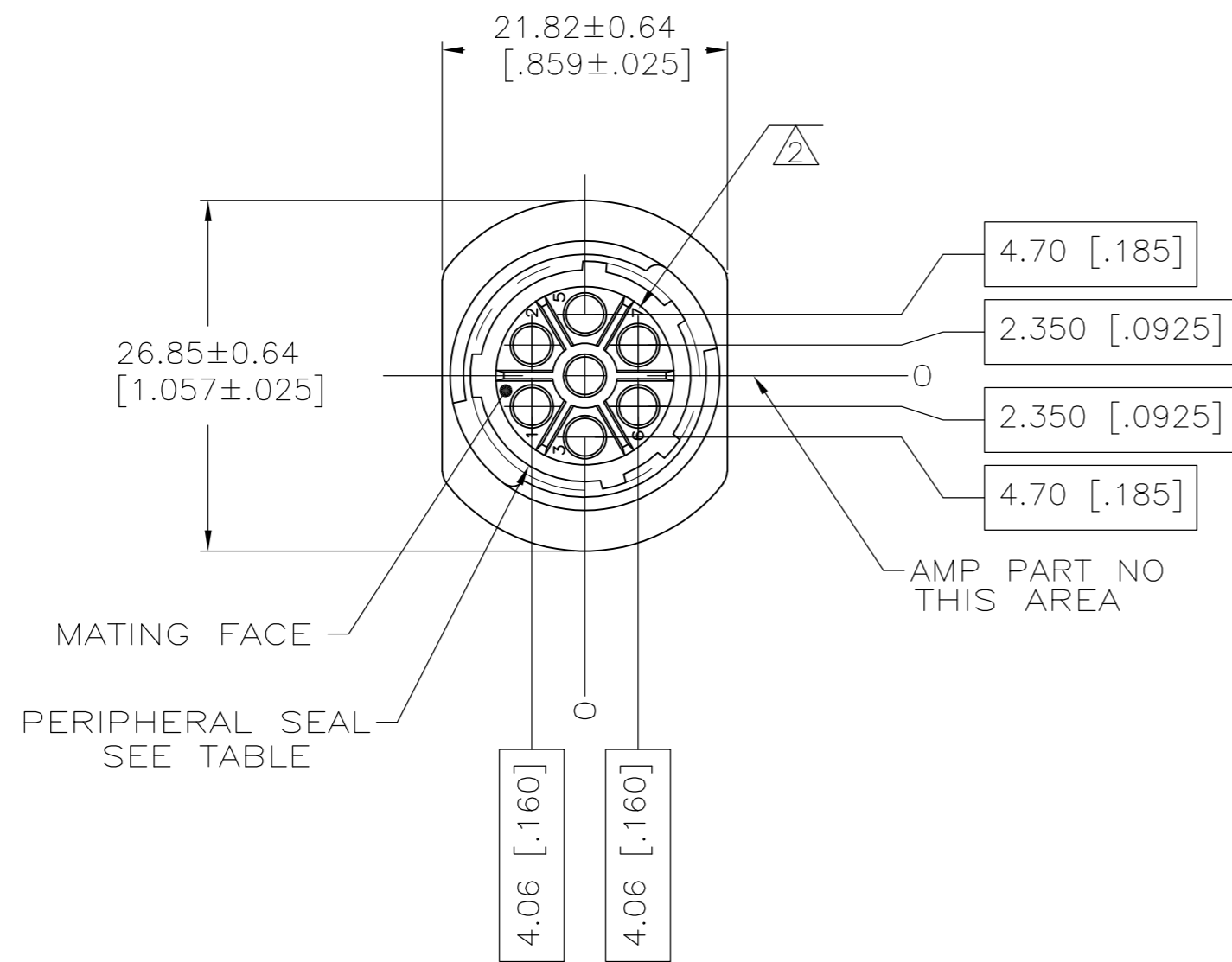
- ① HOUSING: THERMOPLASTIC, BLACK.
 PERIPHERAL SEAL: ELASTOMER, GRAY.
 THREADED INSERTS: BRASS.
- ② CAVITY IDENTIFICATION ON FRONT AND REAR FACE.
- 3. WILL ACCEPT SEVEN (7) MULTIMATE PIN CONTACTS.
- 4. .0050MAX FLASH PERMITTED IN THE AREA OF DIMENSION T, .020 MAX FLASH PERMITTED ON MATING FACE SIDE AND .025 MAX FLASH PERMITTED ON REAR FACE SIDE.
- ⑤ PRELIMINARY PART NUMBER.

THIS DRAWING IS A CONTROLLED DOCUMENT.

DIMENSIONS: mm [INCHES]	TOLERANCES UNLESS OTHERWISE SPECIFIED:	DWN D.HARDY 08-01-94	CHK R.STONE 08-10-94		
0 PLC ± -	1 PLC ± -	APVD -	PRODUCT SPEC -	NAME	
2 PLC ± 0.13 [.005]	3 PLC ± -	APPLICATION SPEC -	WEIGHT -	SIZE A2	CAGE CODE 00779
4 PLC ± -	ANGLES ± -	FINISH -	CUSTOMER DRAWING	DRAWING NO C=211401	RESTRICTED TO -
SCALE 2:1			SHEET 1 of 2		REV H1

THIS DRAWING IS UNPUBLISHED. RELEASED FOR PUBLICATION
 © COPYRIGHT - By - ALL RIGHTS RESERVED.

LOC		DIST		REVISIONS			
P	LTR	DESCRIPTION	DATE	DWN	APVD		
-	-	SEE SHEET 1	-	-	-		



① HOUSING: THERMOPLASTIC, BLACK.
 PERIPHERAL SEAL: ELASTOMER, GRAY.
 THREADED INSERTS: BRASS.

② CAVITY IDENTIFICATION ON FRONT AND REAR FACE.

3. WILL ACCEPT SEVEN (7) MULTIMATE PIN CONTACTS.

4. .005 MAX FLASH PERMITTED IN THE AREA OF DIMENSION T, .020 MAX FLASH PERMITTED ON MATING FACE SIDE AND .025 MAX FLASH PERMITTED ON REAR FACE SIDE.

1.83±0.25 [.072±.010]	NO	2.54 [.100]	211401-7
T	PERIPHERAL SEAL	MAX WIRE INSULATION DIA	PART NUMBER

THIS DRAWING IS A CONTROLLED DOCUMENT.		DWN	D.HARDY	08-01-94	 TE Connectivity
DIMENSIONS: mm [INCHES]		CHK	R.STONE	08-10-94	
TOLERANCES UNLESS OTHERWISE SPECIFIED:		APVD	-	-	
0 PLC ± - 1 PLC ± - 2 PLC ± 0.13 [.005] 3 PLC ± - 4 PLC ± - ANGLES ± -		PRODUCT SPEC	-	-	
MATERIAL	-	FINISH	-	WEIGHT	-
CUSTOMER DRAWING		SCALE	2:1	SHEET	2 OF 2
		SIZE	A2	CAGE CODE	00779
		DRAWING NO	C=211401		RESTRICTED TO
		REV	H1		