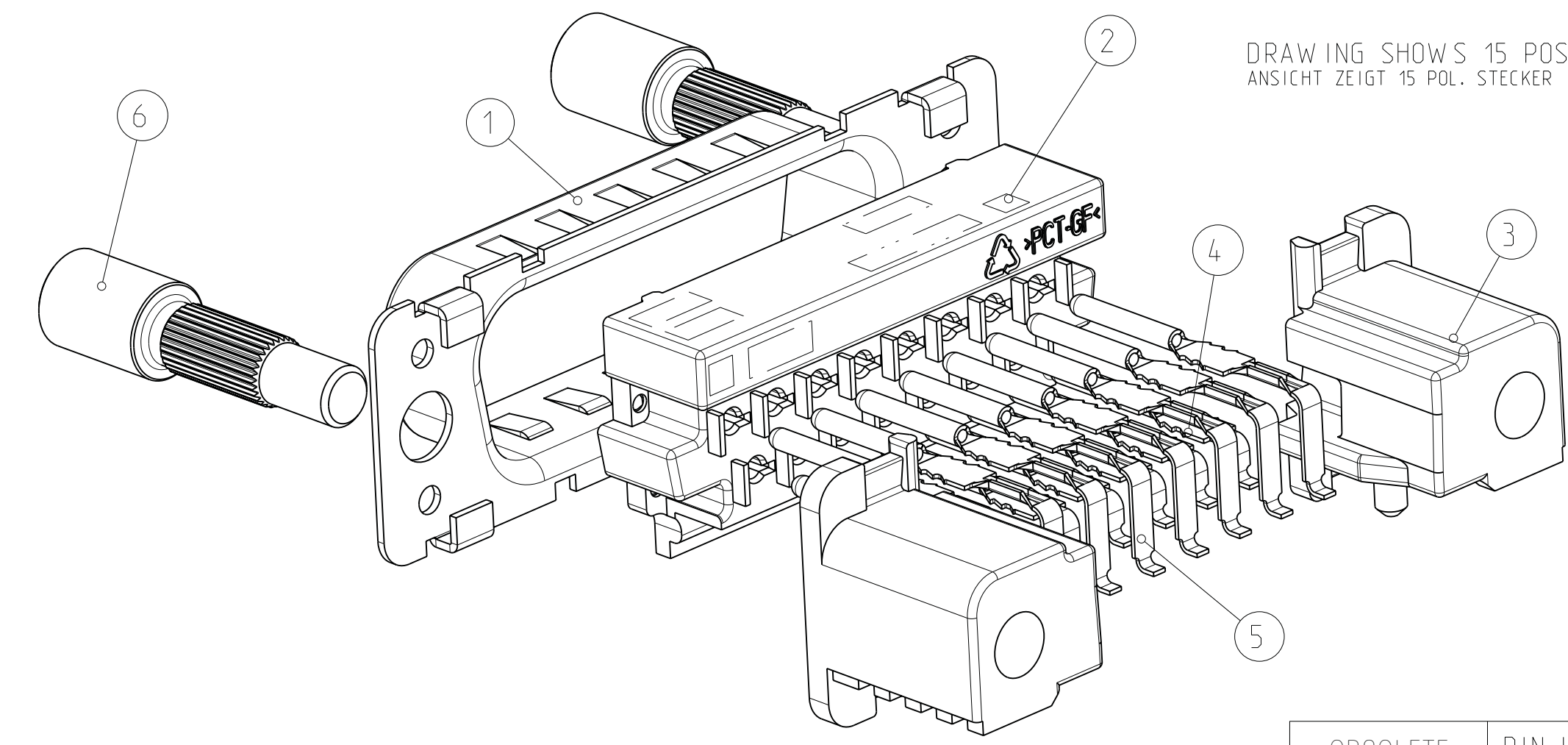
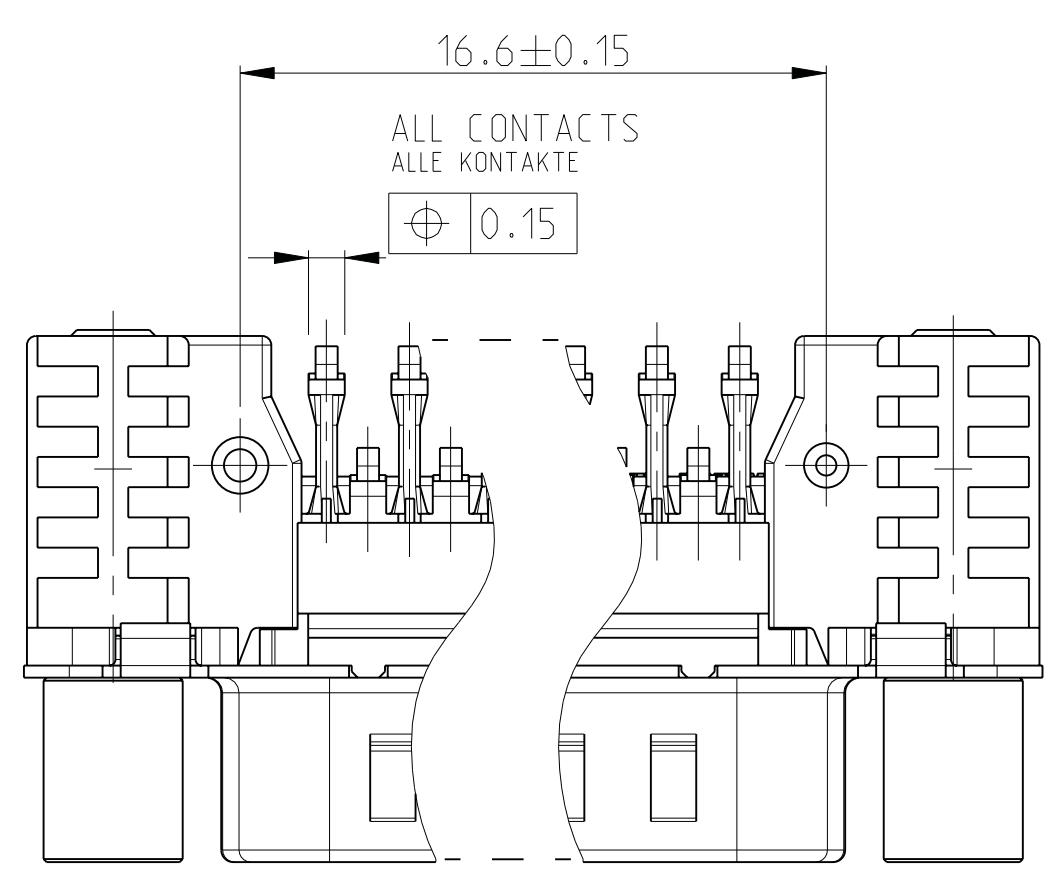
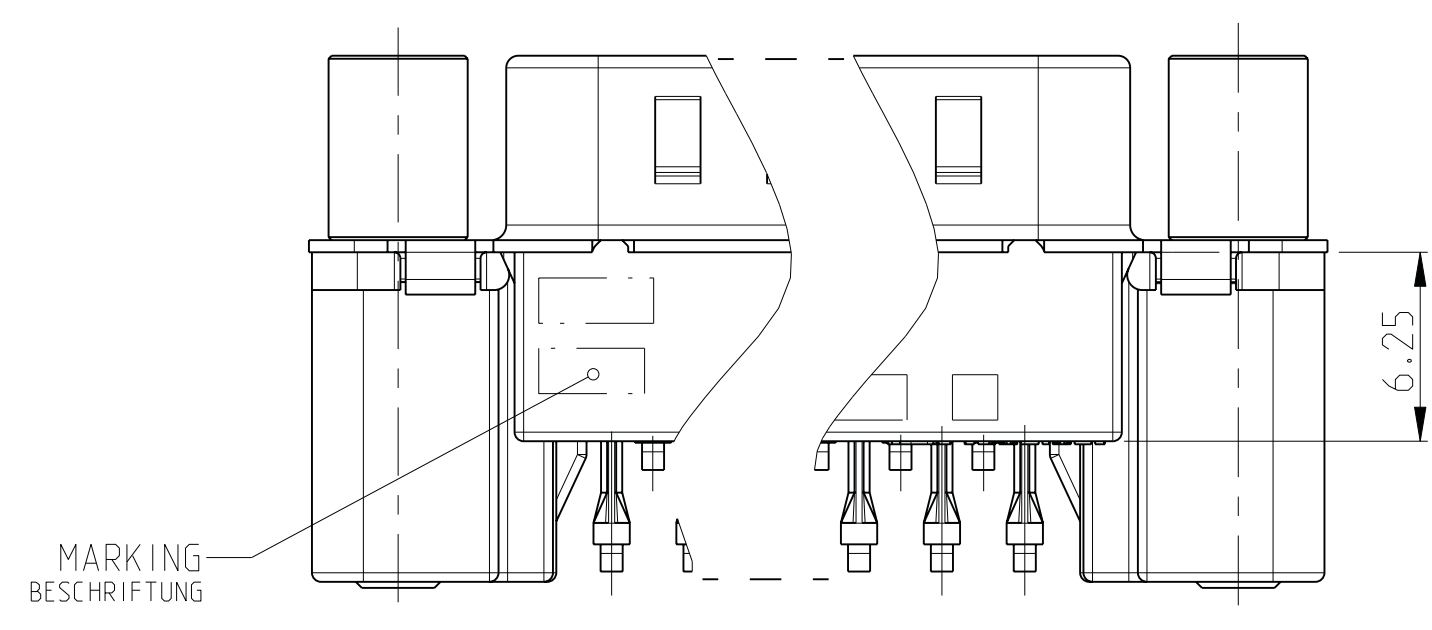
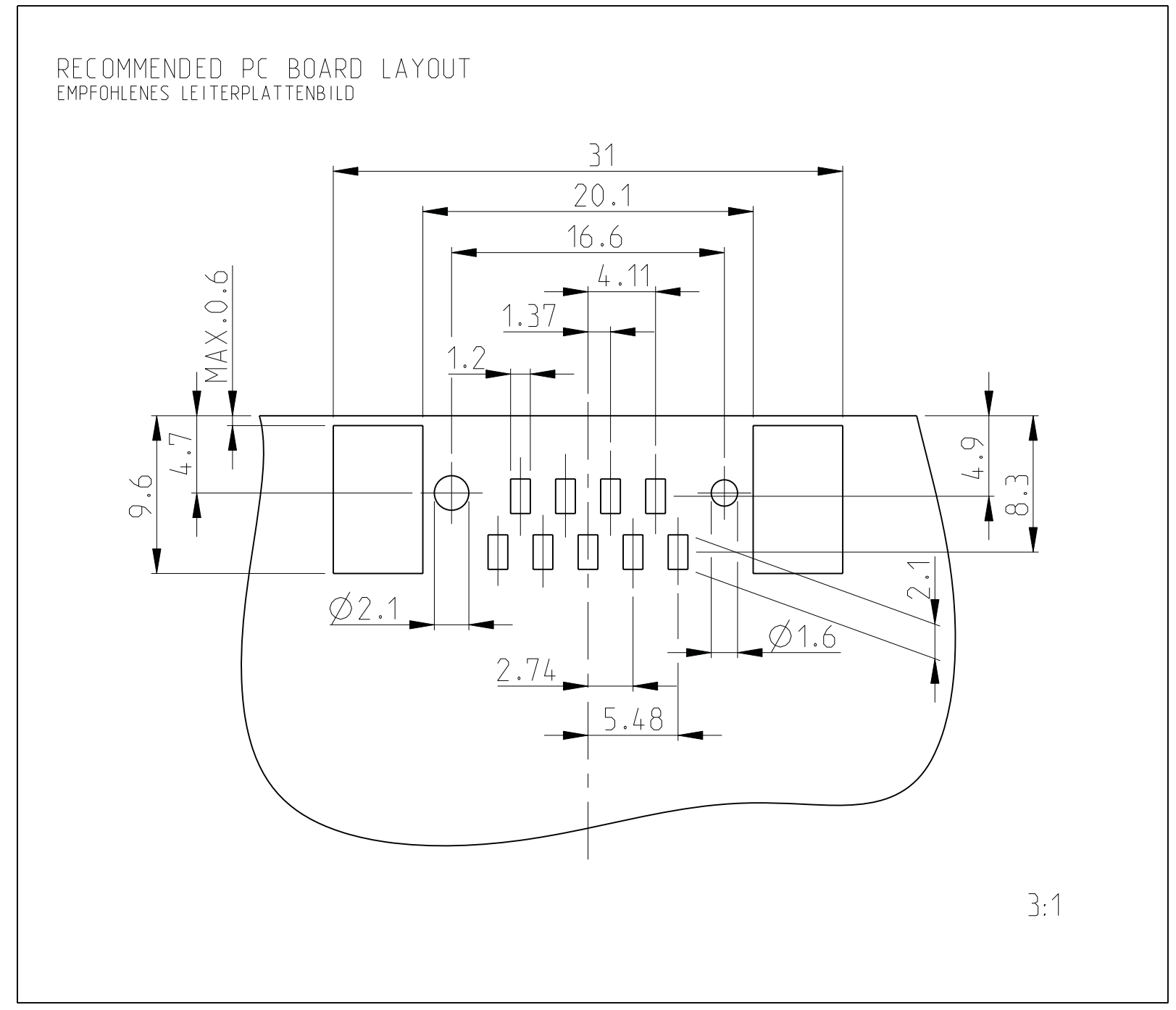
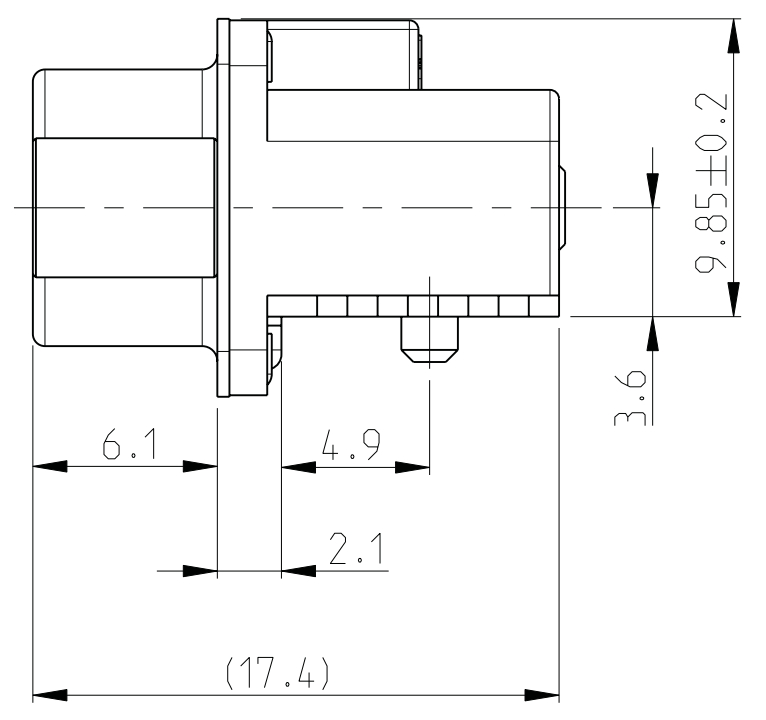
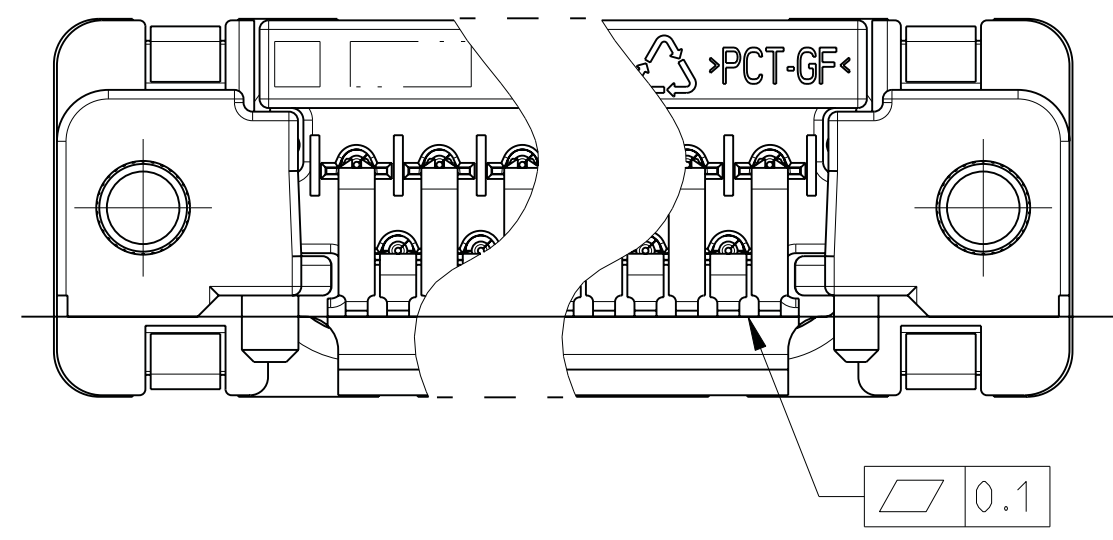


LOC	DIST	REVISIONS					
		P	LTR	DESCRIPTION	DATE	DWN	APVD
A1	-	D1		REVISED PER ECO-11-005294	2/MAR/2011	RK	HMR
		E		REVISED PER ECO-12-000073	2/FEB/2012	CJV	SLB

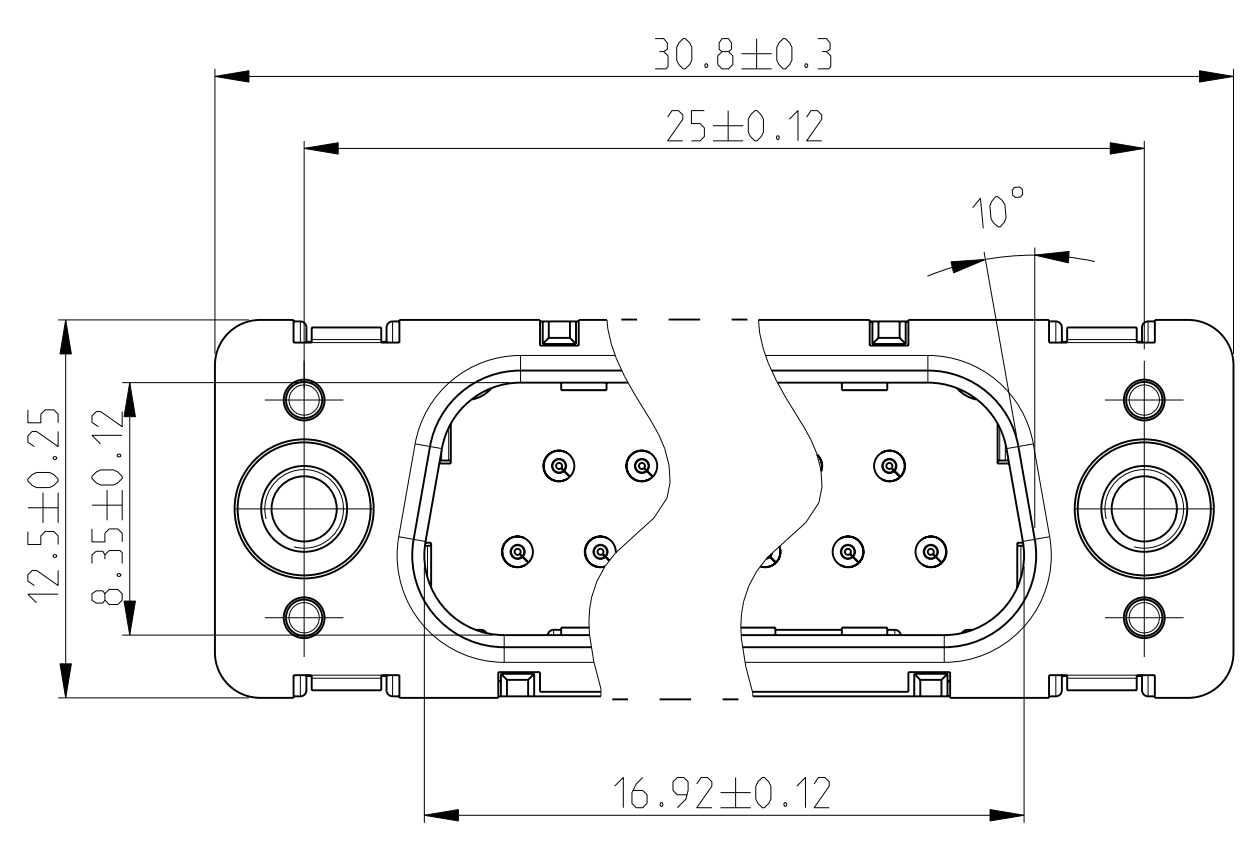


OBSOLETE	PIN HEADER, 9 POS., STUD WITH THREAD M3	4-1740195-2	4-1740195-5
OBSOLETE	PIN HEADER, 9 POS., BRACKET WITH THREAD M3	2-1740195-2	2-1740195-5
	PIN HEADER, 9 POS., STUD WITH THREAD UNC 4/40	3-1740195-2	3-1740195-5
	PIN HEADER, 9 POS., BRACKET WITH THREAD UNC 4-40	1-1740195-2	1-1740195-5
	PIN HEADER, 9 POS., BRACKET WITH HOLE Ø3.1	0-1740195-2	0-1740195-5
	DESCRIPTION	SHELL PLATING: TIN OVER Ni	SHELL PLATING: Ni



- REMARKS:
- △ CONTACT AREA: MIN. 0.8 µm Au OVER 1.27 µm Ni, SOLDER AREA: 3-5 µm Sn OVER MIN. 1.27 µm Ni
 - 2 PACKAGING SEE SHEET 2
 - 3 CONNECTOR SUITABLE TO LEAD-FREE SMT SOLDER PROCESS
 - △ TIN OVER NICKEL

- BEMERKUNGEN:
- △ KONTAKTBEREICH: MIN. 0.8 µm Au UEBER 1.27 µm Ni, LOETBEREICH: 3-5 µm Sn UEBER MIN. 1.27 µm Ni
 - 2 VERPACKUNGSART SIEHE BLATT 2
 - 3 STECKER GEEIGNET FUER BLEIFREIES LOETEN
 - △ ZINN UEBER NICKEL



POS.	QTY.	DESCRIPTION BENENNUNG	SURFACE OBERFLAECHE COLOUR/FARBE	MATERIAL
6	2	THREAD STUD GEWINDEBOLZEN	NICKEL NICKEL	STEEL STAHL
5	5	PIN CONTACT, SMD, LONG STIFTKONTAKT, SMD, LANG	△	CuMg
4	4	PIN CONTACT, SMD, SHORT STIFTKONTAKT, SMD, KURZ	△	CuMg
3	2	BRACKET, SMD, LEFT/RIGHT WINKELSTUECK, SMD, LINKS/RECHTS	△	CAST METAL DRUCKGUSS
2	1	PIN HOUSING STIFTGEHAUESE	BLACK SCHWARZ	PCT-GF
1	1	SHELL SCHIRMBLECH	SEE TABLE SIEHE TABELLE	STEEL STAHL

THIS DRAWING IS A CONTROLLED DOCUMENT. THIS IS CHANGING DOCUMENT AND SHOULD BE KEPT UNDER CONTROL. ANY CHANGES TO THIS DOCUMENT SHOULD BE APPROVED BY THE ORIGINAL AUTHOR AND THE APPROVING AUTHORITY.

DATE: 30 NOV 2004
 CHK: M. SCHAAERSCHMIDT
 DWN: G. FELDMEIER

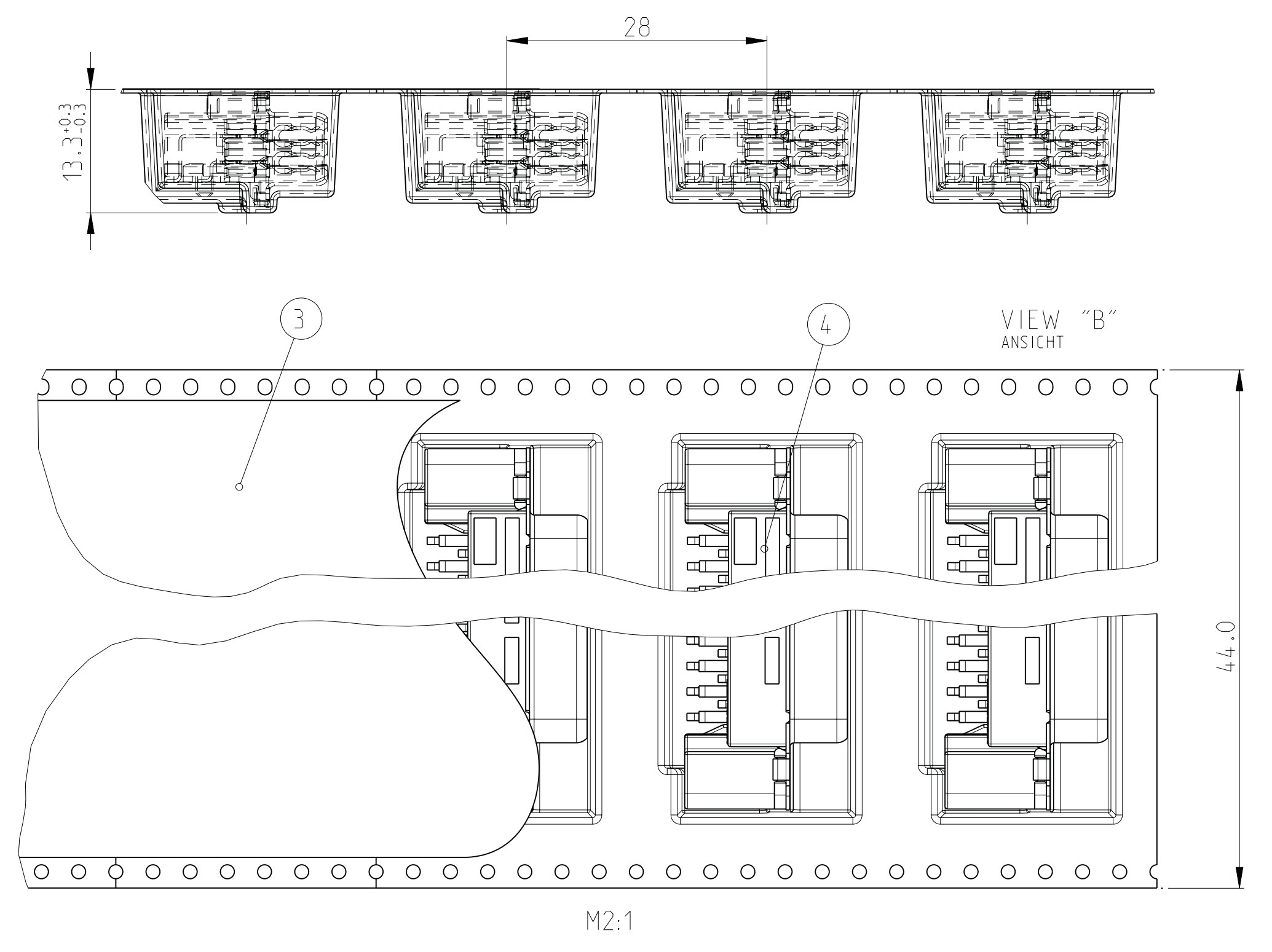
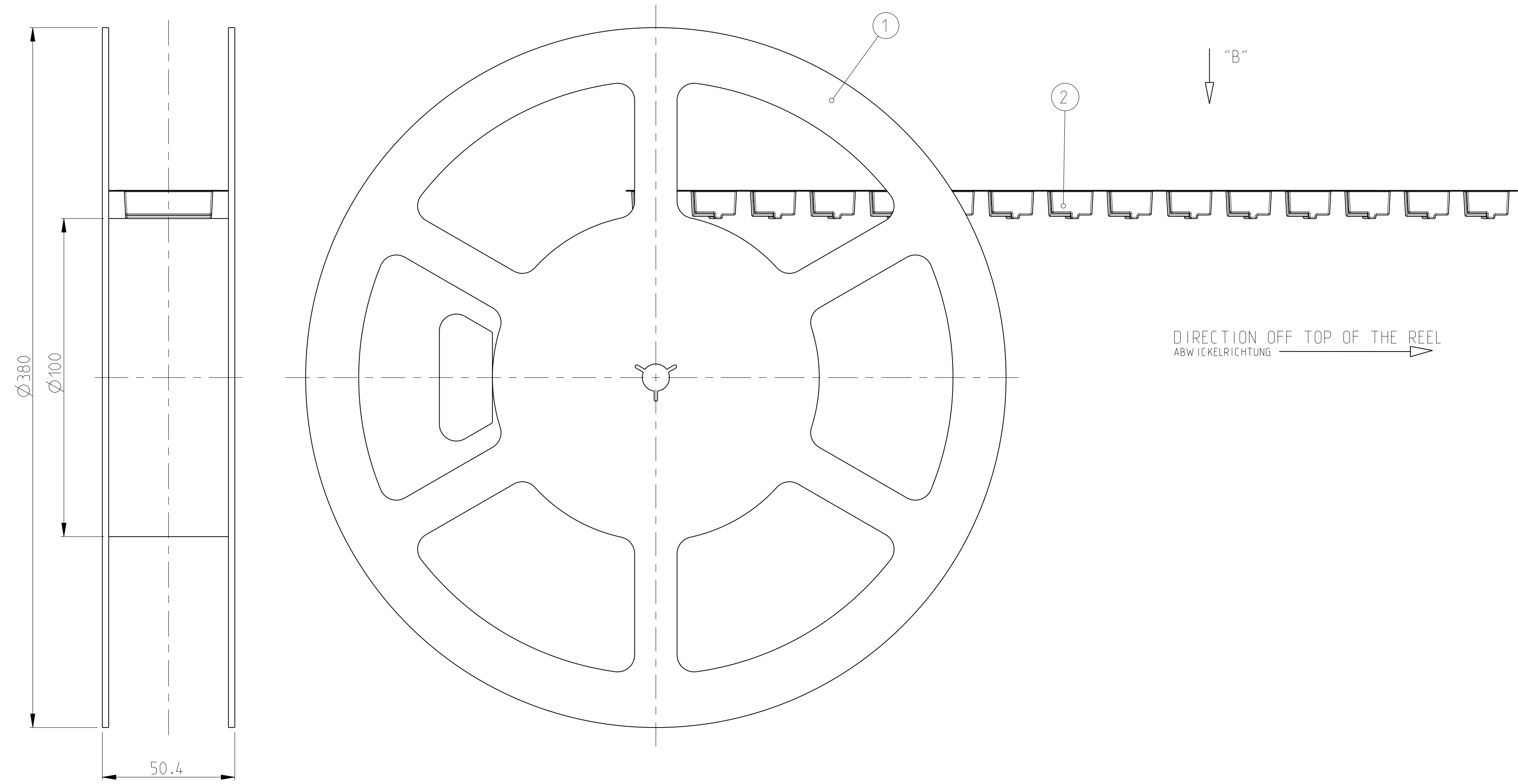
PRODUCT SPEC: 108-94000
 APPLICATION SPEC: VERARBEITUNGSPEZ.

SIZE: A1
 CAGE CODE: 00779
 DRAWING NO: 1740195

RESTRICTED TO: NUR FUER: -

CUSTOMER DRAWING /KUNDENZEICHNUNG SCALE: 5:1 SHEET: 1 OF: 2 REV: E

LOC	DIST	REVISIONS					
		P	LTR	DESCRIPTION	DATE	OWN	APVD
A1	-	-	-	SEE SHEET 1	-	-	-



REMARKS:

- COVER TAPE WITH BLISTER BELT WELDED OR PASTED
- BLISTER BELT, COVER AND TAPE ACC. TO DIN/IEC 286 PART 3
- FIRST AND LAST RUNNING OF THE CARRIER TAPE ACC. TO DIN/IEC 286 PART 3
- 7m BLISTERBELT AND 7.1m COVER TAPE, 225 LOOSE PIECE PARTS

BEMERKUNGEN:

- ABDECKBAND MIT BLISTERGURT VERSCHWEISST ODER VERKLEBT
- BLISTERGURT, ABDECKBAND UND REEL NACH DIN/IEC 286 TEIL 3
- VOR- UND NACHLAUF AM BLISTERGURT NACH DIN/IEC 286 TEIL 3
- 7m BLISTERGURT UND 7.1m ABDECKBAND, 225 EINZELTEILE

4-1740195-5	3-1740195-5	2-1740195-5	1-1740195-5	0-1740195-5	OBSOLETE
4-1740195-2	3-1740195-2	2-1740195-2	1-1740195-2	0-1740195-2	OBSOLETE

ORDER NO. BESTELL-NR.	POS.						DESCRIPTION BENENNUNG	SURFACE OBERFLAECHE COLOUR/FARBE	MATERIAL
1740195	4	225	-	-	-	-	SUB-D PIN HEADER, 9 POS., STUD M3 SUB-D STIFTSTECKER, 9 POL., BOLZEN M3	-	-
	4	-	225	-	-	-	SUB-D PIN HEADER, 9 POS., STUD UNC4-40 SUB-D STIFTSTECKER, 9 POL., BOLZEN UNC4-40	-	-
	4	-	-	225	-	-	SUB-D PIN HEADER, 9 POS., M3 SUB-D STIFTSTECKER, 9 POL., M3	-	-
	4	-	-	-	225	-	SUB-D PIN HEADER, 9 POS., UNC4-40 SUB-D STIFTSTECKER, 9POL., UNC4-40	-	-
	4	-	-	-	-	225	SUB-D PIN HEADER, 9 POS. SUB-D STIFTSTECKER, 9POL.	-	-
	3	7.1m	7.1m	7.1m	7.1m	7.1m	COVER BELT FOR BLISTER BELT ABDECKBAND FUER BLISTERGURT	TRANSPARENT	PET
2	7m	7m	7m	7m	7m	BLISTER BELT BLISTERGURT	GREY/BLACK GRAU/SCHWARZ	PS	
1	1	1	1	1	1	REEL SPULE	GREY GRAU	PS	

THIS DRAWING IS A CONTROLLED DOCUMENT. DWG: L.SCHLUETER, 30NOV2004
 CHK: M.SCHAARSCHMIDT, 01DEC2004
 E. FELDMEIER

TE Connectivity
STE
 HDP20 PIN HEADER, SMT, 9POS.
 HDP20 STIFBLEISTE, SMT, 9POL.
 EUROSTYLE

APPROVALS: PRODUCT SPEC, APPLICATION SPEC, MATERIAL, FINISH, WEIGHT, CUSTOMER DRAWING

SIZE: A1 CAGE CODE: 00779 DRAWING NO: 1740195 SCALE: 5:1 SHEET: 2 OF 2 REV: E