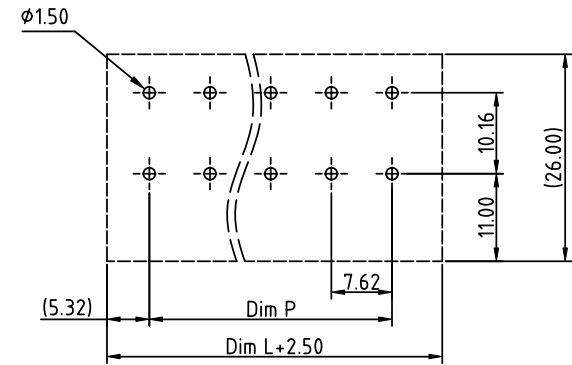
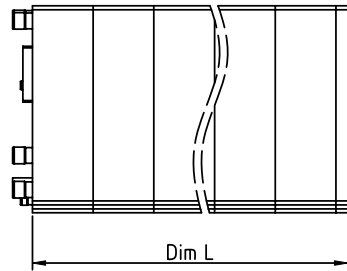


PRODUCT NUMBER	PITCH
KHxx15x100J0G	7.62 mm



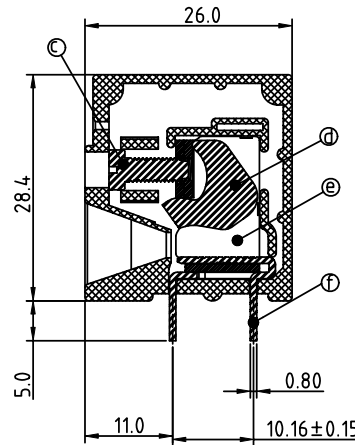
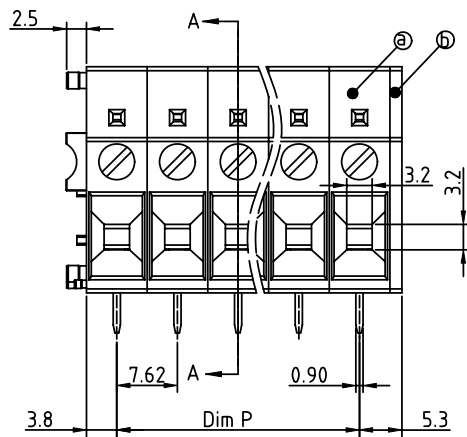
RECOMMENDED P.C.B LAYOUT
TOP VIEW

Material

- Item (a) Terminal body: Thermoplastic (UL94V-0)
- Item (b) Terminal cover: Thermoplastic (UL94V-0)
- Item (c) Terminal screw: Steel Zinc plating "-" slot type
- Item (d) Firm wire chunk: Steel Zinc plated
- Item (e) Terminal body (metal housing): Zinc plating
- Item (f) Solder pin: Copper, Tin plated

Electrical cULus

- Voltage rating: 300VAC
- Current rating: 30A
- Wire range:
- Solid wire (AWG): 10-24
- Stranded wire (AWG): 10-24
- Torque (Lb-In): 4.3
- Screw: M3
- Wire strip length: 15-16mm
- Withstanding Voltage: 1.6KV
- Operating temperature: -40°C to +115°C
- Soldering temperature: 260°C ± 5°C / 5 Sec
- Safety Approval:



SECTION A-A

N = Number of poles
Dim L = N x 7.62 + 1.5
Dim P = (N - 1) x 7.62

poles	Dim L	Dim P
1p	±0.10	±0.10
2-4p	±0.25	±0.20
5-7p	±0.30	±0.25
8-11p	±0.35	±0.30
12-16p	±0.40	±0.35

PART NO.: KH xx 15 x 1 00J0 G

End stackable	Body Color	RoHS compliant
No. of poles	0 Black (RAL9005)	(lead < 4%)
01 1 pole	2 Red (RAL3001/D)	In copper Alloy
02 2 poles	3 Orange (RAL2011/P)	
...	4 Yellow (RAL1018/A)	
16 16 poles	5 Green (RAL6018/T)	
	6 Blue (RAL5015/A)	
	8 Grey (RAL7035/D)	
	9 White (RAL1102)	
	C Green (RAL6018/U)	

mat'l. code	surface ASME Y14.5 ✓	tolerance ASME Y14.5	projection 	product family TERMINAL BLOCK
ltr	ecn no	dr	date	title
				TERMINAL BLOCK
				WIRE PROTECTOR, 180D WIRE INLET
				scale
				FCI
	dr	EVIN ZHONG	040114	dwg no
	enrg	EVIN ZHONG	040114	sheet 1 of 1
	chr	HANKE FENG	040114	size
	appd	SHI JUN	040114	A4
sheet index	revision	A		type
	sheet	1		CUSTOMER Drawing