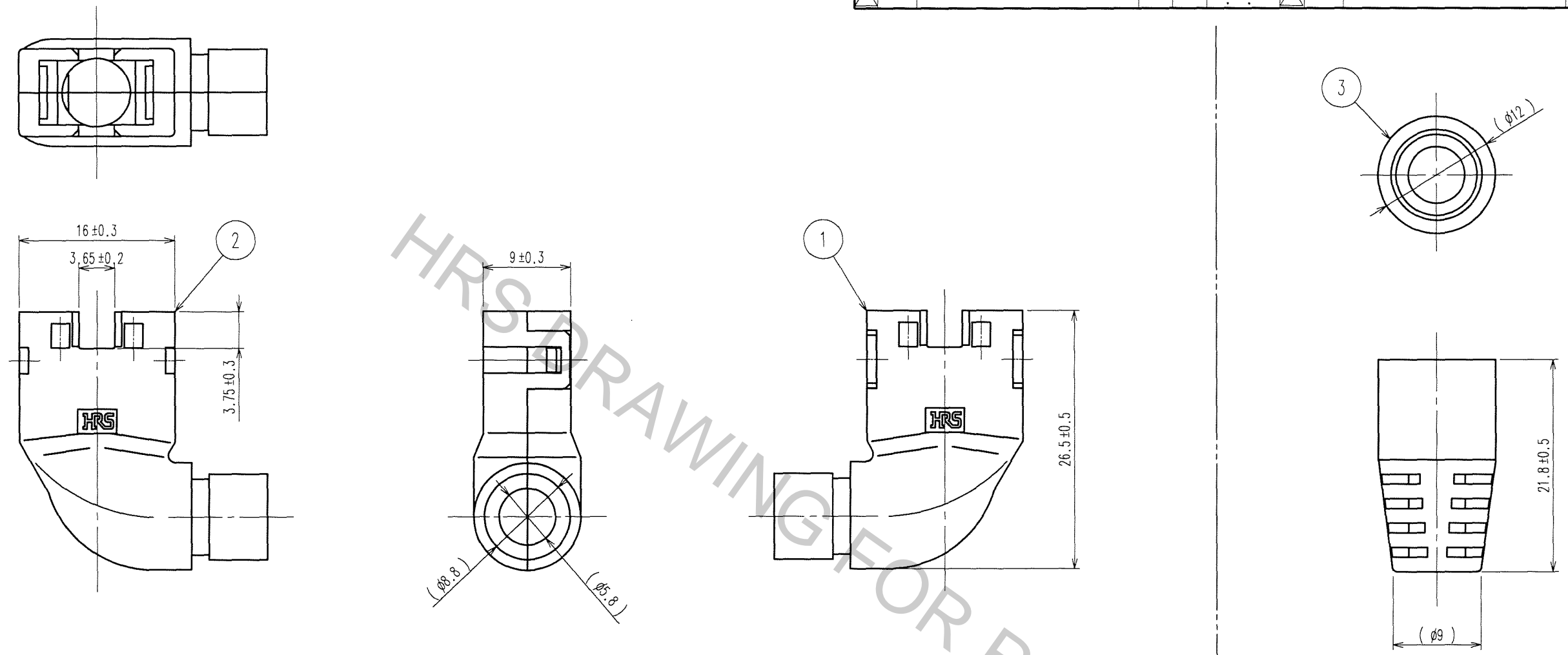


Apr.1.2017 Copyright 2017 HIROSE ELECTRIC CO., LTD. All Rights Reserved.

COUNT	DESCRIPTION OF REVISIONS	BY	CHKD	DATE	COUNT	DESCRIPTION OF REVISIONS	BY	CHKD	DATE
△				..	△				..
△				..	△				..
△				..	△				..



ASSEMBLED

NOTE 1. COMPONENTS OF REF. NO. ① ② AND ③ ARE PACKED SEPARATELY.

TO
Q

2	POLYCARBONATE (LIGHT BEIGE) UL94V-0	3	PVC (LIGHT BEIGE)			
1	POLYCARBONATE (LIGHT BEIGE) UL94V-0					
NO.	MATERIAL	FINISH, REMARKS	NO.	MATERIAL	FINISH, REMARKS	
CODE NO. (OLD)		DRAWN	DESIGNED	CHECKED	APPROVED	RELEASED
		<i>T. Toniguchi</i> 05.12.22	<i>T. Toniguchi</i> 05.12.22	<i>Y. Enami</i> 05.12.22	<i>H. Miura</i> 05.12.22	..
DRAWING NO. EDC3-027396-03			PART NO. TM11PA-88P(55)			
SCALE 2 : 1			CODE NO. CL222-1643-0-55			
UNITS mm			HIROSE ELECTRIC CO., LTD			