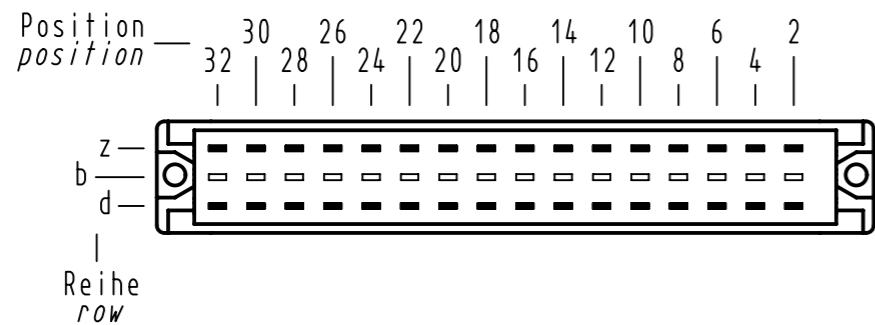


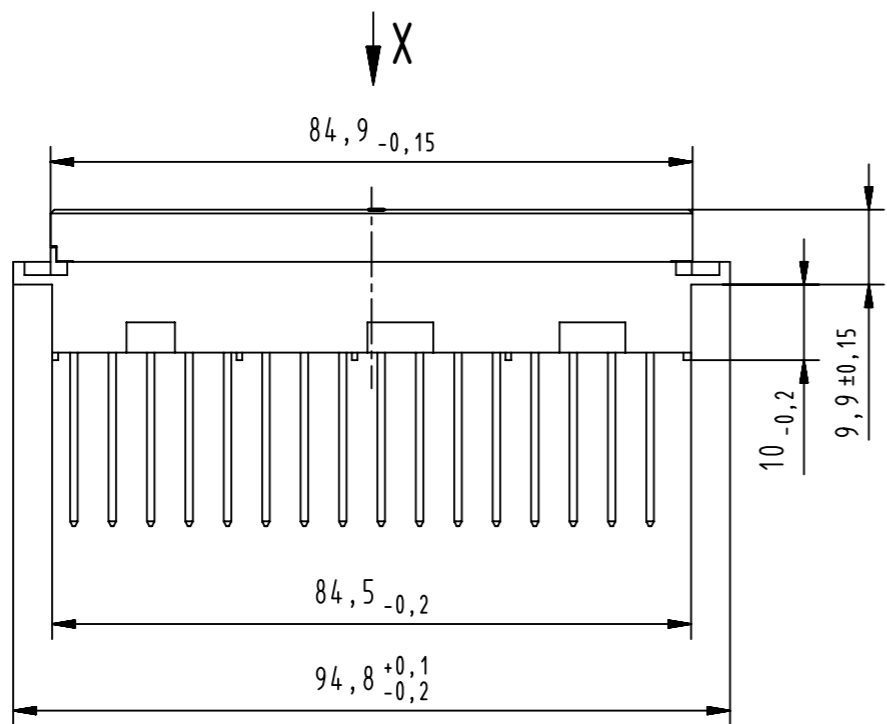
X  
Kontaktanordnung  
contact arrangement

32 WW - Kontakte  
32 ww - contacts

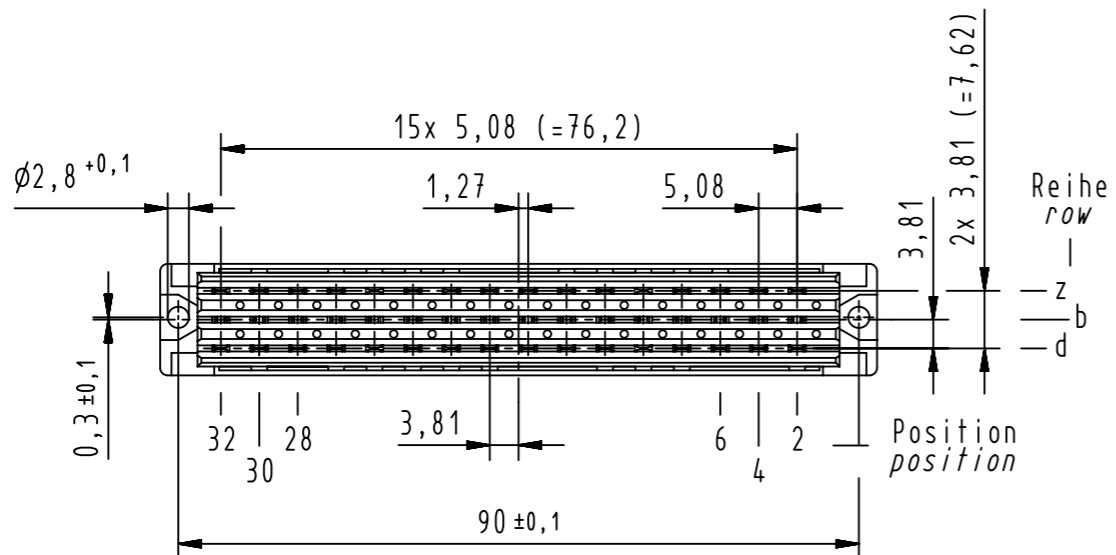
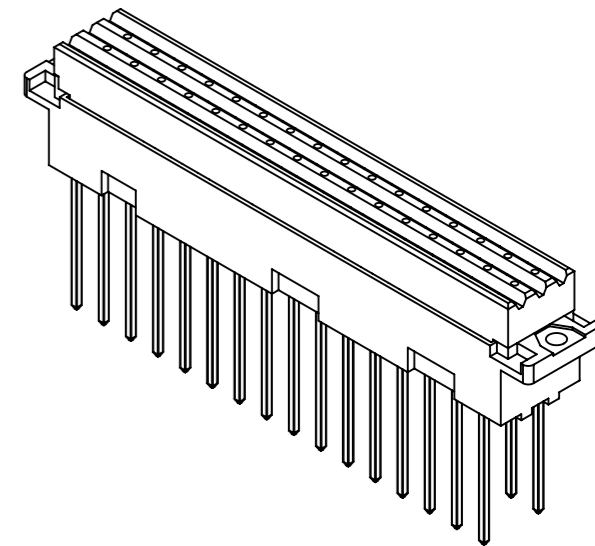
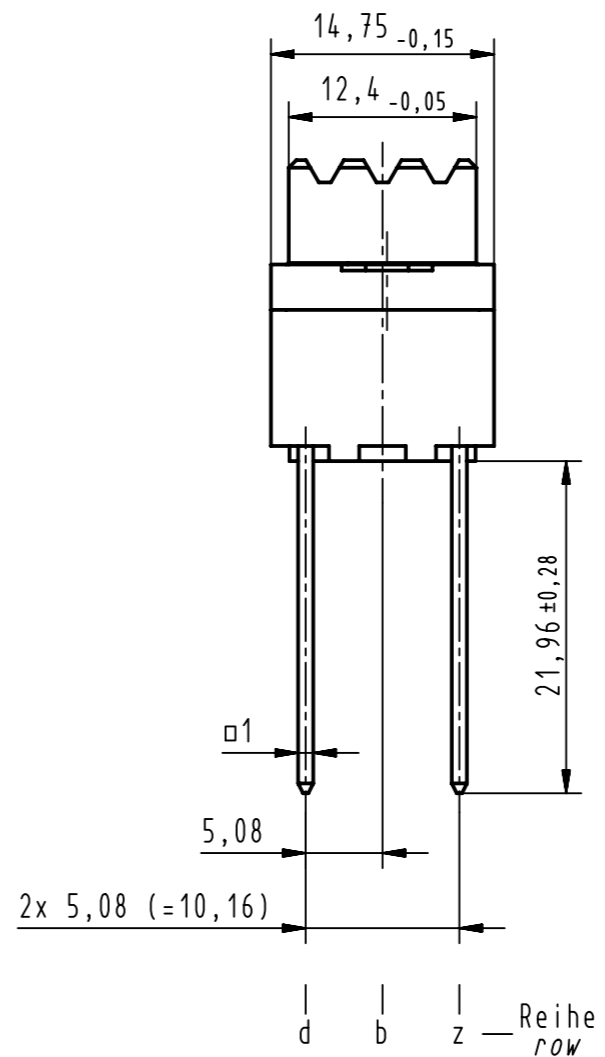


■ = Kontaktposition belegt  
= position with contact

□ = Kontaktposition nicht belegt  
= position without contact



Z (2:1)



① weitere Informationen siehe: DS 09 06 210 00 01  
further information see: DS 09 06 210 00 01

09 06 232 7831	3
09 06 232 6831	2
09 06 232 2831	1
Bestell-Nr. part-no.	Anforderungsstufe performance level ①

	All Dimensions in mm Original Size DIN A3	Scale 1:1	Free size tol. IEC 60603-2	Ref. Sub. TB 0906232X831 Mod. 36023 v. 19.03.10		
	All rights reserved Department EC PD - DE	Created by HAGEMEYERE	Inspected by LEHNERT	Standardisation HOFFMANN	Date 2013-01-30	State Final Release
HARTING Electronics GmbH D-32339 Espelkamp		Title DIN Power type F female ww 22 straight			Doc-Key / ECH-Nr. 100184594/UGD/014/B 50000058142	
		Type TB	Number 0906232X831		Rev. B	Page 1/1