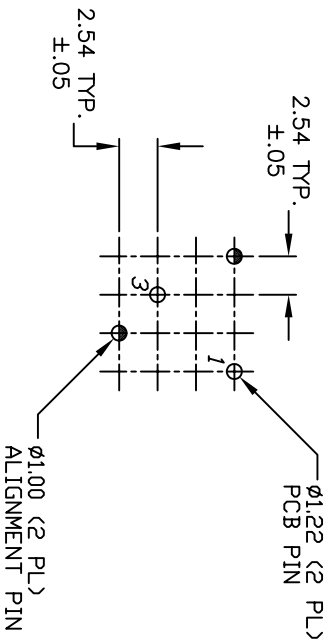
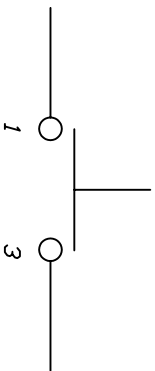


TOP VIEW - SHOW ORIENTATION OF LEGENDS
IN RESPECT TO THE PCB PIN TERMINALS.

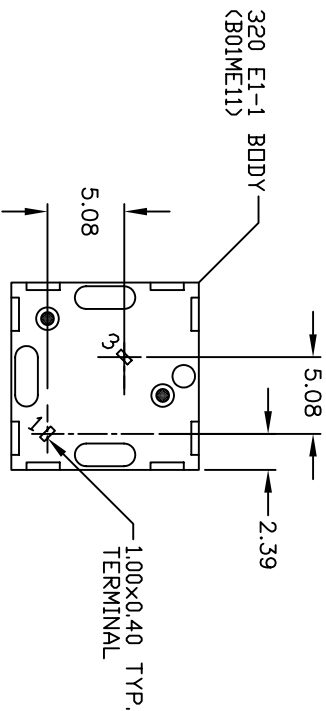
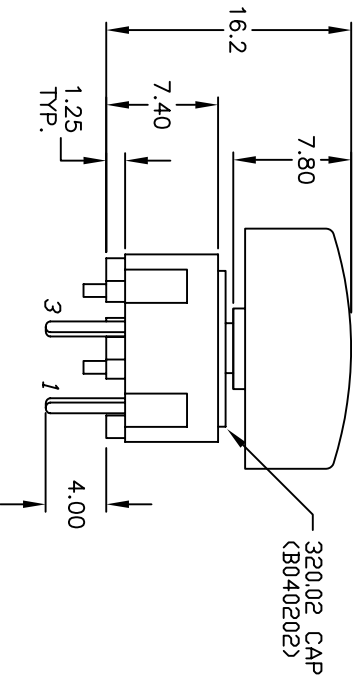
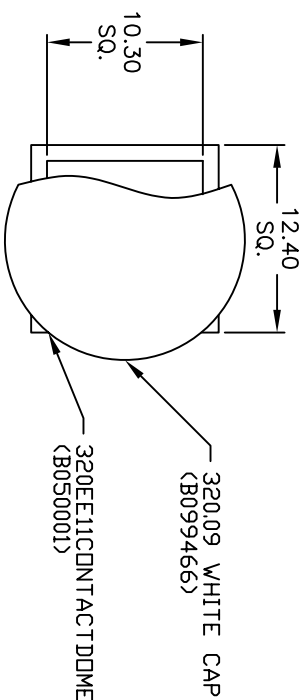


RECOMMENDED P.C.B. LAYOUT



CIRCUIT: SPST
CONTACT CONFIGURATION

- NOTES:
1. ALL DIMENSIONS IN MM
 2. GENERAL TOLERANCE: X.X=±0.4
X.XX=±0.25
 3. RATING: 25mA, @50VDC
 4. OPERATING FORCE: 120GF
 5. 2002/95/EC (ROHS) COMPLIANT



B	17268	ADDED DOME NOTE	5/9/07	TN
A	17087	RELEASED FOR PRODUCTION	3/13/07	TN
REV.	ECN No.	DESCRIPTION	DATE	CHKD

TITLE		SCALE		DATE	DR	DWG	REV
320.09E11WHT		2:1		5/9/07	TN	XB0919A	B

THE INFORMATION CONTAINED IN THIS DOCUMENT IS PROPRIETARY TO E-SWITCH AND IS NOT TO BE COPIED OR TRANSMITTED