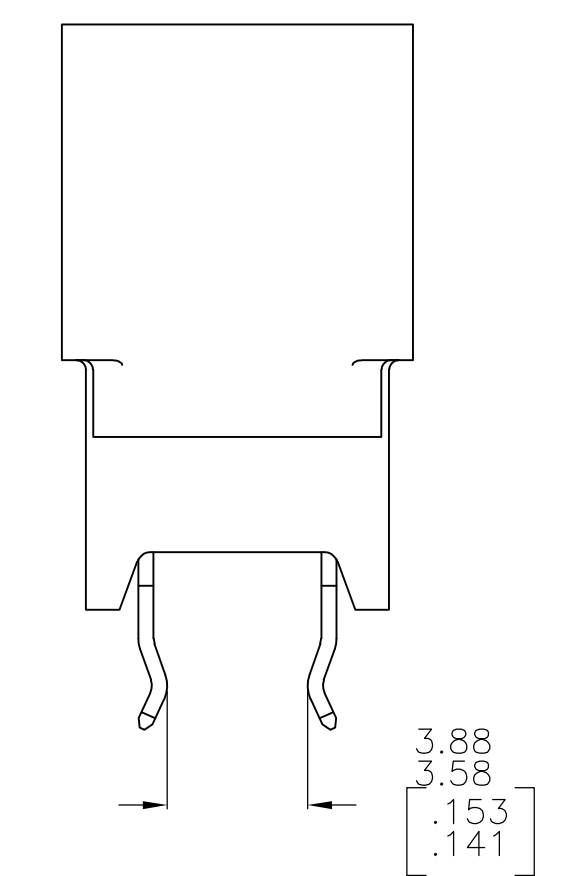
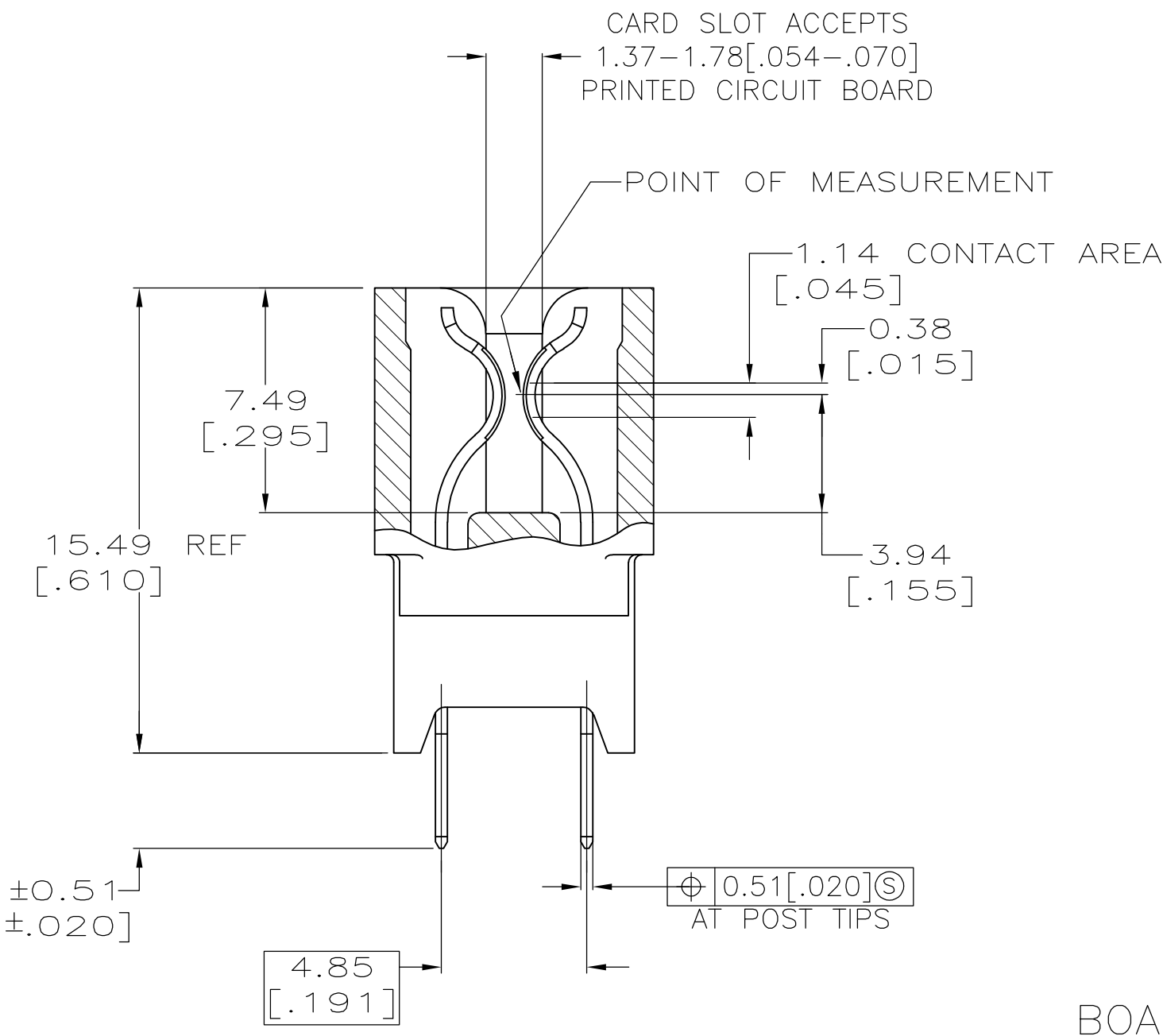
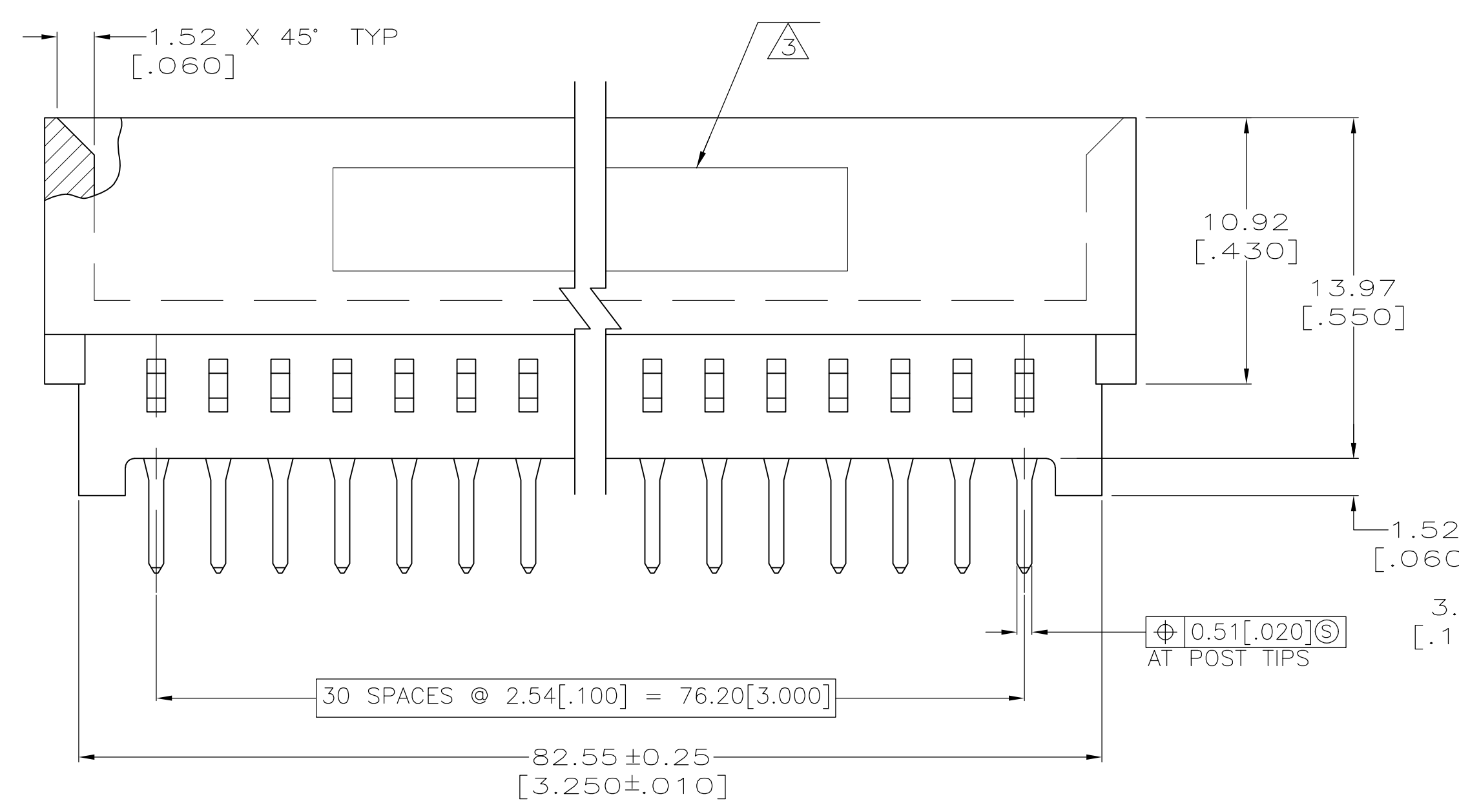
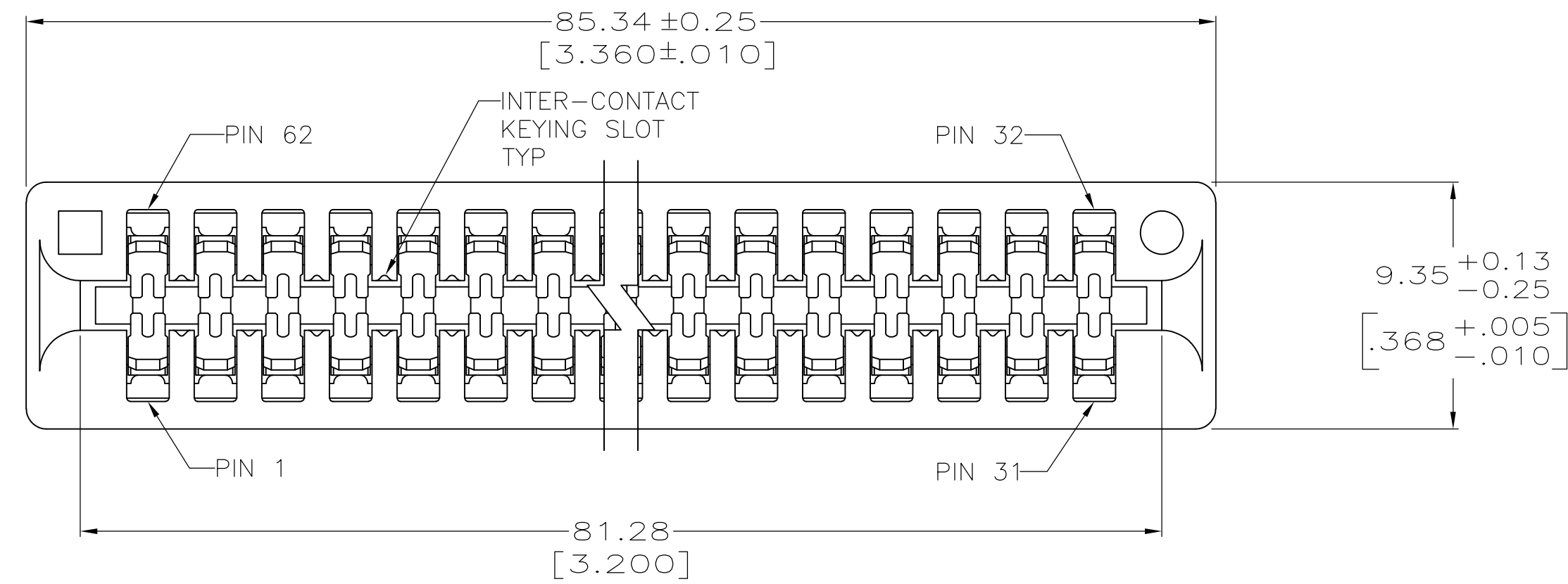


- MATERIAL:
HOUSING: GLASS FILLED POLYESTER; COLOR: BLACK.
CONTACT: PHOS BRONZE
- FINISH:
0.00038[.000015] MIN GOLD PLATE IN CONTACT AREA,
0.00254[.000100] MIN MATTE TIN ON SOLDER POSTS, ALL
OVER 0.00127[.000050] MIN NICKEL
- AMP LOGO, TE PART NUMBER, DATE CODE AND CSA LOGO INK
STAMPED WHITE (HOT STAMPED OR LAZER PRINTED) IN THE APPROXIMATE
AREA SHOWN, EITHER SIDE PERMISSABLE, WHEN HOUSING SIZE PERMITS
- RECOMMENDED PCB FINISHED HOLE DIAMETER = 1.02±0.08
[.040±.003]
- THE RETENTIVE FEATURE OF THIS CONNECTOR IS DESIGNED FOR
FULL SEATING IN 1.57±0.20[.062±.008] THICK CIRCUIT BOARDS.
FOR APPLICATIONS IN BOARDS OF OTHER THICKNESSES, CONTACT
TYCO ELECTRONICS



BOARD RETENTION FEATURE
(SEE TABLE FOR LOCATION)

OBSOLETE	5176138-5
OBSOLETE	5176138-3
OBSOLETE	5176138-1

PART NUMBER

5, 6, 57, 58	31	5176138-2
BOARD RETENTION FEATURE LOCATION	NO OF POSN	PART NUMBER

THIS DRAWING IS A CONTROLLED DOCUMENT.

DIMENSIONS: mm [INCHES]	TOLERANCES UNLESS OTHERWISE SPECIFIED: 0. PLC ± - 1. PLC ± - 2. PLC ± 0.13[.005] 3. PLC ± - 4. PLC ± - ANGLES ± -	DWN: AWF/L.A.MAYER 27FEB2008 CHK: A.W.FRANTUM 27FEB2008 APVD: S.FLICKINGER 27FEB2008	NAME: S.FLICKINGER	RESTRICTED TO: -
MATERIAL: SEE NOTE 1	FINISH: SEE NOTE 2	WEIGHT: -	SIZE: A1	SCALE: 5:1
CUSTOMER DRAWING		000779	5176138	SHEET 1 OF 1

Tyco Electronics Corporation
Harrisburg, PA 17105-3608

CONNECTOR ASSEMBLY, EDGE CARD, 2.54[.100] CENTERLINE