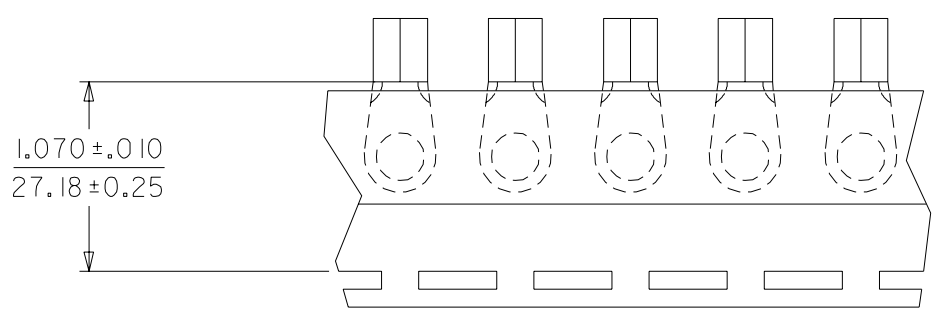
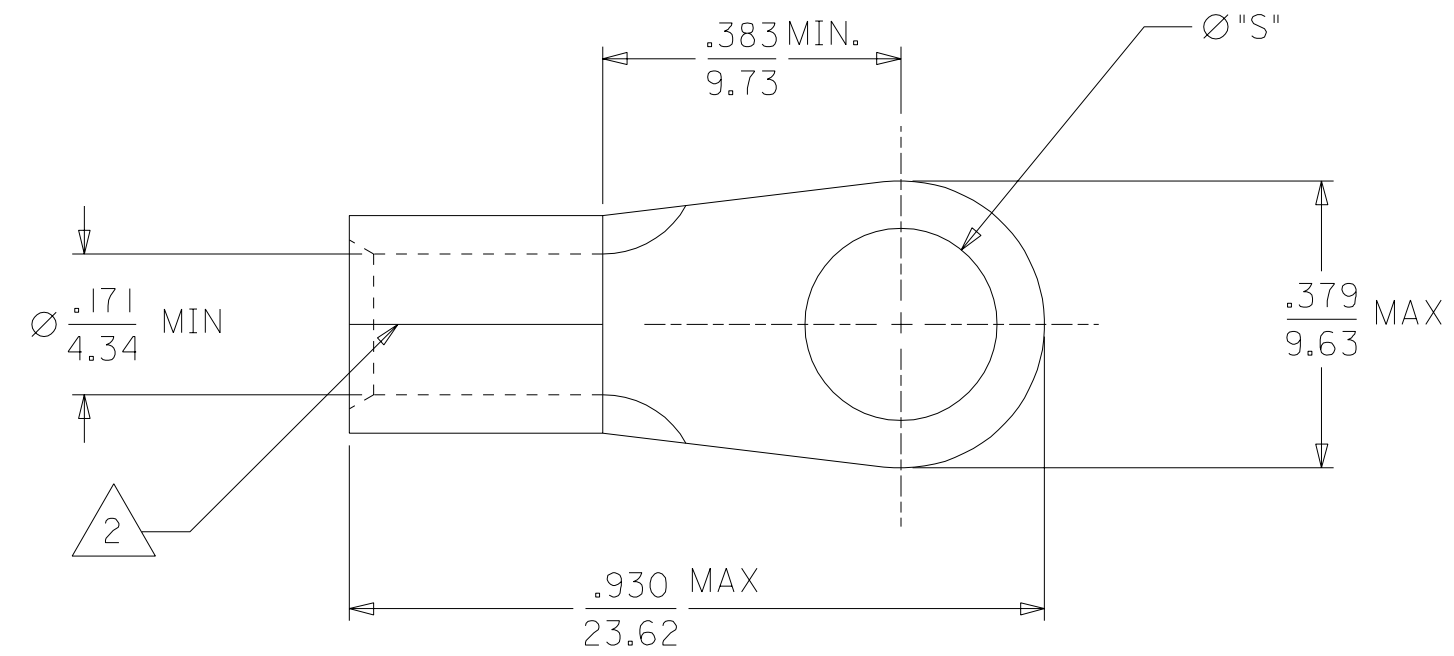


| MATERIAL NUMBER | ENGINEERING NUMBER | STUD SIZE | "S" ±.003/(0.08) | PACKAGING |
|-----------------|--------------------|-----------|---------------------|----------------|
| 191930198 | D-356-06 | 6 | .146/(3.71) | LOOSE PIECE |
| 191930200 | D-356-08 | 8 | .173/(4.39) | |
| 191930202 | D-356-10 | 10 | .198/(5.03) | |
| 191930204 | D-356-14 | 14 | .265/(6.73) | |
| 191930199 | D-356-06T | 6 | .146/(3.71) | TAPE |
| 191930201 | D-356-08T | 8 | .173/(4.39) | |
| 191930203 | D-356-10T | 10 | .198/(5.03) | |
| 191930205 | D-356-14T | 14 | .265/(6.73) | |



TAPE MOUNTING LOCATION



SALES DRAWING

NOTES:
 1. MATERIAL: COPPER
 PLATING: ELECTRO-TIN.
 2. BRAZED SEAM.

| | | | | | | | | | |
|--|-----------------|---|--|--|-----------------------------|--|---------------------|-----|-----------|
| WAS SD-19069-012 EC NO. ETC2003-0333 DRWN: BRE 03/06/23 CHK: HEB 03/06/23 APPR: RWD 03/06/23 | QUALITY SYMBOLS | GENERAL TOLERANCES: (UNLESS SPECIFIED) | SCALE 4:1 | DESIGN UNITS <input type="checkbox"/> mm <input checked="" type="checkbox"/> INCH | THIRD ANGLE PROJECTION | DIMENSIONS: <input type="checkbox"/> mm <input checked="" type="checkbox"/> INCH <input type="checkbox"/> mm ONLY | SHT | REV | |
| | MAJOR =0 | mm | INCH | DRAWN BY & DATE BRE 03/06/18 | TITLE: RING TONGUE TERMINAL | | | | |
| | CRITICAL =0 | 4 PLACES ±0. | ±. | CHECKED BY & DATE HEB 03/06/18 | VERSAKRIMP | | | | |
| | | 3 PLACES ±0. | ±. | APPROVED BY & DATE RWD 03/06/18 | 8 AWG | | | | |
| | 2 PLACES ±0. | ±. | ANGULAR: ±1/2° | CAD FILENAME SD-19193-012 .S01 | MATERIAL NO. SEE CHART | DRAWING NO. SD-19193-012 | SHEET NO. 1 OF 1 | | |
| | 1 PLACE ±0. | ±. | DRAFT WHERE APPLICABLE MUST REMAIN WITHIN DIMENSIONS | THIS DRAWING CONTAINS INFORMATION THAT IS PROPRIETARY TO MOLEX INCORPORATED AND SHOULD NOT BE USED WITHOUT WRITTEN PERMISSION. | | | | | SIZE B |