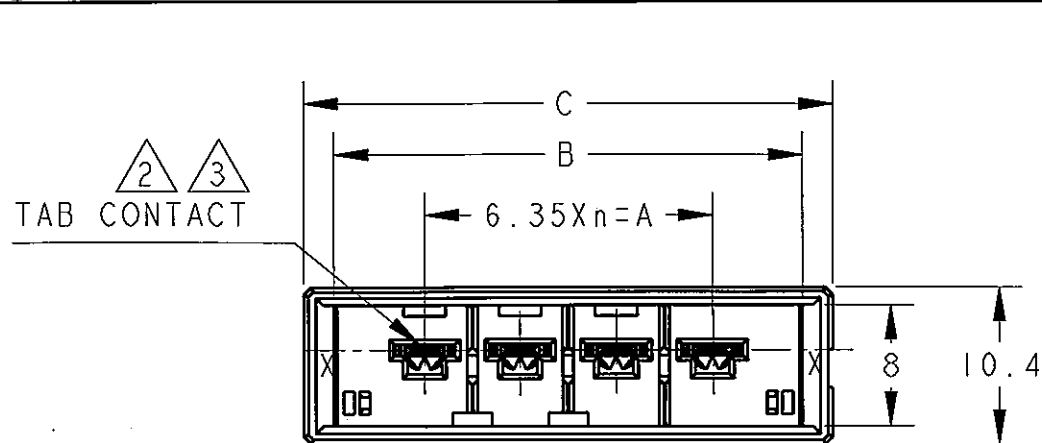
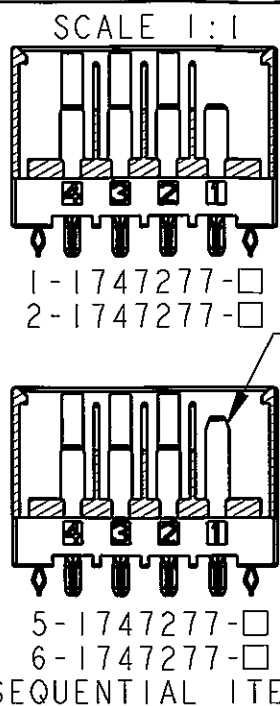


THIS DRAWING IS UNPUBLISHED. RELEASED FOR PUBLICATION 20  
 © COPYRIGHT 20 BY TYCO ELECTRONICS CORPORATION. ALL RIGHTS RESERVED.

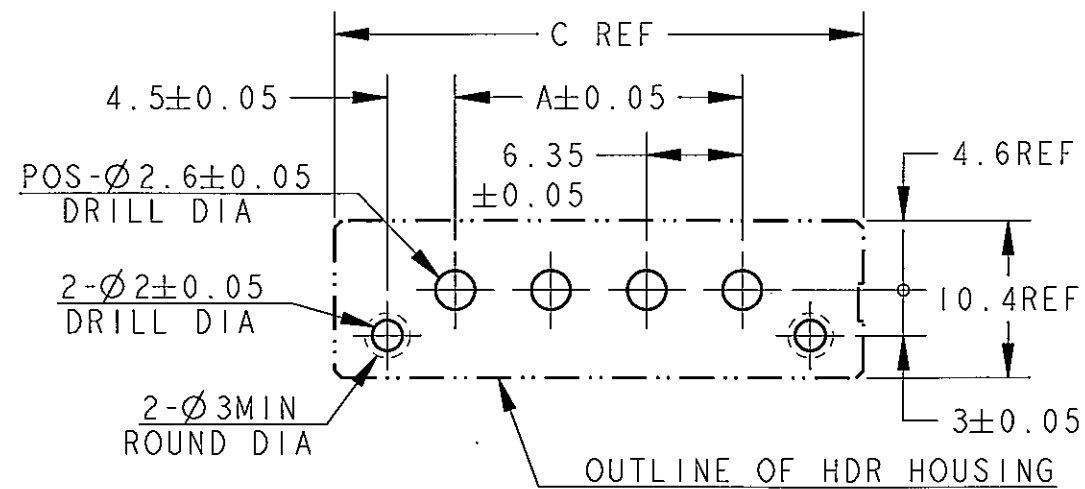
LOC	DIST	REVISIONS						
J	-	P	LTR	DESCRIPTION	ECN	DATE	DWN	APVD
		0		RELEASED		02JUL2004	T.K	D.M
		01		ADD PART(SEQUENTIAL) NO	ECR-06-030228	24AUG2005	T.K	D.M
		02		REVISED PCB TEXT	ECR-07-005648	22MAR2007	M.M	D.M
		A		REVISED		26NOV2009	Y.O	N.Y



KEY LOCATION VIEW

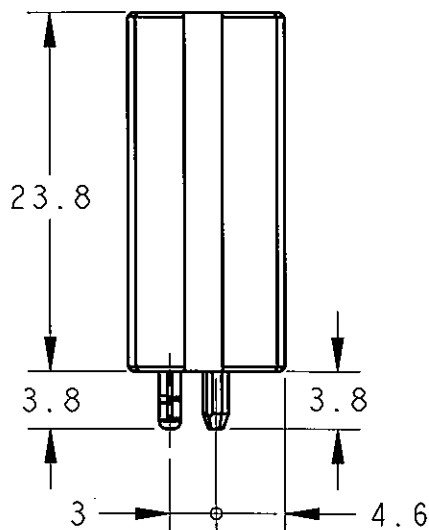
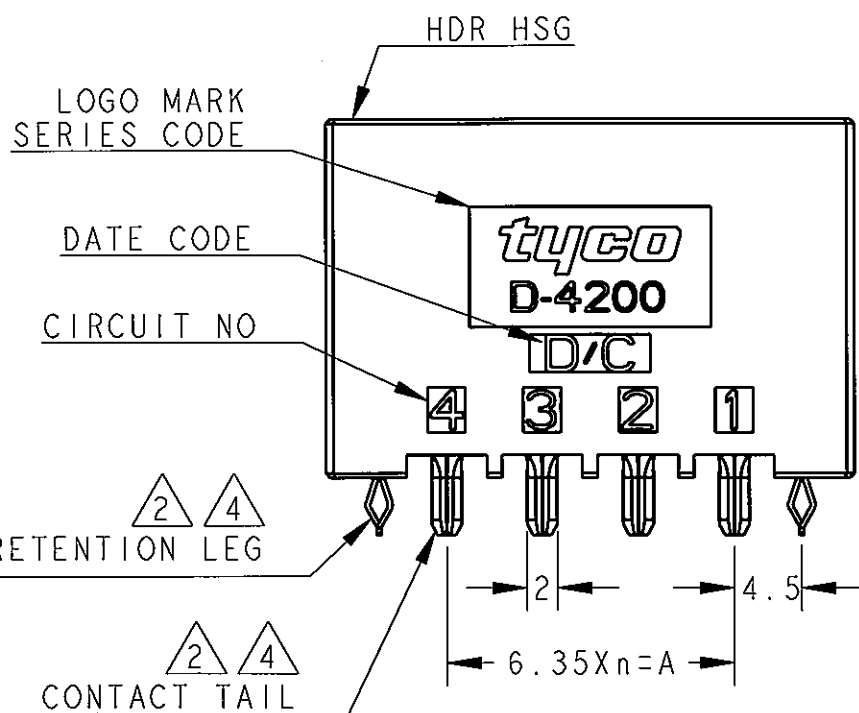


SEQUENTIAL CONTACT : ONLY CIRCUIT NO.1



推奨基板取付寸法: コネクタ搭載面(非累積公差)  
 PC基板厚: 1.6~2.4±0.1

RECOMMEND PC BOARD HOLE PATTERN : CONNECTOR MOUNT SIDE (NOT ACCUMULATE TOLERANCE)  
 PC BOARD THICKNESS : 1.6~2.4±0.1



AS SHOWN: 1-1747277-4 (4 POS: X-KEY)

4	3		35.05	31.05	19.05	Y	2-1747277-4 6-1747277-4
4	3		35.05	31.05	19.05	X	1-1747277-4 5-1747277-4
3	2		28.70	24.70	12.70	Y	2-1747277-3 6-1747277-3
3	2		28.70	24.70	12.70	X	1-1747277-3 5-1747277-3
2	1		22.35	18.35	6.35	Y	2-1747277-2
2	1		22.35	18.35	6.35	X	1-1747277-2
POS	n	KEY LOCATION	C	B	A	KEY	PART NUMBER

1. MATERIAL: HOUSING: GLASS FILLED THERMO PLASTIC POLYESTER(94V-0), COLOR: BLACK  
 CONTACT: COPPER ALLOY  
 RETENTION LEG: COPPER ALLOY

- ②. FINISH(ALL OVER): NICKEL PL. 1.3μmMIN
- ③. FINISH(CONTACT AREA): GOLD PL. 0.38μmMIN AFTER ②
- ④. FINISH(CONTACT TAIL & RETENTION LEG) : TIN PL. 2μmMIN AFTER ②

1. 材料: ハウジング: ガラス入り熱可塑性ポリエステル樹脂(94V-0), 色: 黒  
 コンタクト: 銅合金  
 リテンションレグ: 銅合金

- ②. めっき(全面): ニッケル下地めっき1.3μm以上。
- ③. めっき(接触部): ②の上に金めっき0.38μm以上。
- ④. めっき(コンタクト半田付部とリテンションレグ): ②の上に錫めっき2μm以上。

THIS DRAWING IS A CONTROLLED DOCUMENT FOR TYCO ELECTRONICS CORPORATION IT IS SUBJECT TO CHANGE AND THE CONTROLLING ENGINEERING ORGANIZATION SHOULD BE CONTACTED FOR THE LATEST REVISION.

DIMENSIONS: 単位: 概 mm	TOLERANCES UNLESS OTHERWISE SPECIFIED: 一般公差 ±0.3, ±3°	DWN T. KUDO 02JUL2004	Tyco Electronics Corporation Kawasaki, Japan
	0-PLC ±	CHK D. MITSUGI 02JUL2004	
	1-PLC ±0.5	APVD D. MITSUGI 02JUL2004	
MATERIAL 材料	FINISH 仕上	NAME 名称 DYNAMIC D4200S 6.35mm PITCH HDR ASSY (V-TYPE) 2-4POS	RESTRICTED TO
		PRODUCT SPEC 108-78182	SIZE A3
		APPLICATION SPEC 114-5369	CAGE CODE 00779
		WEIGHT	DRAWING NO C=1747277
		CUSTOMER DRAWING	SCALE 2:1
			SHEET 1 OF 1
			REV A