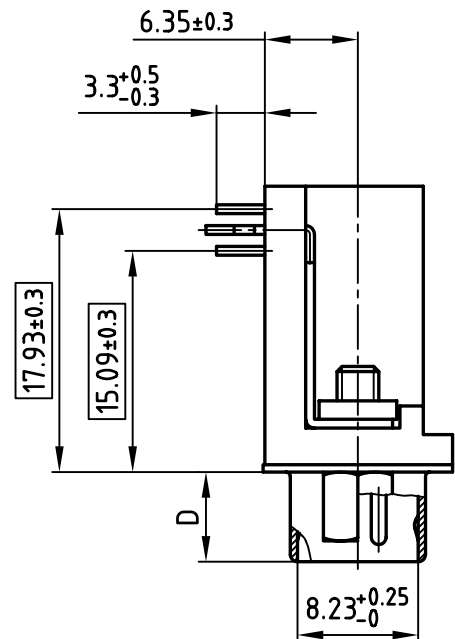
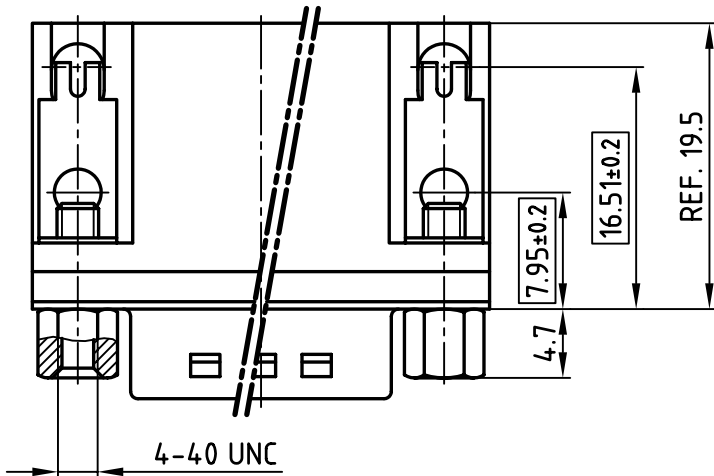
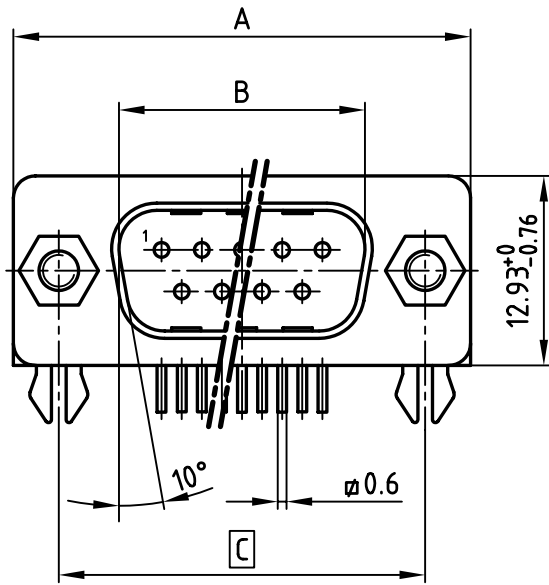


used for: D-SUB

NOTES:

1. METALSHELLS: STEEL; TIN PLATED
2. INSULATORS: PA UL 94 V-0; BLACK
3. PLATING: min. 8µ" HARD GOLD OVER
min. 50µ" NICKEL
4. PCB-SNAP: COPPER ALLOY; TIN PLATED
PCB-HOLE: $\phi 3.1 \pm 0.1$; PCB THICKNESS 1.6mm
5. PCB-BOARD DRILLINGS ON DRAWING No.16K11IU A
6. = CRITICAL DIMENSION: SPC



POS.	A -0.76	B $+0.25$	C	D -0.3	PART-NO.
9	31.19	16.79	25.00 $+0.12/-0.13$	6.12	301A10979X
15	39.52	25.12	33.30 $+0.15/-0.1$	6.12	301A10989X
25	53.42	38.84	47.04 ± 0.13	5.99	301A10999X
37	69.70	55.30	63.50 ± 0.13	5.99	301A11009X

THIS DRAWING MAY NOT BE COPIED OR REPRODUCED IN ANY WAY, AND MAY NOT BE PASSED ON TO A THIRD PARTY WITHOUT WRITTEN PERMISSION.
 OWNERSHIP AND COPYRIGHT OF CONEC GmbH
DO NOT ALTER CAD DRAWING BY HAND

tolerance				scale: 2:1	
				material: SEE NOTES	
1999	date	name		title: D-SUB MALE 90° 0.590inch 9-37pos. with threaded insert , Hex bolts and clip	
drawn	29.09.	Barcinski			
appd.	29.09.	Mickenbecker			
norm	DIN 41652				
d-old				dwg no: CAD/ REL.14 16K11KQA product no: SEE TABLE	
rev.	description	date	name	DIN-A 4 sh: 1/1	

