

PRODUCT NUMBER	PITCH
H5xx00x100J0G	7.62 mm

Dimension

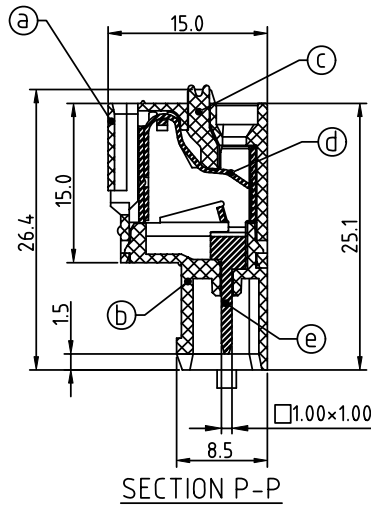
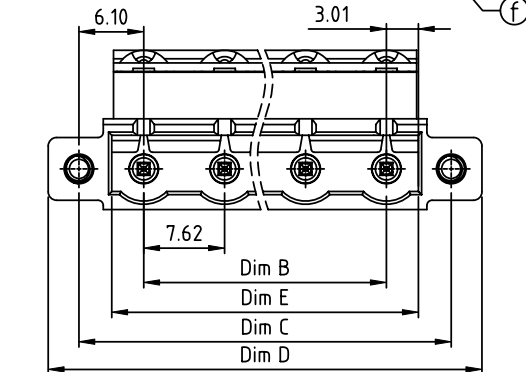
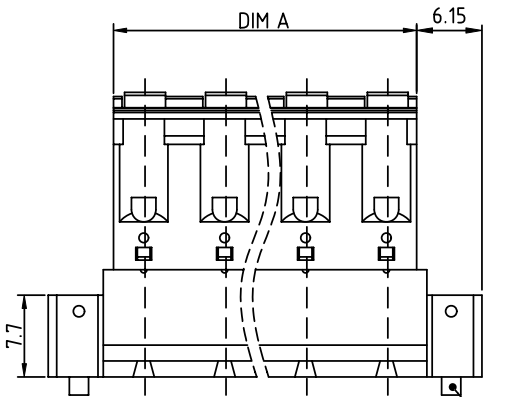
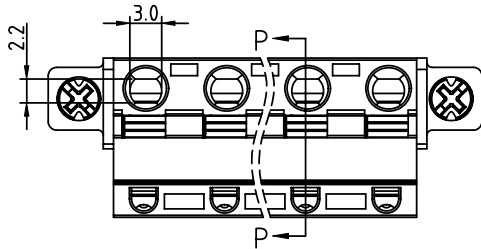
DIM A	$(N-1) \times 7.62 + 5.7$
DIM B	$(N-1) \times 7.62$
DIM C	$(N-1) \times 7.62 + 12.2$
DIM D	$(N-1) \times 7.62 + 18.0$
DIM E	$(N-1) \times 7.62 + 6.02$

N=Number of poles

POLES	Tolerance
2p-6p	±0.20
7p-12p	±0.30
13p-16p	±0.40

PART NO.: H5 xx 0 0 x 1 00J0 G

	Color	RoHS compliant
Solid block	0 Black (RAL9005)	(lead<4%)
No. of poles	2 Red (RAL3001/D)	In copper Alloy
02 2 poles	3 Orange(RAL2011/P)	
03 3 poles	4 Yellow(RAL1018/A)	
...	5 Green(RAL6018/T)	
...	6 Blue (RAL5015/A)	
16 16 poles	8 Grey(RAL7035/D)	
	9 White(RAL1102)	
	C Green(RAL6018/U)	



Material:

- Item a Top body: Thermoplastic (UL94V-0)
- Item d Bottom body: Thermoplastic (UL94V-0)
- Item c Terminal lever: Thermoplastic (UL94V-0) Orange (RAL2001/P)
- Item b Spring Clamp: Stainless Steel
- Item e Male contact pin: PhBz (CuSn) Tin plated
- Item f Flange screw: Steel Zinc plating M2.5 "+/-" combination type

Electrical

- Voltage rating: 300V
- Current rating: 10A
- Solid wire(AWG): 12-26
- Stranded wire(AWG): 12-26
- Wire strip length: 9-10mm
- Withstanding Voltage: 1.6KV
- Operating temperature: -40°C to +115°C
- Safety Approval: cULus

mat'l. code		surface ASME Y14.5 ✓	tolerance ASME Y14.5	projection MM	product family TERMINAL BLOCK
ltr	ecn no	dr	date		title TERMINAL BLOCK SPRING CLAMP, PLUGGABLE PLUG MALE CONNECTOR, FLANGE WITH SCREW
tolerances unless otherwise specified					
angles		X.±0.5			dwg no H5xx00x100J0G sheet 1 of 1 size A4
X°±1'		X.XX±0.1			
dr	ENGR	EVIN ZHONG	051714		
	enr	EVIN ZHONG	051714		
	chr	HANKE FENG	051714		
	appd	SHI JUN	051714		type CUSTOMER Drawing
sheet index	revision sheet	A	1		