

IEC Appliance Inlet C14 with Line Switch 1-pole



Snap-in version



Description

- Panel Mount :
Snap-in version , from front side , Appliance Inlet , Protection class I , Line Switch 1-pole
- Solder terminals or quick connect terminals

Approvals

- VDE Certificate Number: 40017874
- UL File Number: E88880
- CSA File Number: 1084381

Characteristics

- Line switch non-illuminated

References

Alternative: with 1- or 2-pole switch illuminated [DC11](#)
Last order date: 30.06.2017
Last delivery date: 30.09.2017

Weblinks

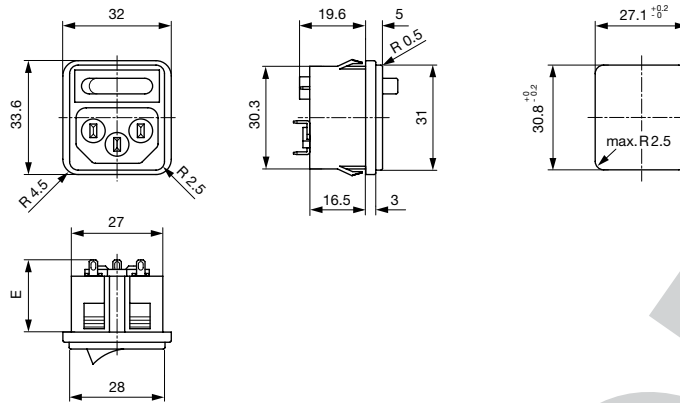
[pdf datasheet](#), [html-datasheet](#), [General Product Information](#), [RoHS](#), [CHINA-RoHS](#), [REACH](#), [Distributor-Stock-Check](#), [Accessories](#), [Detailed request for product](#)

Technical Data

Ratings IEC	10A / 250VAC; 50Hz	appliance inlet/-outlet	C14 acc. to IEC 60320-1
Ratings UL/CSA	6A / 250VAC; 60Hz		UL 498, CSA C22.2 no. 42 (for cold conditions) pin-temperature 70 °C, 10A, Protection Class I
Dielectric Strength	> 3kVAC between L-N > 1.5kVAC between L/N-PE (1 min/50Hz)	Line Switch	Rocker switch 1-pole, non-illuminated black, acc. to IEC 61058-1 Technical Details
Allowable Operation Temperature	-25 °C to 70 °C		
IP-Protection	from front side IP 20 acc. to IEC 60529		
Insulation cover	Suitable for appliances with protection class I acc. to IEC 61140		
Terminal	Solder terminals or quick connect terminals		
Panel Thickness s	Snap-in1.0 - 2.5 mm		
Material: Housing	PA6, black, UL 94V-0		

Detailed information on product approvals, code requirements, usage instructions and detailed test conditions can be looked up in [General Product Information](#)

Dimensions



- E: Quick-connect terminals 4.8x0.8 mm: 26.4 mm
- E: Quick-connect terminals 6.3x0.8 mm: 27.4 mm
- E: Solder terminals short: 22.0 mm
- E: Solder terminals long: 25.6 mm

Config. Code

1074 - H - ABCN - D - EGOP

The characters are placeholders for the correspondingly keys of selections from the key tables.

1074 - **H** - ABCN - D - EGOP = Type

Type	Configuration key
protection class I	X

1074 - H - **A** BCN - D - EGOP = Terminals

Terminal L	Configuration key
short solder terminal (L = 4.8 mm)	2
long solder terminal (L = 8.5 mm)	3
Blade terminal (4.8 x 0.8 mm)	8
Blade terminal (6.3 x 0.8 mm)	9

1074 - H - A **B** CN - D - EGOP = Terminals

Terminal N	Configuration key
short solder terminal (L = 4.8 mm)	2
long solder terminal (L = 8.5 mm)	3
Blade terminal (4.8 x 0.8 mm)	8
Blade terminal (6.3 x 0.8 mm)	9

Symbols similar as in table A

1074 - H - AB **C** N - D - EGOP = Terminals

Terminal Ground	Configuration key
short solder terminal (L = 4.8 mm)	2
long solder terminal (L = 8.5 mm)	3
Blade terminal (4.8 x 0.8 mm)	8
Blade terminal (6.3 x 0.8 mm)	9

Symbols similar as in table A

1074 - H - ABC **N** - D - EGOP = Terminal Fuseholder

Terminal Fuseholder	Configuration key
without terminal	0

1074 - H - ABCN - **D** - EGOP = Color

Color	Configuration key
Black	A

1074 - H - ABCN - D - **E** GOP = Style

Style	Configuration key
snap-in standard type	3

1074 - H - ABCN - D - E **G** OP = Mass S

Mass "s"	Configuration key	Features	Configuration key
00		not used	0

The dimension "S" is displayed in (1/10 mm). This information is also valid for the order code

1074 - H - A B C N - D - E G **O P** = Features

1074 - H - A B C N - D - E G **O P** = Switches

Switches	Configuration key
unipolar switch, 4,8mm blade terminal, black rocker	2

All Variants

Type	Terminal L	Terminal N	Terminal Ground	Features	Switches	Config. Code	V-Lock	Order Number
protection class I	short solder terminal (L = 4.8 mm)	short solder terminal (L = 4.8 mm)	short solder terminal (L = 4.8 mm)	not used	unipolar switch, 4,8mm blade terminal, black rocker	1074-X-2220-A-30002		4304.6040
protection class I	Blade terminal (4.8 x 0.8 mm)	Blade terminal (4.8 x 0.8 mm)	Blade terminal (4.8 x 0.8 mm)	not used	unipolar switch, 4,8mm blade terminal, black rocker	1074-X-8880-A-30002		4304.6041
protection class I	Blade terminal (6.3 x 0.8 mm)	Blade terminal (6.3 x 0.8 mm)	Blade terminal (6.3 x 0.8 mm)	not used	unipolar switch, 4,8mm blade terminal, black rocker	1074-X-9990-A-30002		4304.6042

The listed variants should be available from stock Other versions on request www.schurter.com/contact

Availability for all products can be searched real-time: <http://www.schurter.com/en/Stock-Check/Stock-Check-SCHURTER>

Packaging unit 50 Pcs

Accessories

Description



Assorted Covers
Rear Cover

Mating Outlets/Connectors

Category / Description

[Connector Overview complete](#)



4782 Mounting: Power Cord, 3 x 1 mm ² / 3 x 18 AWG, Cable, Connector: IEC C13	4782
4022 Mounting: Power Supply Cord, 3 x 1.5 mm ² , Screw clamps, Connector: IEC C13	4022
4785 Mounting: Power Cord, 3 x 1 mm ² / 3 x 18 AWG, Cable, Connector: IEC C13	4785
4300-06 Mounting: Power Cord, 3 x 1 mm ² / 3 x 18 AWG, Cable, Connector: IEC C13	4300-06
4012 Mounting: Power Supply Cord, 3 x 1.5 mm ² , Screw clamps, Connector: IEC C13	4012
Connector further types to 1074	...



[Interconnection Cord Overview complete](#)

Cord Sets 10 A, Interconnection, 2.0 m, IEC H05VV-F3G1.0, black	6007.0204
Cord Sets 10 A, Interconnection, 1.0 m, Connector IEC C13, H05VV-F3G1.0, black	6007.0212
Cord Sets 10 A, Interconnection, 2.0 m, Connector IEC C13, H05VV-F3G1.0, black	6007.0214

[Interconnection Cord further types to 1074](#)

[Power Supply Cord Overview complete](#)



Cord Sets 10 A, Europlug, 2.5 m, Connector IEC C13, H05VV-F3G1.0, black	6004.0215
Cord Sets 10 A, Europlug, 2.5 m, Connector IEC C13, H05VV-F3G1.0, black	6003.0215
Cord Sets 10 A, uninsulated wires, 2.0 m, Connector IEC C13, H05VV-F3G1.0, black	6000.0224
Cord Sets 10 A, uninsulated wires, 2.0 m, Connector IEC C13, H05VV-F3G1.0, black	6000.0214
Cord Sets 10 A, United Kingdom, 2.5 m, Connector IEC C13, H05VV-F3G1.0, black	6044.0215

[Power Supply Cord further types to 1074](#)

...

[Power Supply or Interconnection Cord Overview complete](#)



Cord Sets 10 A, United Kingdom, 2.0 m, Connector IEC H05VV-F3G1.0, black	6044.0204
--	-----------

[Power Supply or Interconnection Cord further types to 1074](#)

PHASE