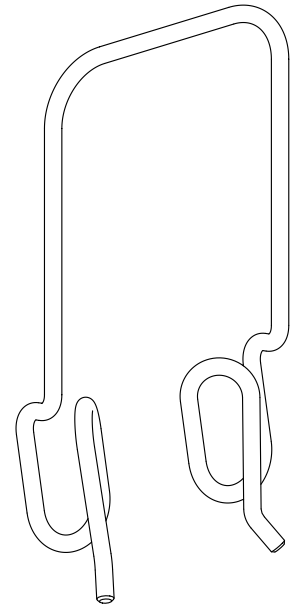
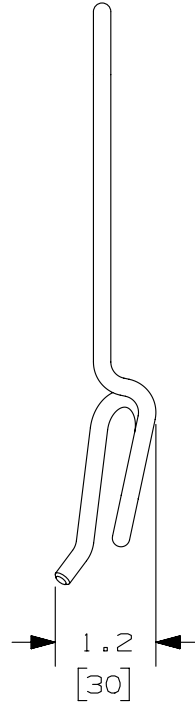
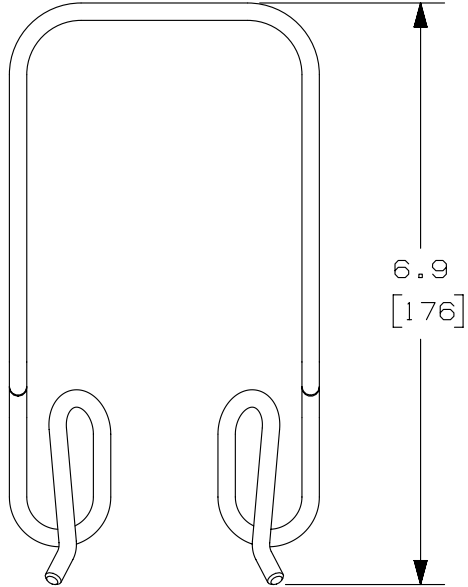
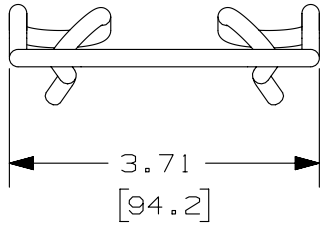


THIS COPY IS PROVIDED ON A RESTRICTED BASIS AND IS NOT TO BE USED IN ANY WAY DETRIMENTAL TO THE INTERESTS OF PANDUIT CORP.



PANDUIT PART NUMBER	WEIGHT
WGSW4**	.25 LBS (112.0 g)

NOTES:

- PANDUIT PART NUMBER WGSW4** INCLUDES:
A. ONE (1) WYR-GRID SIDE WALL 4"
- DIMENSIONS IN PARENTHESES ARE METRIC.
- SEE CATALOG FOR ADDITIONAL PART SUFFIXES TO INDICATE PART FINISH AND/OR PACKAGE QUANTITY.

R	02-24-14	SSP	DWR	RN	RELEASED TO PRODUCTION			12D344BM-DC
REV	DATE	BY	CHK	APR	DESCRIPTION			ECN

TITLE WYR-GRID SIDE WALL 4" (WGSW4**) CUSTOMER DRAWING			
ITEM REVISION NAME 12D344BM/00		PANDUIT	
DATASET FILE NAME 12D344BM-DC/00A WGSW4**			
UNLESS OTHERWISE SPECIFIED, DIMENSIONAL TOLERANCES ARE: IN [mm]			
.x ± .1 [2.5]		.xxx ±	
.xx ± .06 [1.5]		ANGLES ± 5 °	
		THIRD ANGLE PROJECTION	
		DRAWING NUMBER: 12D344BM-DC	
DRAWN BY SSP	DATE 02-24-14	CHK DWR	SCALE NONE
SHT 1 OF 1			SIZE A