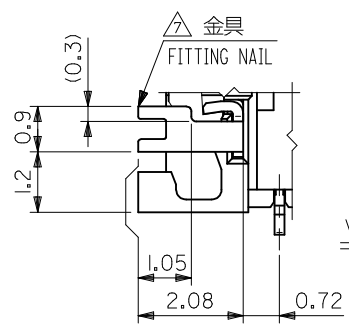
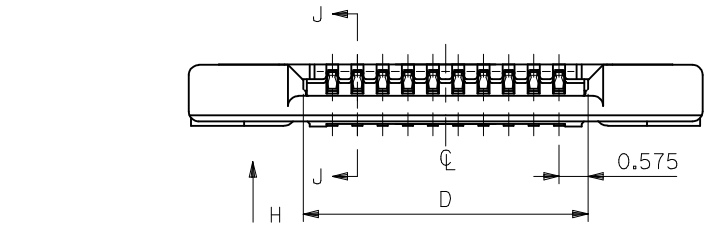
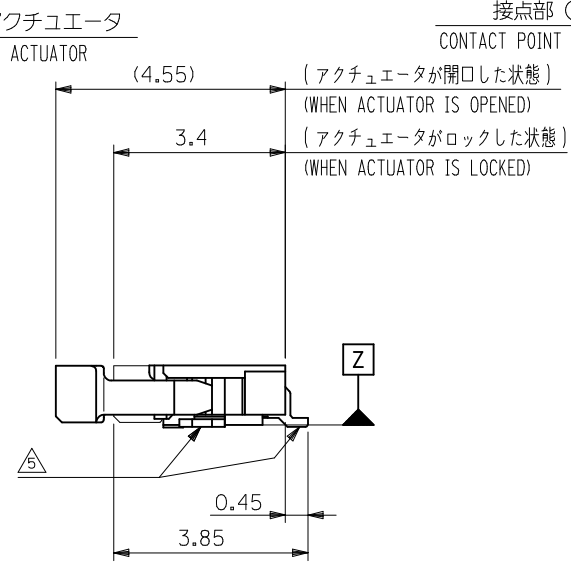


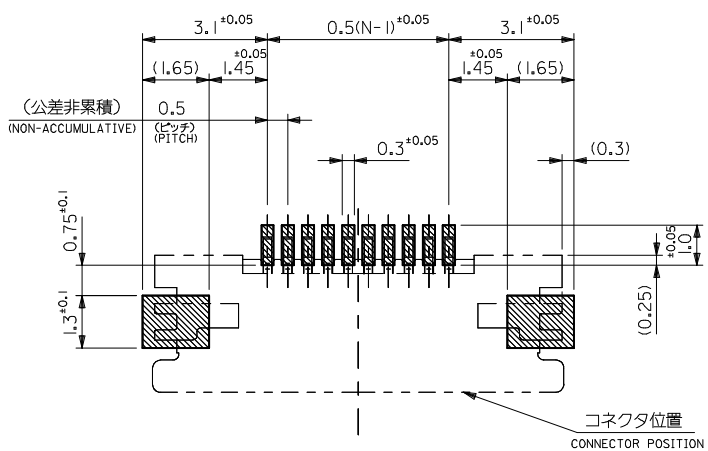
SECT. J-J
SCALE 20:1



0.28 ^{+0.03}	13.65	17	12.5	18.2	54550-2633	26	
	12.65	16	11.5	17.2	54550-2433	24	
	11.65	15	10.5	16.2	54550-2233	22	
	11.15	14.5	10	15.7	54550-2133	21	
	10.65	14	9.5	15.2	54550-2033	20	
	10.15	13.5	9	14.7	54550-1933	19	
	9.65	13	8.5	14.2	54550-1833	18	
	9.15	12.5	8	13.7	54550-1733	17	
	8.65	12	7.5	13.2	54550-1633	16	
	8.15	11.5	7	12.7	54550-1533	15	
	0.3 ^{+0.03}	7.65	11	6.5	12.2	54550-1433	14
		7.15	10.5	6	11.7	54550-1333	13
		6.65	10	5.5	11.2	54550-1233	12
		6.15	9.5	5	10.7	54550-1133	11
5.65		9	4.5	10.2	54550-1033	10	
5.15	8.5	4	9.7	54550-0933	9		
4.65	8	3.5	9.2	54550-0833	8		
4.15	7.5	3	8.7	54550-0733	7		
3.65	7	2.5	8.2	54550-0633	6		
3.15	6.5	2	7.7	54550-0533	5		
2.65	6.0	1.5	7.2	54550-0433	4		

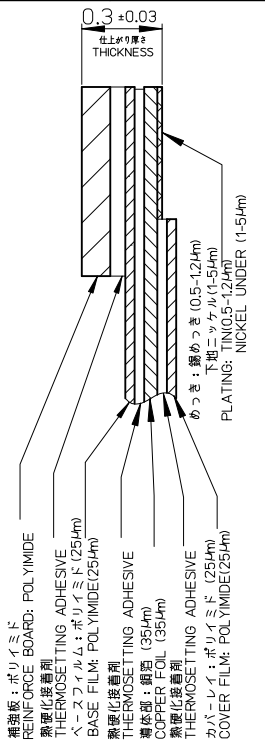
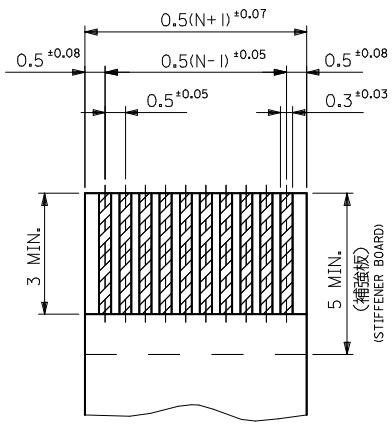
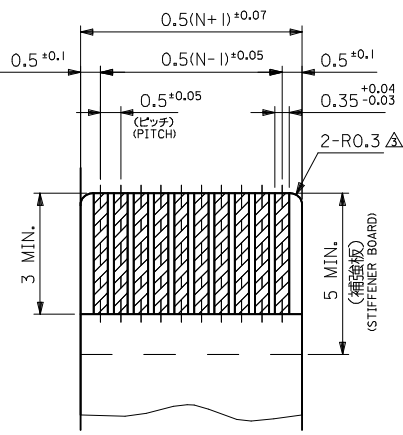
THICKNESS OF FPC: D, C, B, A
EMBOSSED TAPE
ORDER No. オ-ダ-番
種数 Ck†
CONNECTOR SERIES NO. : 54550-**22

REVISED EC NO: J2013-1168 DRM:NASANUMA 2013/04/15 CHKD:KATAHASHI 2013/04/16 APPR:KMORIKAWA 2013/04/25	DESCRIPTION REV	GENERAL TOLERANCES (UNLESS SPECIFIED)		DIMENSION STYLE MM ONLY		SCALE ---	DESIGN UNITS METRIC	THIRD ANGLE PROJECTION		
		10 UNDER	±0.2	DRAWN BY NKONDO	DATE 2012/09/13	TITLE 0.5MM FPC CONN ZIF R/A HOUSING ASSY (UPPER CONTACT)				
		10 OVER 30 UNDER	±0.25	CHECKED BY KATAHASHI	DATE 2012/09/13					
		30 OVER	±0.3	APPROVED BY KMORIKAWA	DATE 2013/03/15					
ANGULAR ±3 °		DRAFT WHERE APPLICABLE MUST REMAIN WITHIN DIMENSIONS		MATERIAL NO. SEE CHART		DOCUMENT NO. SD-54550-075		SHEET NO. 1 OF 2		
THIS DRAWING CONTAINS INFORMATION THAT IS PROPRIETARY TO MOLEX INCORPORATED AND SHOULD NOT BE USED WITHOUT WRITTEN PERMISSION										



推奨基板レイアウト
RECOMMENDED P.C. BOARD
PATTERN DIMENSION
(マウント面)
(MOUNTING SIDE)

マスク厚 : 100 μm
マスク開口率 : 100%
SCREEN THICKNESS : 100 μm
SCREEN OPEN TATIO : 100%



FPC構成推奨仕様
STRUCTURE OF FPC

注記 NOTES

1. 使用材料 MATERIAL
- ハウジング : 液晶ホリマー (LOP)、ナチュラル(白色)、ガラス充填、UL94V-0
LIQUID CRYSTAL POLYMER, NATURAL(WHITE), GLASS FILLED, UL-94V0
- アクチュエータ : ホリフェニレンサルファイド(PPS)、ナチュラル(茶色)ガラス充填、UL94V-0
POLYPHENYLENE SULFIDE, NATURAL(BROWN), GLASS FILLED, UL-94V0
- ターミナル : リン青銅 (t=0.2)
TERMINAL PHOSPHOR BRONZE (t=0.2)
- 金具 : リン青銅 (t=0.2)、FITTING NAIL PHOSPHOR BRONZE (t=0.2)
2. めっき仕様 PLATING
ターミナル TERMINAL
銅銀ビスマメッキ(1.0 μm以上)
下地: ニッケルメッキ(1.0 μm以上)
TIN SILVER BISMUTH PLATING (1.0 MICROMETER MINIMUM)
UNDER PLATE : NICKEL PLATING (1.0 MICROMETER MINIMUM)
- 金具 FITTING NAIL
銅メッキ(1.0 μm以上)
下地: ニッケルメッキ(1.0 μm以上)
TIN PLATING
TIN PLATING (1.0 MICROMETER MINIMUM)
UNDER PLATE : NICKEL PLATING (1.0 MICROMETER MINIMUM)
- △ RO.3はFPCの導体部にかからないこと
RO.3 MUST NOT BE OVERLAPED TO PATTERN OF FPC.
4. エンボステープ梱包時は、アクチュエータがロックした状態とする。
IN THE PACKAGE, ACTUATOR OF PART NO.54550-**-22 SHOULD BE LOCKED.
- △ ソルダータール半田付け面のズレ量、及び金具半田付け面のズレ量は、基準面 Z に対し上方向 OMAX.、下方向 0.15MAX. とし、相互のバラツキ量は0.1MAX. とする。
MISALIGNMENT OF SOLDER TAILS AND FITTING NAILS FROM UPPER DIRECTION: 0 MAX., LOWER DIRECTION: 0.15 MAX. OFFSET BETWEEN UPPER AND LOWER 0.1 MAX.
- △ 偶数種に適用。
APPLY FOR EVEN CIRCUIT.
- △ パターンはくり止め用金具 FITTING NAIL FOR PREVENTION OF PEELING OF P.C.B. PATTERN.
8. ELV及びRoHS適合品
ELV AND RoHS COMPLIANT

FPC/FFCについて ABOUT FPC/FFC

打ち抜き方向は導体側から補強板側を推奨します。
導体部については軌路幅35 μmまたは50 μmを推奨します。
RECOMMENDED PUNCHING DIRECTION: FROM CONDUCTOR SIDE TO STIFFENER SIDE
RECOMMENDED CONDUCTOR SPEC: SOFT COPPER FOIL
RECOMMENDED CONDUCTOR THICKNESS: 35 MICROMETER OR 50 MICROMETER

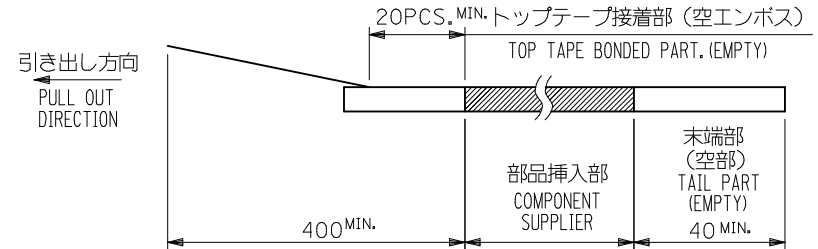
FPCについて ABOUT FPC

補強フィルム材質はポリイミドを推奨します。ベースフィルムは25 μmを推奨します。
接着剤は熱硬化接着剤を推奨します。
尚、接着剤の接点部への付着は導通不良の原因になりますので、染み出しが無い様、お願い致します。
RECOMMENDED STIFFENER MATERIAL: POLYIMIDE
RECOMMENDED BASE FILM THICKNESS: 25 MICROMETER
RECOMMENDED ADHESIVE: THERMOSETTING ADHESIVE
NOTE: PLEASE PUT APPROPRIATE AMOUNT OF ADHESIVE ON ADHEREND BECAUSE THERE IS A POSSIBILITY THAT THE EXTRA ADHESIVE CAUSES THE DEFECT IN ELECTRICAL CONTINUITY.

REVISED EC NO: J2013-1168 DRWN: NKONDO 2013/03/15 CHKD: KTAKAHASHI 2013/04/16 APPR: KMORIKAWA 2013/04/25	DESCRIPTION	GENERAL TOLERANCES (UNLESS SPECIFIED)		DIMENSION STYLE	SCALE	54550-**-22	MODEL NO.
				MM ONLY	---	DESIGN UNITS	THIRD ANGLE PROJECTION
		10 UNDER	±0.2	DRAWN BY	DATE	TITLE	
		10 OVER 30 UNDER	±0.25	NKONDO	2012/09/13	0.5MM FPC CONN ZIF R/A HOUSING ASSY (UPPER CONTACT)	
	30 OVER	±0.3	CHECKED BY	DATE			
			KTAKAHASHI	2012/09/13			
			APPROVED BY	DATE			
			KMORIKAWA	2013/03/15			
			MATERIAL NO.		SEE CHART	DOCUMENT NO.	SHEET NO.
						SD-54550-075	2 OF 2
			ANGULAR ±3 °				
			DRAFT WHERE APPLICABLE MUST REMAIN WITHIN DIMENSIONS				
				SIZE A3	THIS DRAWING CONTAINS INFORMATION THAT IS PROPRIETARY TO MOLEX INCORPORATED AND SHOULD NOT BE USED WITHOUT WRITTEN PERMISSION		

NOTES

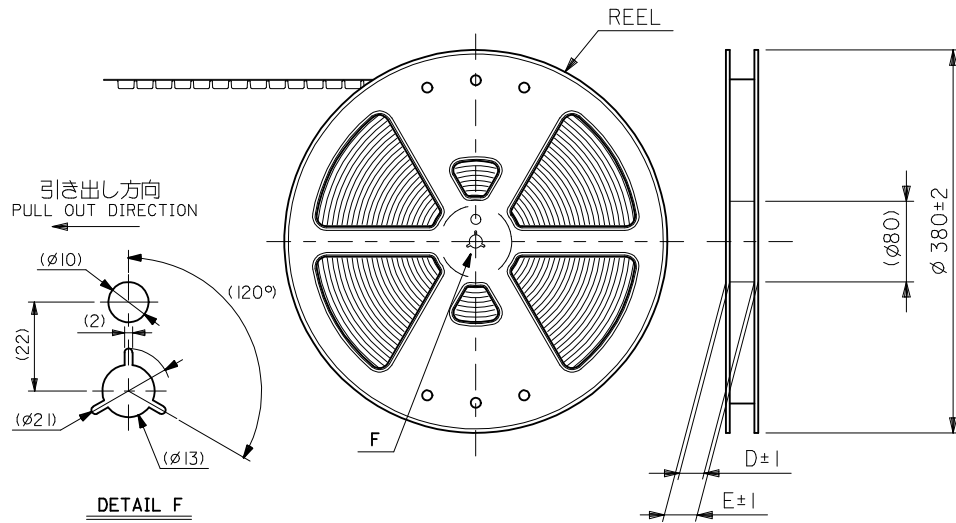
- 製品詳細寸法については図面 54550-**22 を参照下さい。
RE DETAILED DIMENSION, SEE 54550-**22
- 梱包数量：3000個/リール
NUMBER OF CONNECTORS : 3000PCS/REEL
- リードテープ長さ LEAD TAPE LENGTH



- カバートープの剥離強度については、IEC60286-3に準拠
Cover tape peel force is defined by IEC60286-3.

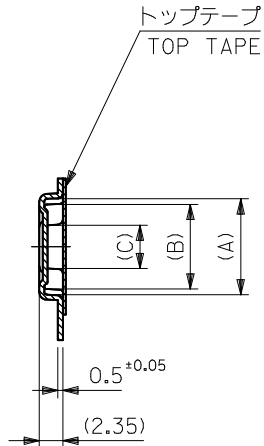
- 材料(MATERIAL)
キャリアテープ(CARRIER TAPE)：ポリプロピレン(POLYPROPYLENE)
トッパテープ(TOPTAPE)：PET, PE, PEF
リール(REEL)：ポリスチレン (P.S) <リサイクル材を含む>
POLYSTYRENE(PS) <RECYCLE MATERIAL CONTAINED>

- ELV及びRoHS適合品
ELV AND RoHS COMPLIANT

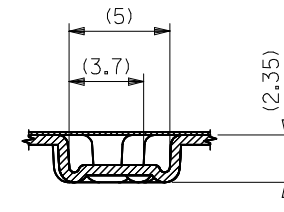
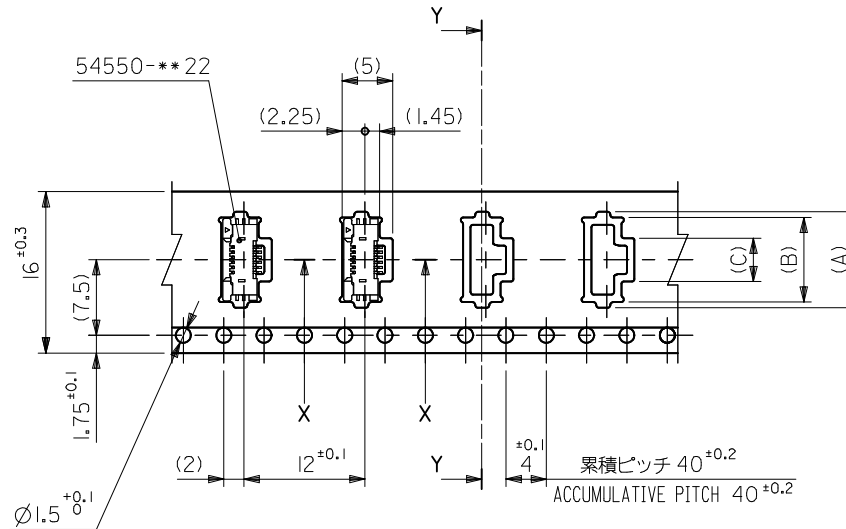


RELEASED EC NO: J2013-1014 DRWN: NKONDO 2012/09/13 CHKD: TAKAHASHI 2012/09/13 APPR: KMORIKAWA 2013/03/15	DESCRIPTION REV: 0	GENERAL TOLERANCES (UNLESS SPECIFIED)		DIMENSION STYLE MM ONLY		SCALE ---	54550-**33	MODEL No.	
		10 UNDER ±0.2		DRAWN BY NKONDO DATE 2012/09/13		TITLE	EMBOSS TAPE PACKAGED FOR 0.5MM FPC CONN ZIF R/A HOUSING ASSY		
		10 OVER 30 UNDER ±0.25		CHECKED BY TAKAHASHI DATE 2012/09/13					
		30 OVER ±0.3		APPROVED BY KMORIKAWA DATE 2013/03/15					
ANGULAR ±3 °		DRAFT WHERE APPLICABLE MUST REMAIN WITHIN DIMENSIONS		SEE CHART		SD-54550-076	1 OF 4		
				THIS DRAWING CONTAINS INFORMATION THAT IS PROPRIETARY TO MOLEX INCORPORATED AND SHOULD NOT BE USED WITHOUT WRITTEN PERMISSION					

引き出し方向
PULL OUT DIRECTION



SECT. Y-Y



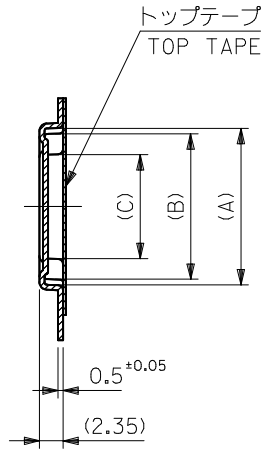
SECT. X-X

16mm幅キャリアテープ
16mm WIDTH CARRIER TAPE

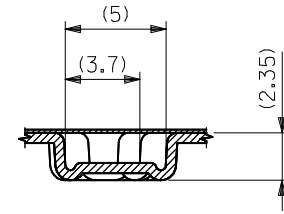
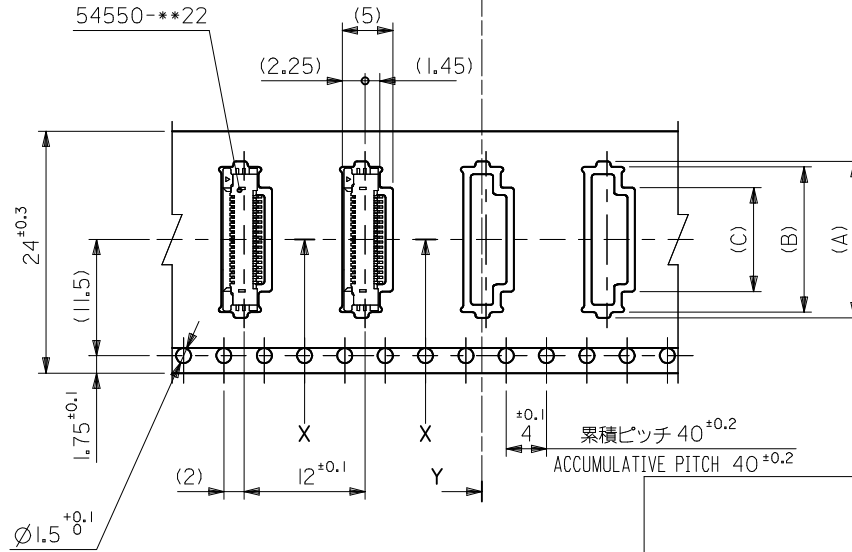
16	21.4	17.4	4.3	8.4	9.5	54550-0633	6
			3.8	7.9	9	54550-0533	5
			3.3	7.4	8.5	54550-0433	4
キャリアテープ幅 CARRIER TAPE WIDTH	E	D	(C)	(B)	(A)	製品番号 MATERIAL No.	極数 Ckt
						54550-***33	MODEL No.

RELEASED EC NO: J2013-1014 DRW: NKONDO 2012/09/13 CHK: KTAKAHASHI 2012/09/13 APPR: KMORIKAWA 2013/03/15	DESCRIPTION REV 0	GENERAL TOLERANCES (UNLESS SPECIFIED)		DIMENSION STYLE MM ONLY		SCALE ---	DESIGN UNITS METRIC	THIRD ANGLE PROJECTION		
		10 UNDER	± 0.2	DRAWN BY NKONDO	DATE 2012/09/13	TITLE EMBOSS TAPE PACKAGED FOR 0.5MM FPC CONN ZIF R/A HOUSING ASSY				
		10 OVER 30 UNDER	± 0.25	CHECKED BY KTAKAHASHI	DATE 2012/09/13	molex DOCUMENT NO. SD-54550-076 SHEET NO. 2 OF 4				
		30 OVER	± 0.3	APPROVED BY KMORIKAWA	DATE 2013/03/15					
ANGULAR ± 3 °		DRAFT WHERE APPLICABLE MUST REMAIN WITHIN DIMENSIONS		MATERIAL NO. SEE CHART						
THIS DRAWING CONTAINS INFORMATION THAT IS PROPRIETARY TO MOLEX INCORPORATED AND SHOULD NOT BE USED WITHOUT WRITTEN PERMISSION										

引き出し方向
PULL OUT DIRECTION



SECT. Y-Y



SECT. X-X

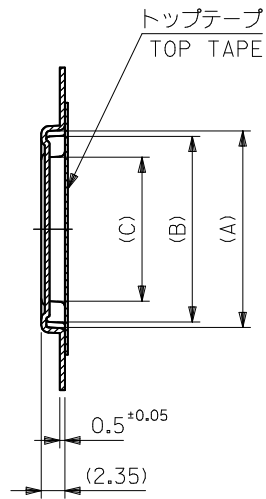
24mm幅キャリアテープ
24mm WIDTH CARRIER TAPE

24	29.4	25.4	12.3	16.4	17.5	54550-2233	22
			11.8	15.9	17	54550-2133	21
			11.3	15.4	16.5	54550-2033	20
			10.8	14.9	16	54550-1933	19
			10.3	14.4	15.5	54550-1833	18
			9.8	13.9	15	54550-1733	17
			9.3	13.4	14.5	54550-1633	16
			8.8	12.9	14	54550-1533	15
			8.3	12.4	13.5	54550-1433	14
			7.8	11.9	13	54550-1333	13
			7.3	11.4	12.5	54550-1233	12
			6.8	10.9	12	54550-1133	11
			6.3	10.4	11.5	54550-1033	10
			5.8	9.9	11	54550-0933	9
			5.3	9.4	10.5	54550-0833	8
4.8	8.9	10	54550-0733	7			
キャリアテープ幅 CARRIER TAPE WIDTH	E	D	(C)	(B)	(A)	製品番号 MATERIAL No.	極数 Ck†

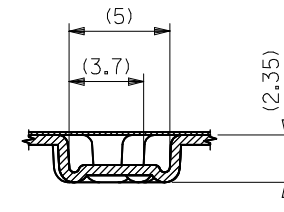
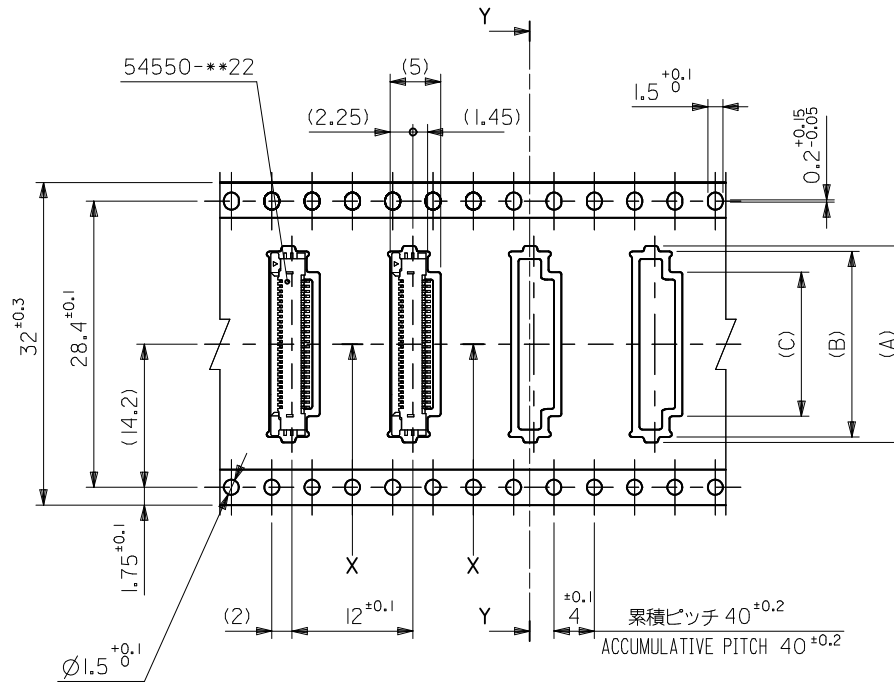
54550-**33 MODEL No.

RELEASED EC NO.: J2013-1014 DRWN: NKONDO 2012/09/13 CHKD: KTAKAHASHI 2012/09/13 APPR: KMORIKAWA 2013/03/15	GENERAL TOLERANCES (UNLESS SPECIFIED)		DIMENSION STYLE MM ONLY		SCALE ---	DESIGN UNITS METRIC	THIRD ANGLE PROJECTION
	10 UNDER	±0.2	DRAWN BY NKONDO	DATE 2012/09/13	TITLE EMBOSS TAPE PACKAGED FOR 0.5MM FPC CONN ZIF R/A HOUSING ASSY molex DOCUMENT NO. SD-54550-076 SHEET NO. 3 OF 4		
	10 OVER 30 UNDER	±0.25	CHECKED BY KTAKAHASHI	DATE 2012/09/13			
	30 OVER	±0.3	APPROVED BY KMORIKAWA	DATE 2013/03/15			
	ANGULAR	±3 °	MATERIAL NO.	SEE CHART			
DRAFT WHERE APPLICABLE MUST REMAIN WITHIN DIMENSIONS		SIZE A3	THIS DRAWING CONTAINS INFORMATION THAT IS PROPRIETARY TO MOLEX INCORPORATED AND SHOULD NOT BE USED WITHOUT WRITTEN PERMISSION				

引き出し方向
PULL OUT DIRECTION



SECT. Y-Y



SECT. X-X

32mm幅キャリアテープ
32mm WIDTH CARRIER TAPE

32	37.4	33.4	14.3	18.4	19.5	54550-2633	26
			13.3	17.4	18.5	54550-2433	24
キャリアテープ幅 CARRIER TAPE WIDTH	E	D	(C)	(B)	(A)	製品番号 MATERIAL No.	極数 Ckt
						54550-***33	MODEL No.

RELEASED EC NO.: J2013-1014 2012/09/13 DRWN: NKONDO 2012/09/13 CHKD: TAKAHASHI 2013/03/15 APPR: KMORIKAWA	DESCRIPTION REV: 0	GENERAL TOLERANCES (UNLESS SPECIFIED)		DIMENSION STYLE MM ONLY		SCALE ---		DESIGN UNITS METRIC		THIRD ANGLE PROJECTION	
		10 UNDER	±0.2	DRAWN BY	DATE	TITLE					
		10 OVER 30 UNDER	±0.25	CHKD BY	DATE	EMBOSS TAPE PACKAGED FOR 0.5MM FPC CONN ZIF R/A HOUSING ASSY molex					
		30 OVER	±0.3	APPROVED BY	DATE						
ANGULAR ±3 °		DRAFT WHERE APPLICABLE MUST REMAIN WITHIN DIMENSIONS		MATERIAL NO.		DOCUMENT NO.		SHEET NO.			
				SEE CHART		SD-54550-076		4 OF 4			
THIS DRAWING CONTAINS INFORMATION THAT IS PROPRIETARY TO MOLEX INCORPORATED AND SHOULD NOT BE USED WITHOUT WRITTEN PERMISSION											