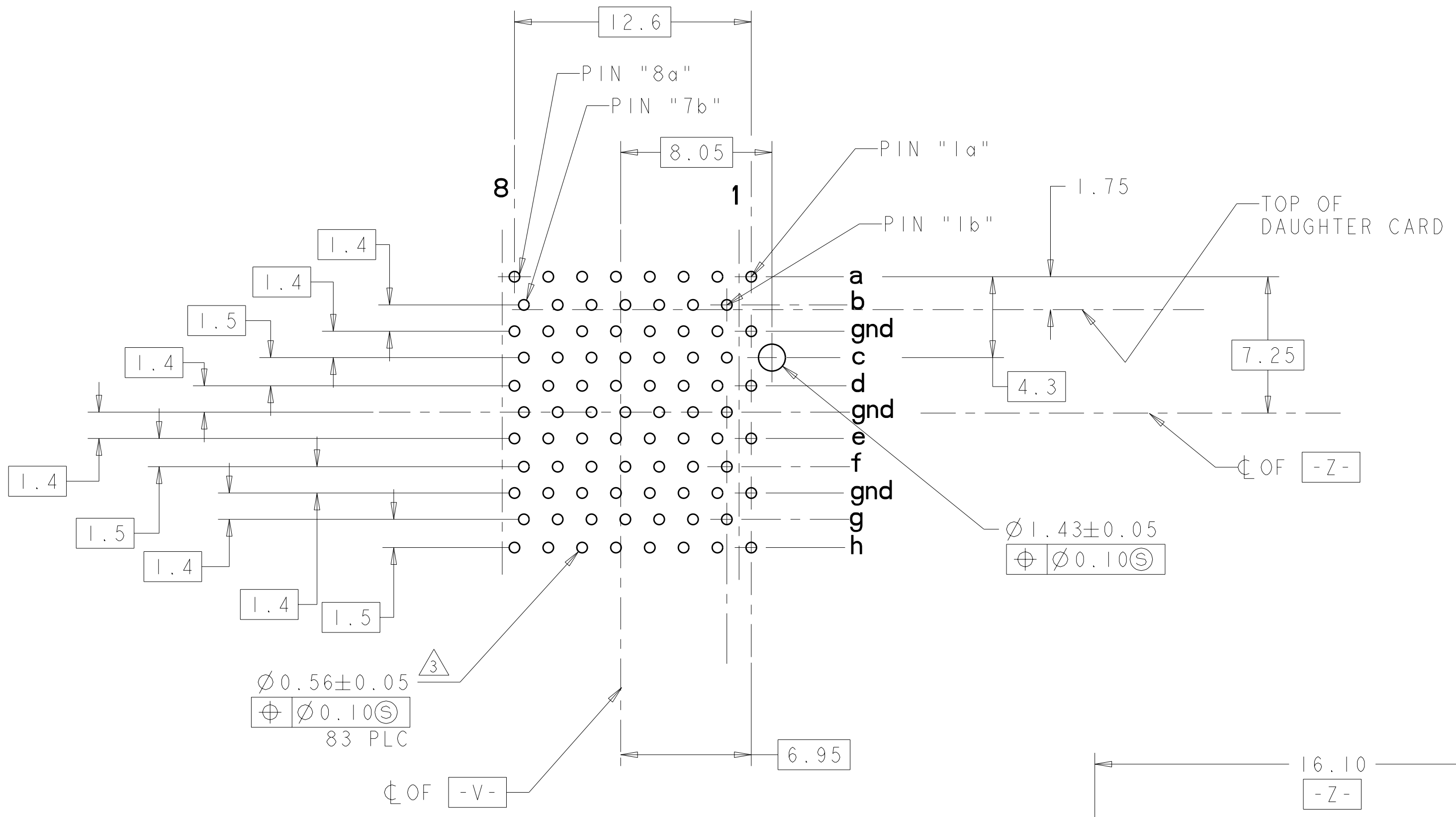
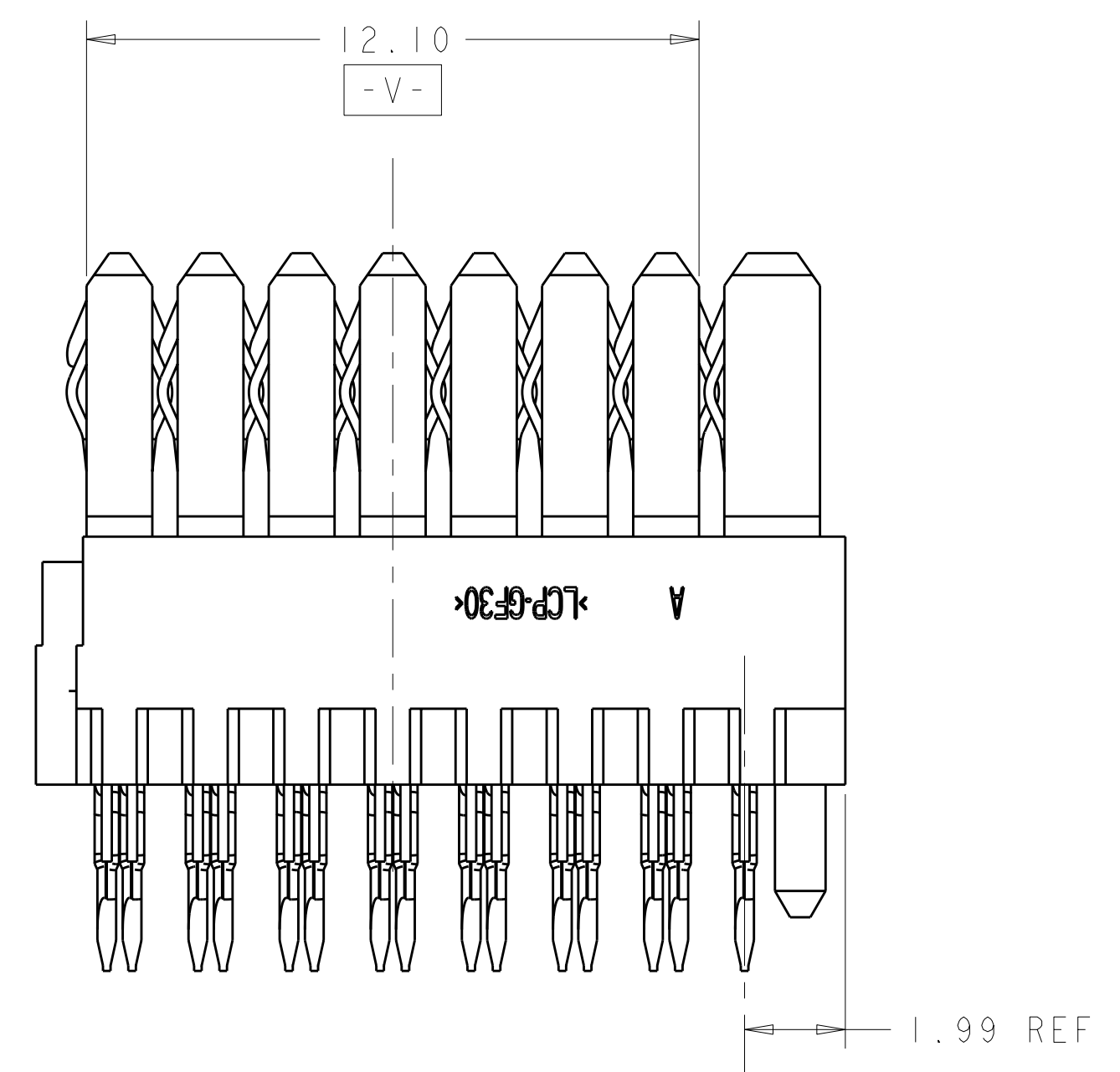
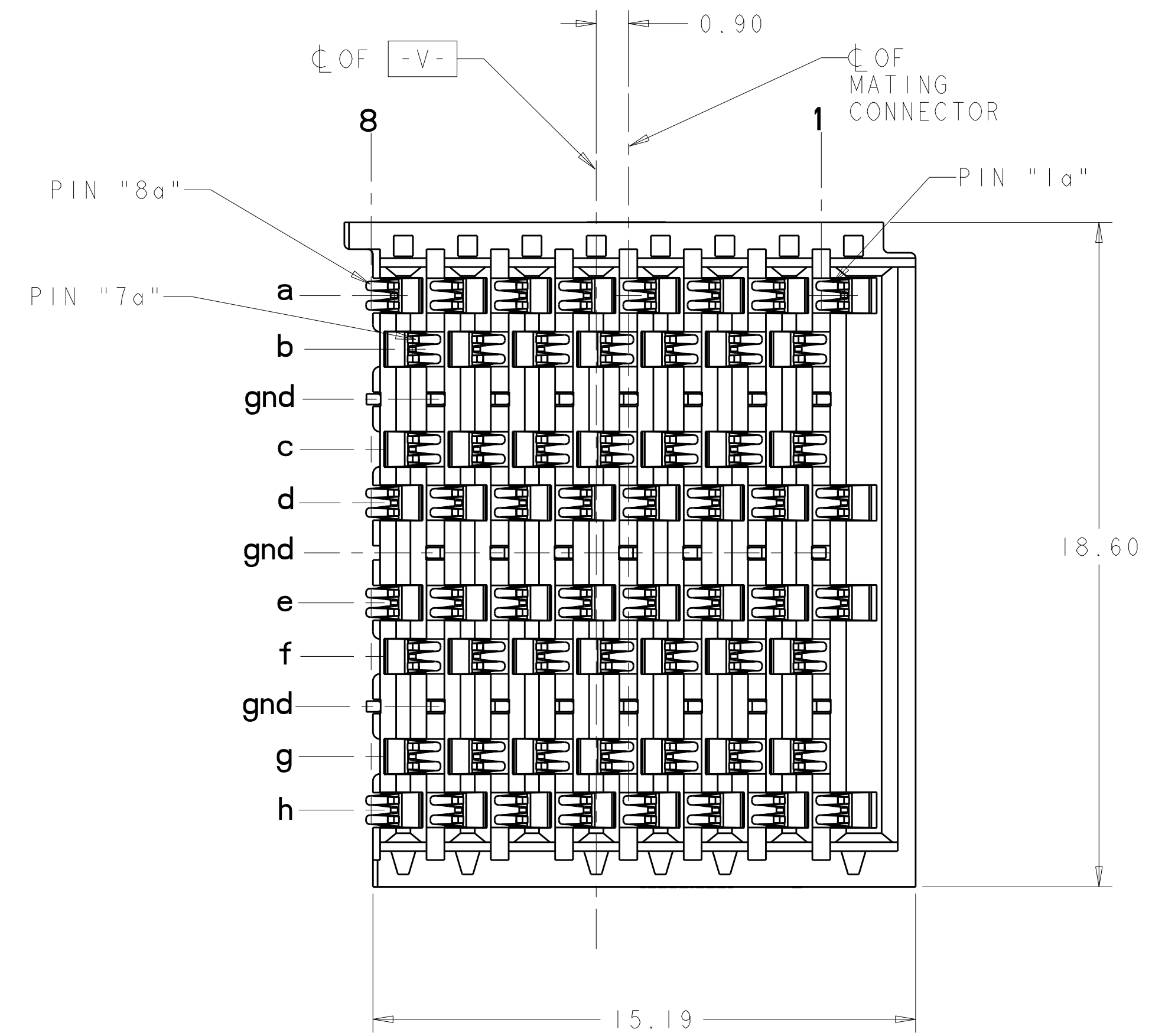
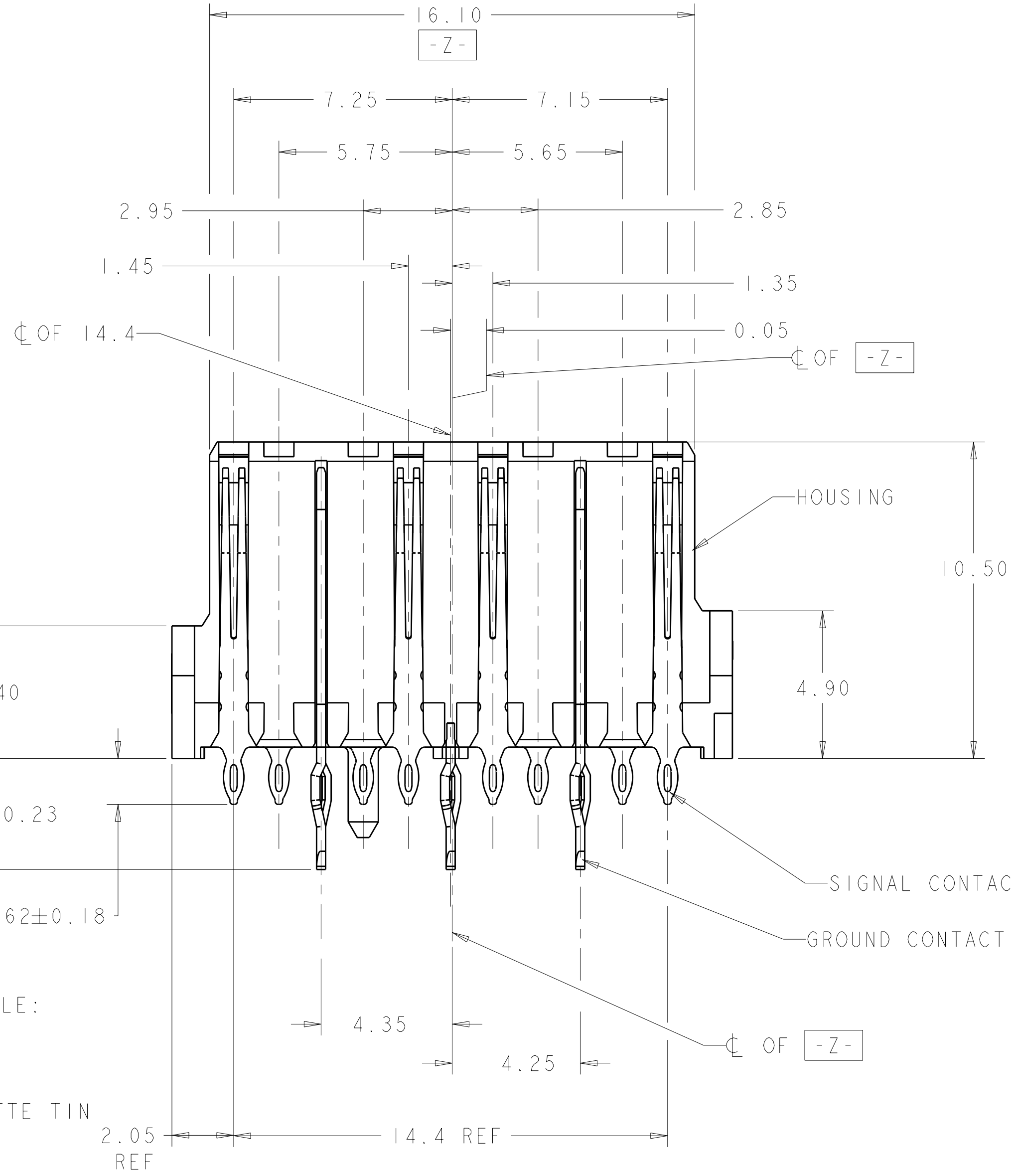


| LOC | | DIST | | REVISIONS | | | |
|-----|----|------|-----|---------------------------|-----------|-----|------|
| AD | 00 | P | LT# | DESCRIPTION | DATE | DWN | APVD |
| | | C | | REVISED PER ECO-11-025619 | 21MAR2012 | KH | AS |



PC BOARD FOOTPRINT
VIEWED FROM CONNECTOR SIDE
SCALE 5:1



- △ HOUSING: LCP, UL94V-0, BLACK. CONTACT: PHOSPHOR BRONZE.
- △ 1.27µm GOLD PER ASTM B 488 IN CONTACT AREA, 1.27µm MIN TIN-LEAD ON PCB TAIL, OVER 1.27µm MIN NICKEL PER SAE AMS-QQ-N-290 OVER ALL.
- △ MANUFACTURING TOLERANCE FOR Ø0.56 ± 0.05 DIAMETER FINISHED HOLE:
DRILLED HOLE: Ø0.65 ± 0.02
COPPER PLATING: 0.050 - 0.025
TIN-LEAD PLATING: 0.0124 - 0.0038.
- △ 1.27 µm GOLD PER ASTM B 488 IN CONTACT AREA, 1.27 µm MIN MATTE TIN PER ASTM B 545 ON PCB TAIL, OVER 3.81 µm MIN NICKEL PER SAE AMS-QQ-N-290 OVER ALL.
- △ MANUFACTURING TOLERANCE FOR A Ø 0.575 ± 0.045 FINISHED HOLE WITHOUT TIN LEAD PLATING:
DRILLED HOLE: Ø0.65 ± 0.02
COPPER PLATING: 0.025 - 0.050

| | | |
|--------------------------|-----|-----------|
| △ 4 | △ 5 | 1410226-2 |
| △ 2 | △ 3 | 1410226-1 |
| CONTACT TAIL/HOLE FINISH | | PART NO |

THIS DRAWING IS A CONTROLLED DOCUMENT.

| | | | |
|-------------|--|--|-------------------------------|
| DIMENSIONS: | TOLERANCES UNLESS OTHERWISE SPECIFIED: | DWN: B. VAN SCOY | 01OCT2001 |
| mm | 0 PLC ±0.5 | CHK: N. REESER | 01OCT2001 |
| | 1 PLC ±0.13 | APVD: D. DEBRAUGH | 01OCT2001 |
| | 2 PLC ±0.13 | NAME: VERTICAL RECEPTACLE ASSEMBLY, LEFT END, HALF, 20.3 mm, TIER-1, BACKPLANE CONNECTOR | |
| | 3 PLC ±0.13 | PRODUCT SPEC: 108-2072 | |
| | 4 PLC ±0.13 | APPLICATION SPEC: 114-13056 | |
| | ANGLES ±1° | SIZE: CAGE CODE DRAWING NO: A100779 | RESTRICTED TO: C |
| MATERIAL: | FINISH: | WEIGHT: | |
| | | CUSTOMER DRAWING | SCALE: 8:1 SHEET 1 OF 1 REV C |