

Flush-type connector - SACC-DSIV-M 8FS-3CON-L180-06 - 1524776

Please be informed that the data shown in this PDF Document is generated from our Online Catalog. Please find the complete data in the user's documentation. Our General Terms of Use for Downloads are valid (<http://download.phoenixcontact.com>)



Sensor/actuator flush-type socket, 3-pos., M8, rear/screw mounting with M8 thread, polarity protection, with straight solder connection, model with 6 mm long terminal pins



Key commercial data

Packing unit	1
Minimum order quantity	20
Catalog page	Page 41 (PC-2011)
GTIN	 4 017918 950101
Custom tariff number	85366990
Country of origin	GERMANY

Technical data

General data

Rated current at 40°C	4 A
Rated voltage	60 V
Number of positions	3
Volume resistance	≤ 3 mΩ
Insulation resistance	≥ 100 MΩ
Ambient temperature (operation)	-25 °C ... 85 °C

General characteristics

Standards/regulations	M8 plug-in connector IEC 61076-2-104
Coding	A - standard
Surge voltage category	II
Pollution degree	3
Degree of protection	IP67
Contact material	CuSn
Contact surface material	Au
Contact carrier material	PA 66

Flush-type connector - SACC-DSIV-M 8FS-3CON-L180-06 - 1524776

Technical data

General characteristics

Material, knurls	Nickel-plated brass
Sealing material	NBR
Mounting type	Rear mounting M8 x 1 With locking nut
Connection method	Solder pins
Status display	No

Classifications

eclass

eCl@ss 4.0	27140815
eCl@ss 4.1	27140815
eCl@ss 5.0	27143423
eCl@ss 5.1	27143423
eCl@ss 6.0	27143423
eCl@ss 7.0	27449001

etim

ETIM 2.0	EC001297
ETIM 3.0	EC002061
ETIM 4.0	EC002061

unspsc

UNSPSC 6.01	31251501
UNSPSC 7.0901	31251501
UNSPSC 11	31251501
UNSPSC 12.01	31251501
UNSPSC 13.2	31251501

Approvals

Approvals

Approvals

GOST

Ex Approvals

Approvals submitted

Flush-type connector - SACC-DSIV-M 8FS-3CON-L180-06 - 1524776

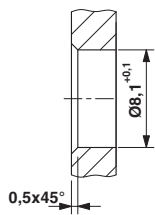
Approvals

Approval details

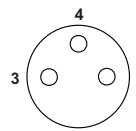


Drawings

Dimensioned drawing



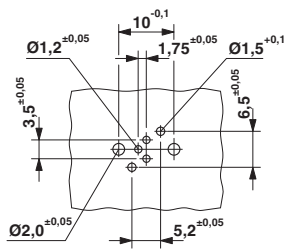
Schematic diagram



Pin assignment M8 socket, 3-pos., view female side

Mounting panel with feed-through hole

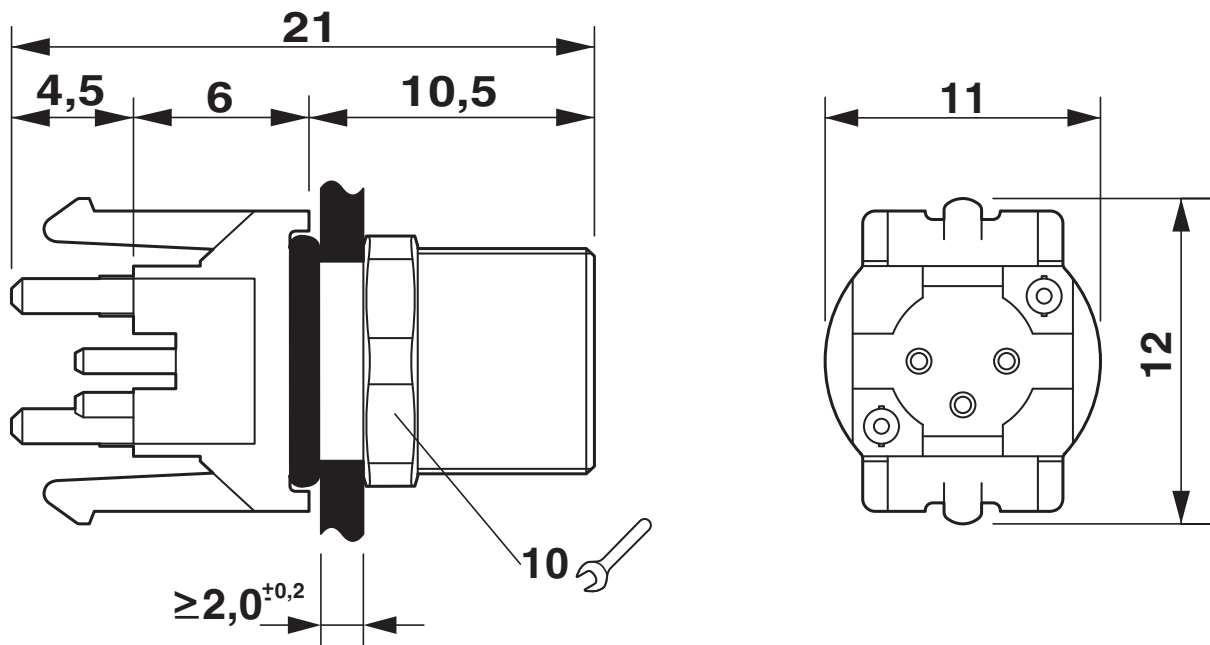
Drilling diagram



Drilling diagram

Flush-type connector - SACC-DSIV-M 8FS-3CON- L180-06 - 1524776

Dimensioned drawing





© Phoenix Contact 2012 - all rights reserved
<http://www.phoenixcontact.com>