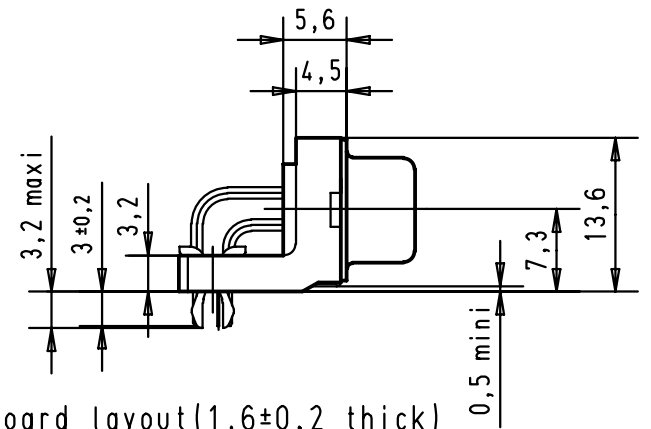
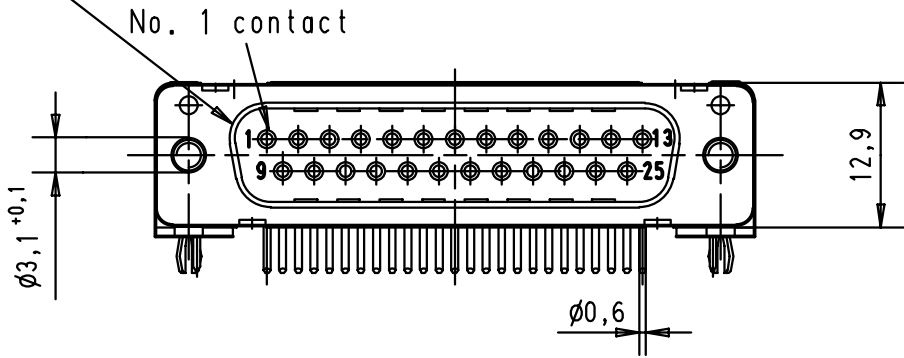
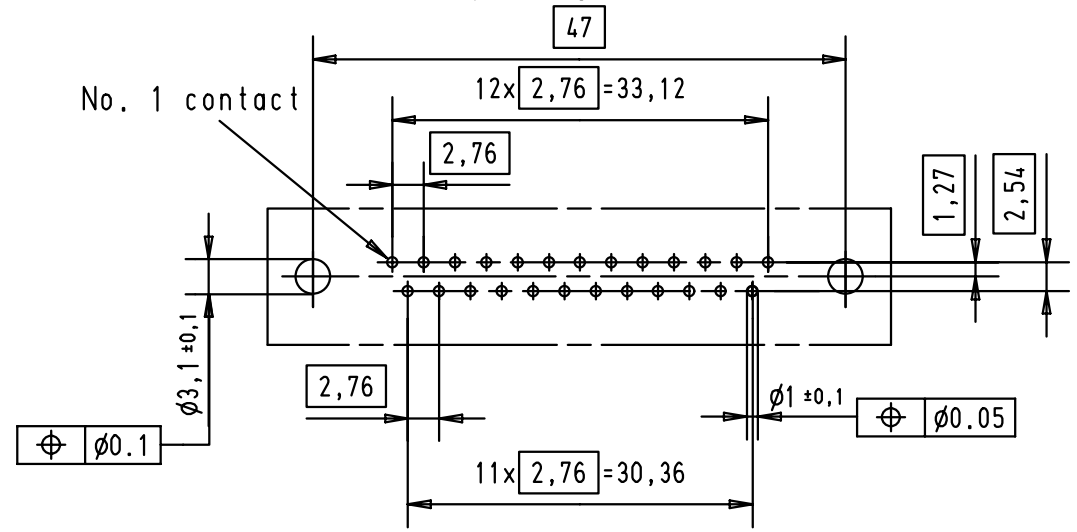
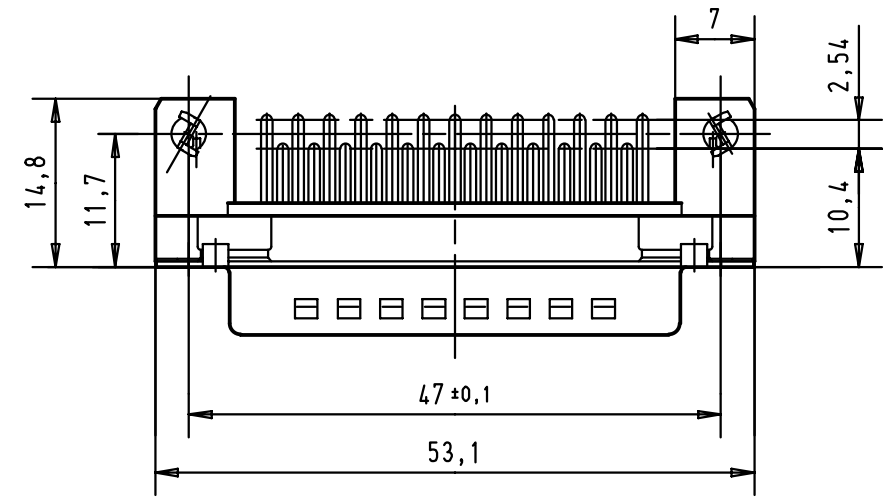


5 4 3 2 1

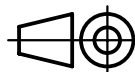

Mating face according to MIL-C-24308 / DIN 41 652 / CECC 75301-802



Printed board layout (1,6±0,2 thick)  
View component side  
(PCB plating = Tin)



Mounting force on Printed board : 25 - 80 N

A	09 66 362 6811	M3	2						 All Dim. in mm Orig. Size DIN A 4	D-Sub male standard 25 poles with solder pins,nuts, board lock and grounding pins	Maßstab/ Scale 1,5:1	
	09 66 362 7811	M3	3				Detail.	26-OCT-01				JB
	09 66 362 5811	M3	0,76 µm Au				Insp.					
	09 66 362 6812	4-40 UNC	2				Stand.					
	09 66 362 7812	4-40 UNC	3									
	09 66 362 5812	4-40 UNC	0,76 µm Au	29725	26-OCT-01	JB						
	Part number	nut thread	Performance level	Mod.	Dat.	Name	HARTING EURL F-95972 Paris			 TB 09 66 362 X81X Sub.	Blatt/ Page 1 /	