

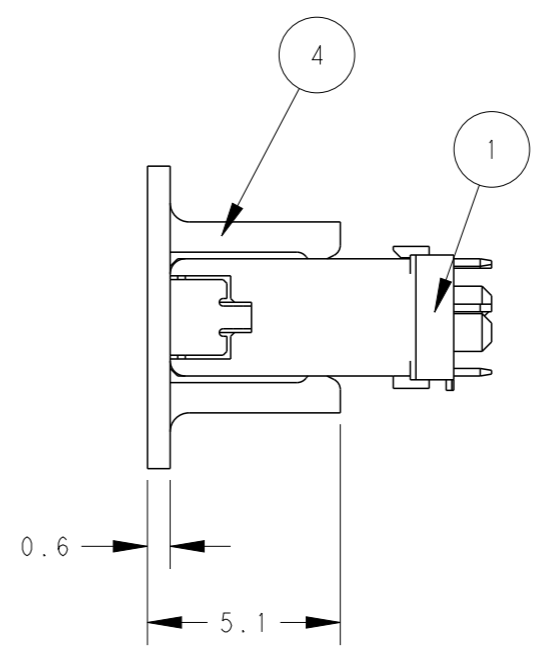
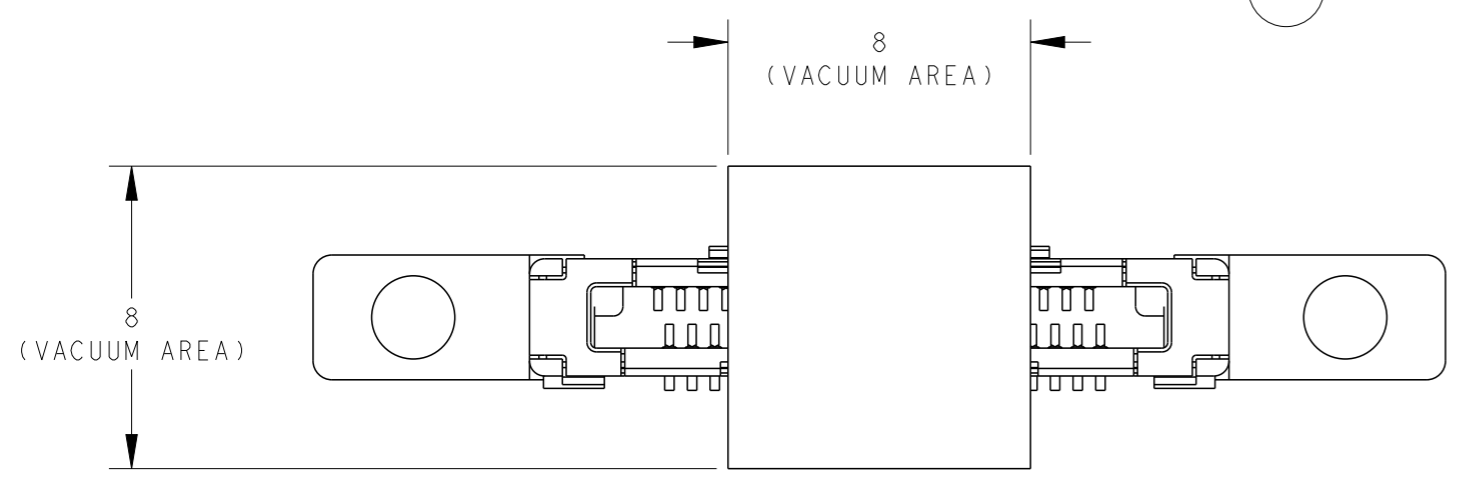
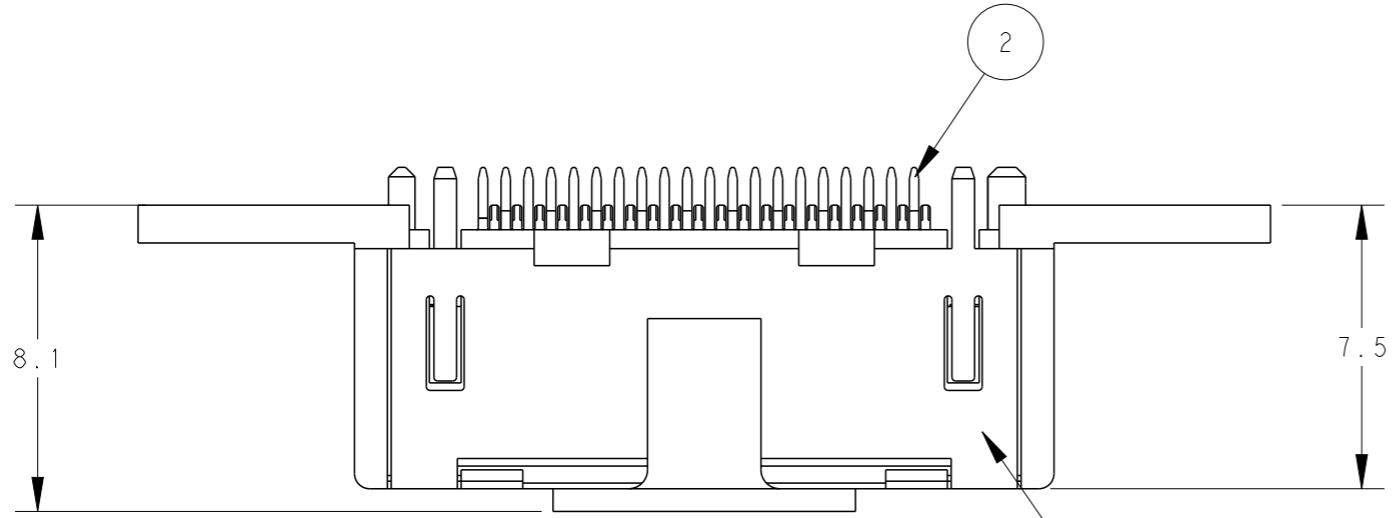
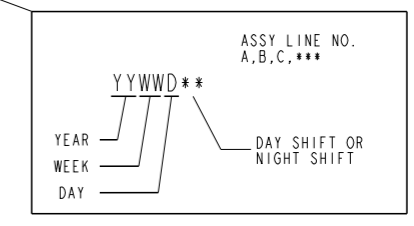
THIS DRAWING IS UNPUBLISHED. RELEASED FOR PUBLICATION 20
 © COPYRIGHT 20 BY - ALL RIGHTS RESERVED.

LOC	DIST	REVISIONS			
P	LTR	DESCRIPTION	DATE	DWN	APVD
	A	RELEASED	25NOV2011	T. K	H. K

WITH CAP CONDITION

2129367-1; AS SHOWN

- ① MATERIAL: HOUSING: THERMO-PLASTIC(UL94V-0,BLACK).
CONTACT: COPPER ALLOY.
SHELL: STAINLESS STEEL.
CAP: THERMO-PLASTIC(UL94V-0,BLACK).
- ② FINISH:
CONTACT: ALL OVER 2um MIN. Ni UNDER PLATING.
0.254um MIN. Au PLATING ON CONTACT AREA.
1~3um Tin PLATING ON TINE AREA.
SHELL: ALL OVER 1.3um MIN. Ni UNDER PLATING.
- 3. DATE CODE



Q'TY	NAME	ITEM
1	CAP	④
1	SHELL	③
40	CONTACT	②
1	HOUSING	①

THIS DRAWING IS A CONTROLLED DOCUMENT.

DWN	T. KUO	25NOV2011	 TE Connectivity	NAME PLUG ASSY, 0.6mm PITCH CHAMP DOCKING CONNECTOR, 40POS
CHK	V. PENG	25NOV2011		
APVD	H. KODAMA	25NOV2011		
PRODUCT SPEC	108-99033			
APPLICATION SPEC			SIZE	RESTRICTED TO
WEIGHT			A300779	C=2129367
CUSTOMER DRAWING			SCALE	SHEET
			1:1	1 OF 5
				REV
				A

DIMENSIONS:		TOLERANCES UNLESS OTHERWISE SPECIFIED:	
mm			
	0 PLC	±	
	1 PLC	±	±0.25
	2 PLC	±	±3°
	3 PLC	±	
	4 PLC	±	
	ANGLES	±	
MATERIAL	FINISH	①	②

THIS DRAWING IS UNPUBLISHED.

RELEASED FOR PUBLICATION

20

© COPYRIGHT 20 BY -

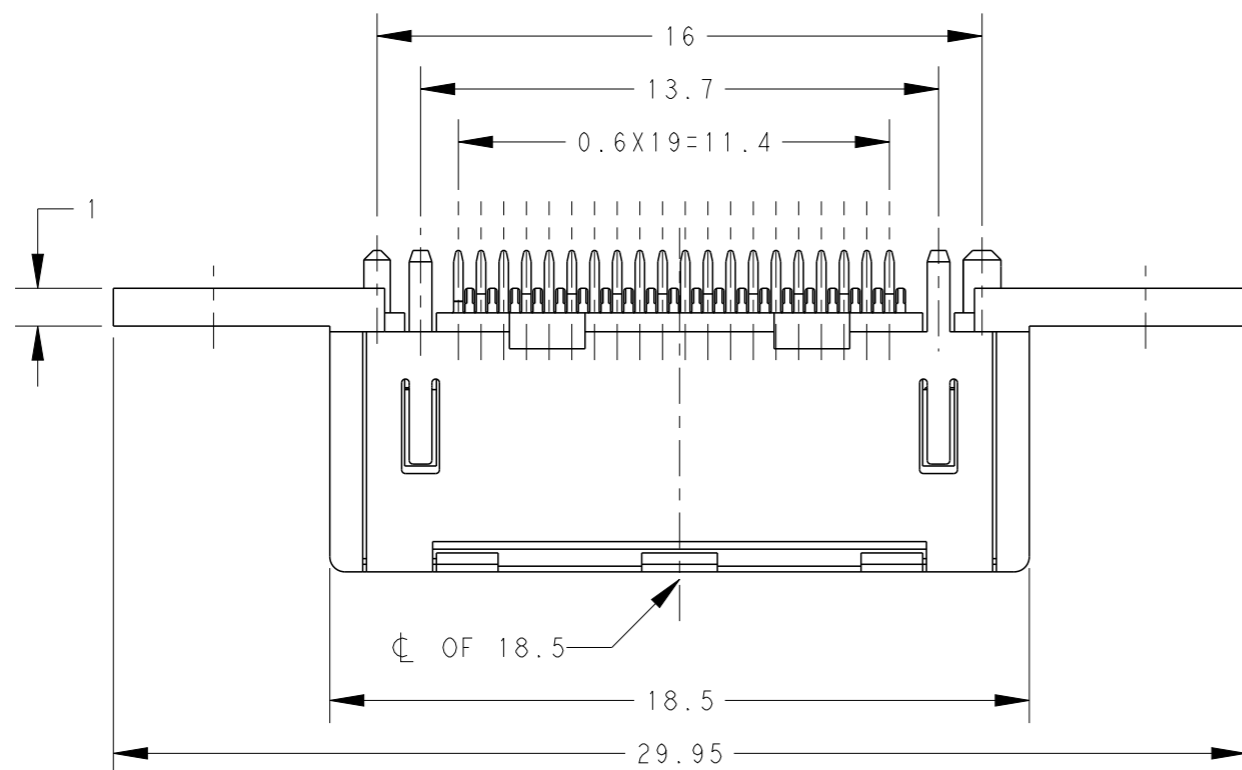
ALL RIGHTS RESERVED.

LOC
DW

DIST

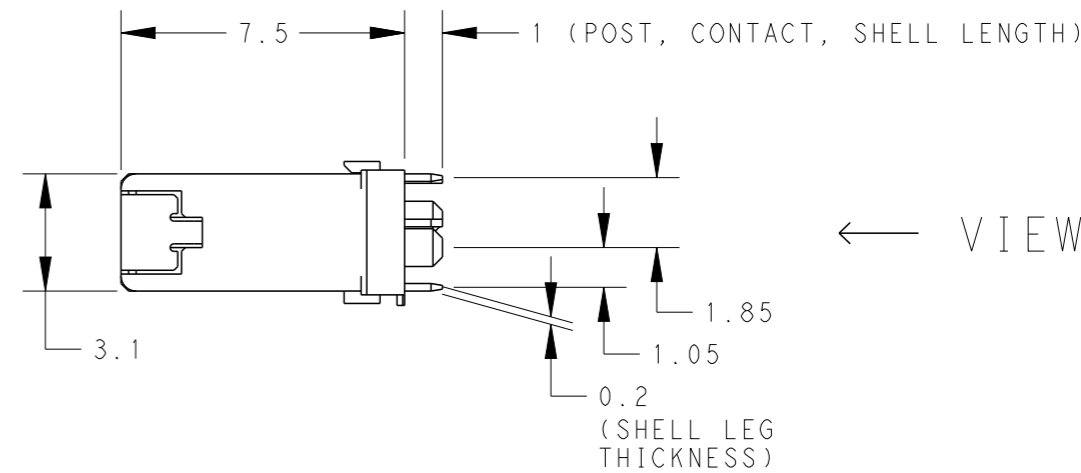
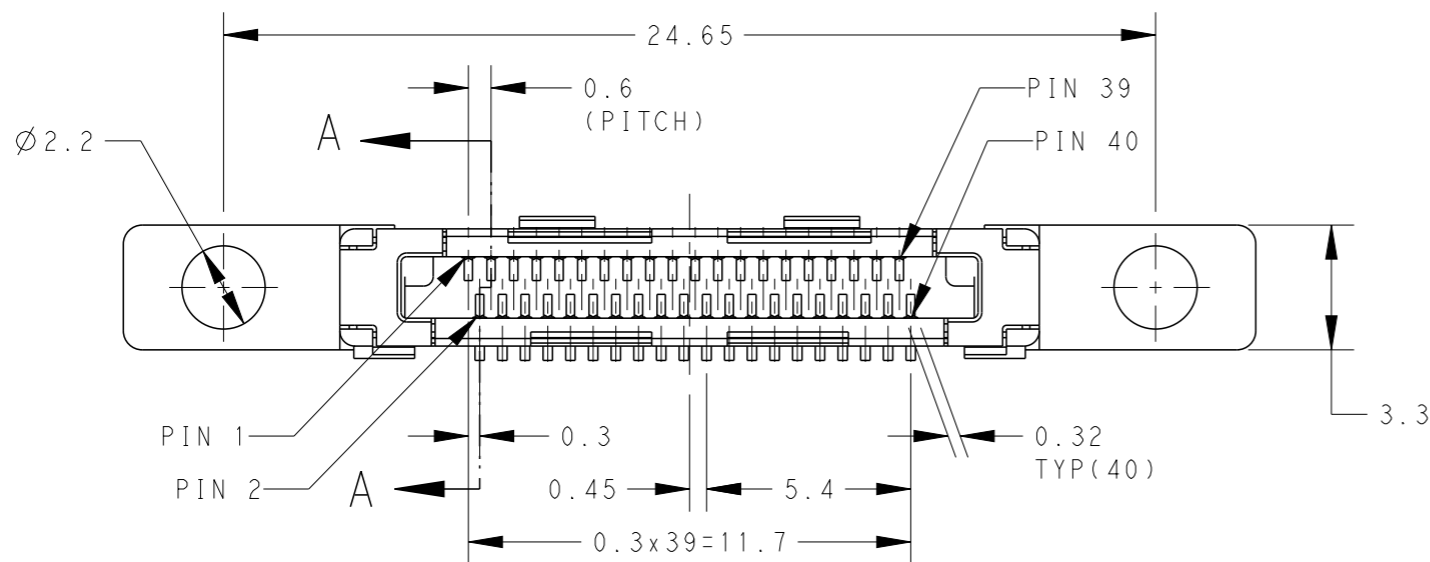
REVISIONS

P	LTR	DESCRIPTION	DATE	DWN	APVD
-	-	SEE SHEET 1	-	-	-



2129367-1; AS SHOWN

W/O CAP CONDITION

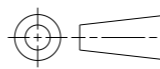


← VIEW C

↑ VIEW B

THIS DRAWING IS A CONTROLLED DOCUMENT.

DIMENSIONS:
mm



TOLERANCES UNLESS OTHERWISE SPECIFIED:

0 PLC	±	±0.25
1 PLC	±	±0.25
2 PLC	±	±0.25
3 PLC	±	±3°
4 PLC	±	±
ANGLES	±	±
FINISH	-	-

MATERIAL

DWN	-
CHK	-
APVD	-
PRODUCT SPEC	-
APPLICATION SPEC	-
WEIGHT	0.84g
CUSTOMER DRAWING	-

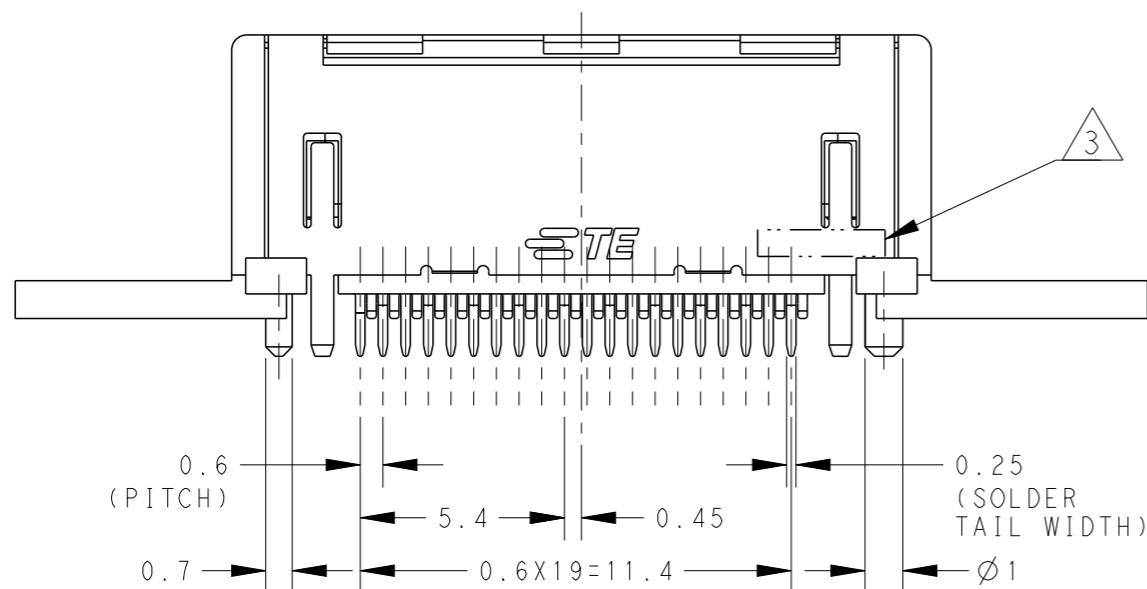
		TE Connectivity	
		NAME PLUG ASSY, 0.6mm PITCH CHAMP DOCKING CONNECTOR, 40POS	
SIZE	CAGE CODE	DRAWING NO	RESTRICTED TO
A3	00779	C-2129367	-
SCALE 5:1		SHEET 2 OF 5	REV A

LOC DW DIST

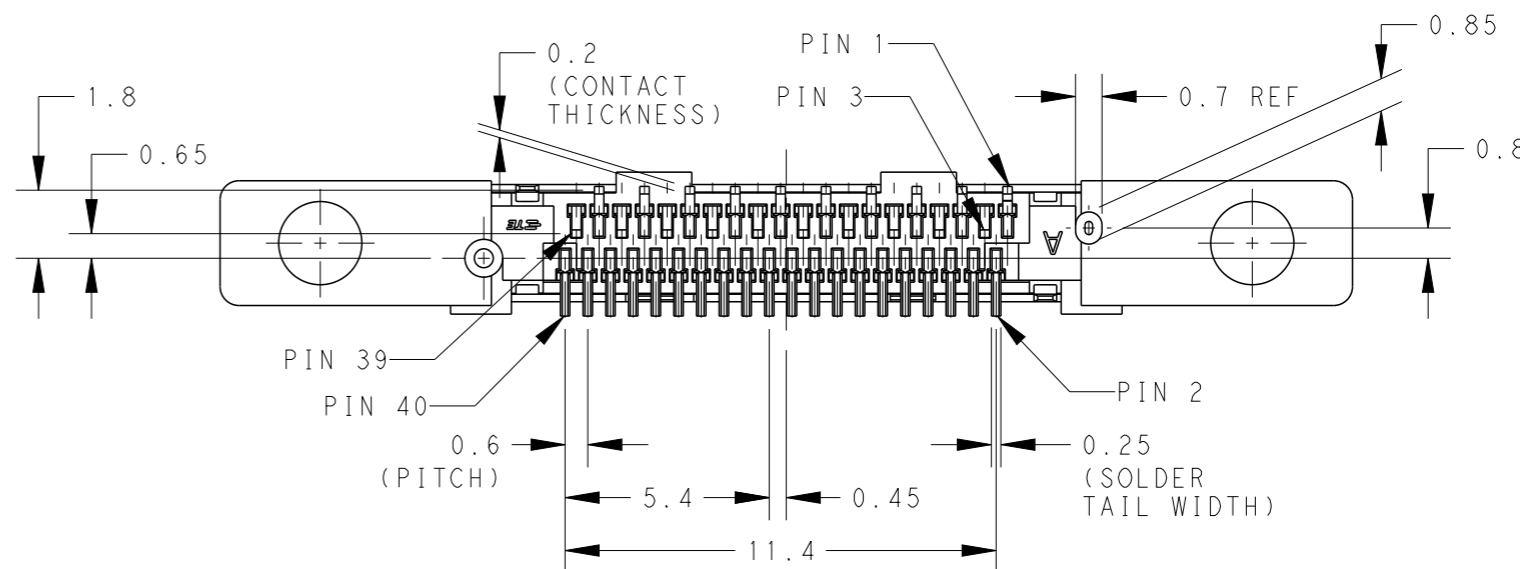
REVISIONS

P	LTR	DESCRIPTION	DATE	DWN	APVD
-	-	SEE SHEET 1	-	-	-

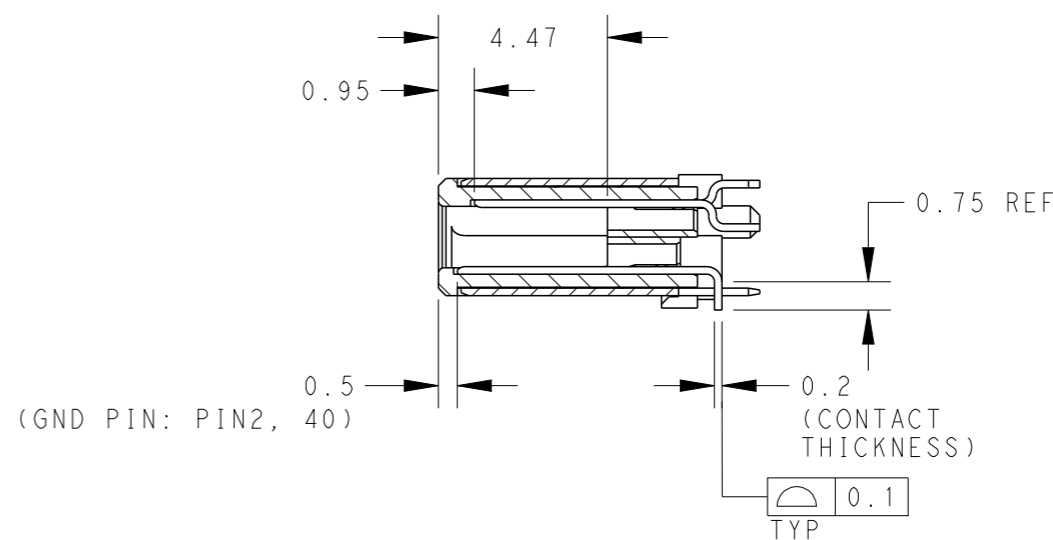
2129367-1; AS SHOWN



VIEW B



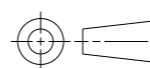
VIEW C



SECTION A-A

THIS DRAWING IS A CONTROLLED DOCUMENT.

DIMENSIONS:
mm



TOLERANCES UNLESS OTHERWISE SPECIFIED:

0 PLC	±	
1 PLC	±	±0.25
2 PLC	±	±3°
3 PLC	±	
4 PLC	±	
ANGLES	±	
FINISH	-	

MATERIAL

DWN	-
CHK	-
APVD	-
PRODUCT SPEC	-
APPLICATION SPEC	-
WEIGHT	-



TE Connectivity

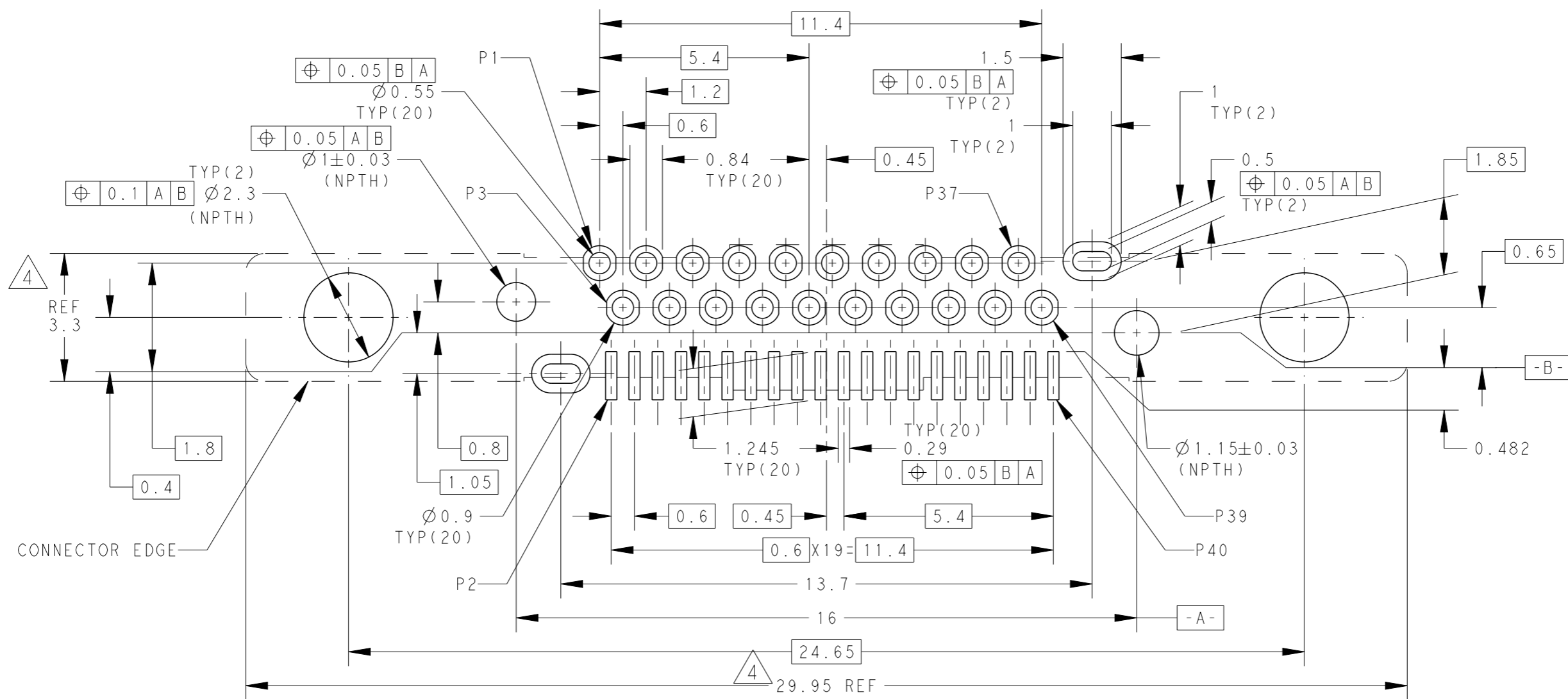
NAME
PLUG ASSY, 0.6mm PITCH
CHAMP DOCKING CONNECTOR, 40POS

SIZE	CAGE CODE	DRAWING NO	RESTRICTED TO
A3	00779	C-2129367	-

CUSTOMER DRAWING


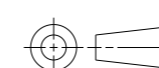
SCALE 5:1 SHEET 3 OF 5 REV A

P	LTR	DESCRIPTION	DATE	DWN	APVD
-	-	SEE SHEET 1	-	-	-



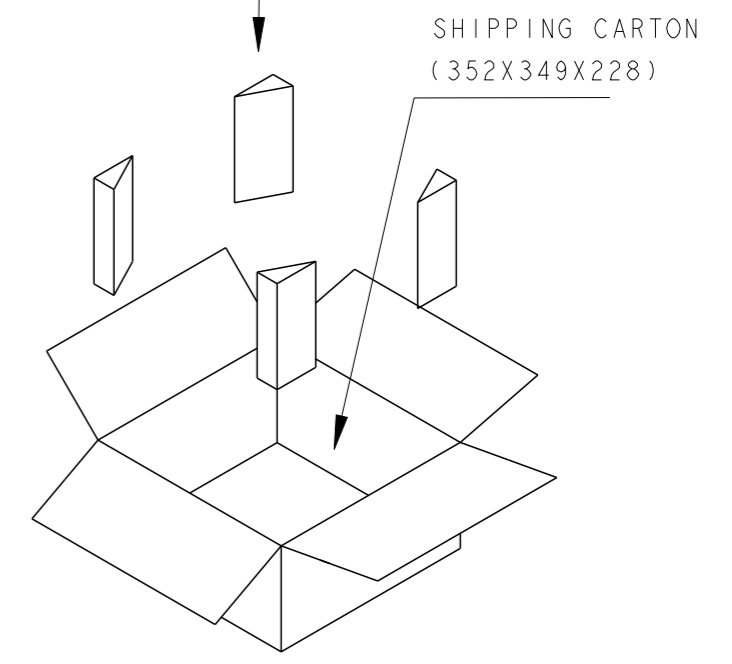
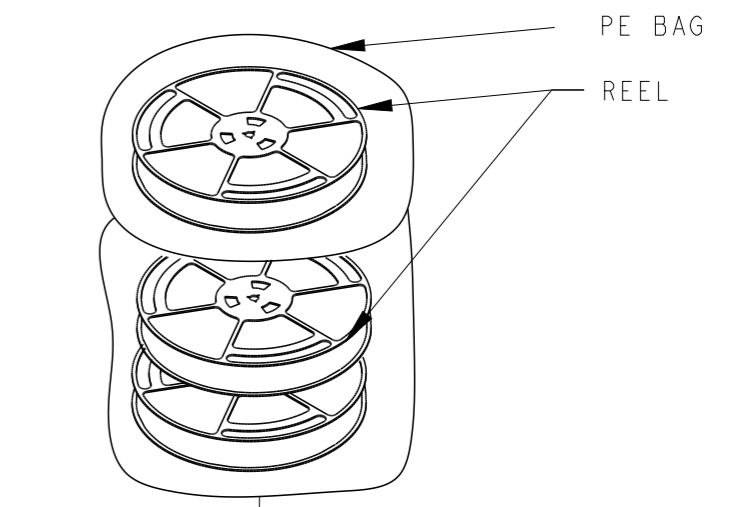
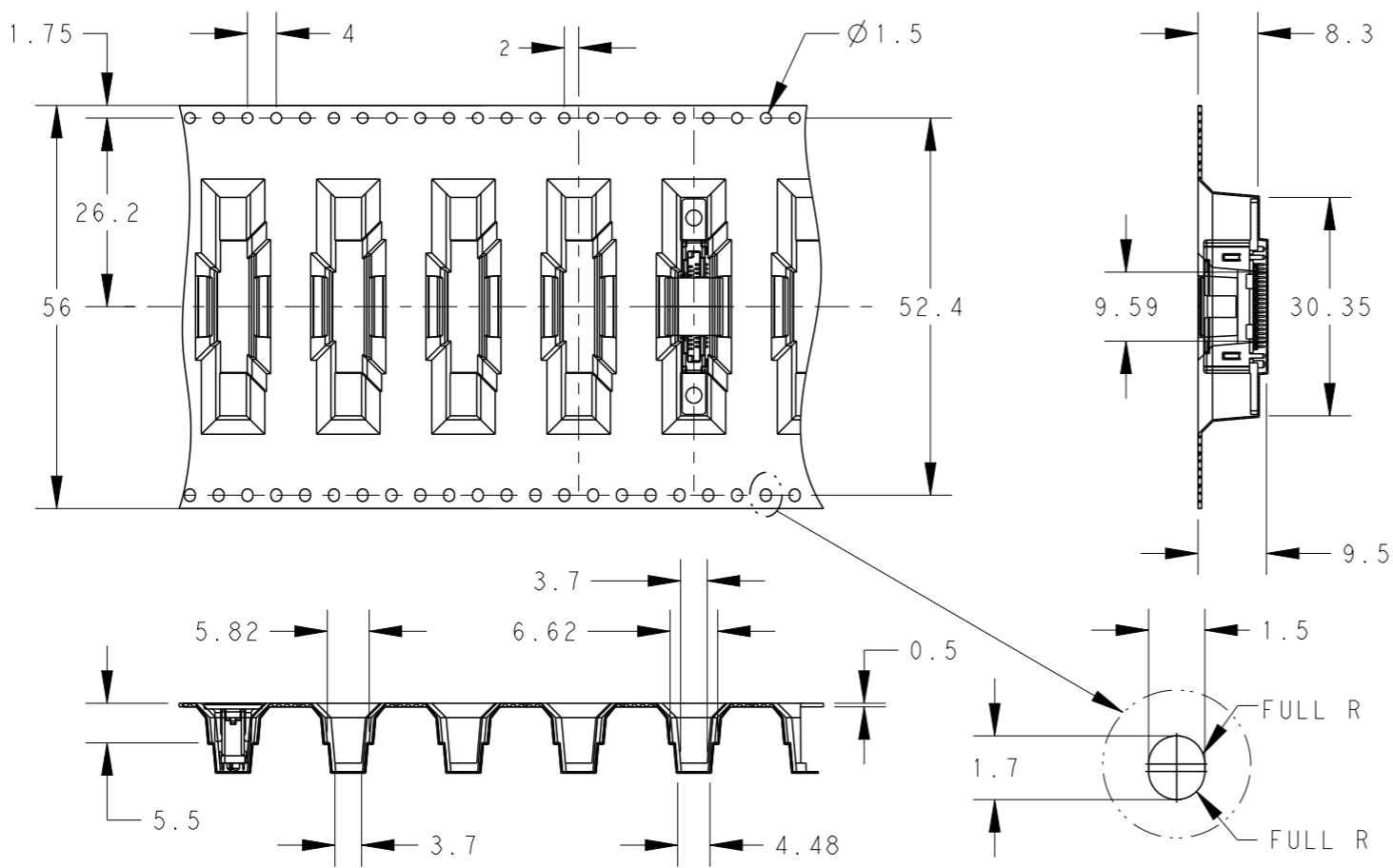
RECOMMENDED P.C. BOARD LAYOUT (TOP VIEW)

△ CONNECTOR OUTLINE

THIS DRAWING IS A CONTROLLED DOCUMENT.		DWN	-	 TE Connectivity
DIMENSIONS: mm		CHK	-	
		APVD	-	
TOLERANCES UNLESS OTHERWISE SPECIFIED:		PRODUCT SPEC	-	
0 PLC ± ±0.05 1 PLC ± ±0.05 2 PLC ± ±3° 3 PLC ± ±3° 4 PLC ± ±3° ANGLES ± ± FINISH -		APPLICATION SPEC	-	NAME
MATERIAL -		WEIGHT	-	PLUG ASSY, 0.6mm PITCH CHAMP DOCKING CONNECTOR, 40POS
		CUSTOMER DRAWING	-	SIZE
			-	A300779
			-	CAGE CODE
			-	G-2129367
			-	DRAWING NO
			-	RESTRICTED TO
			-	-
			-	SCALE
			-	8:1
			-	SHEET
			-	4 OF 5
			-	REV
			-	A

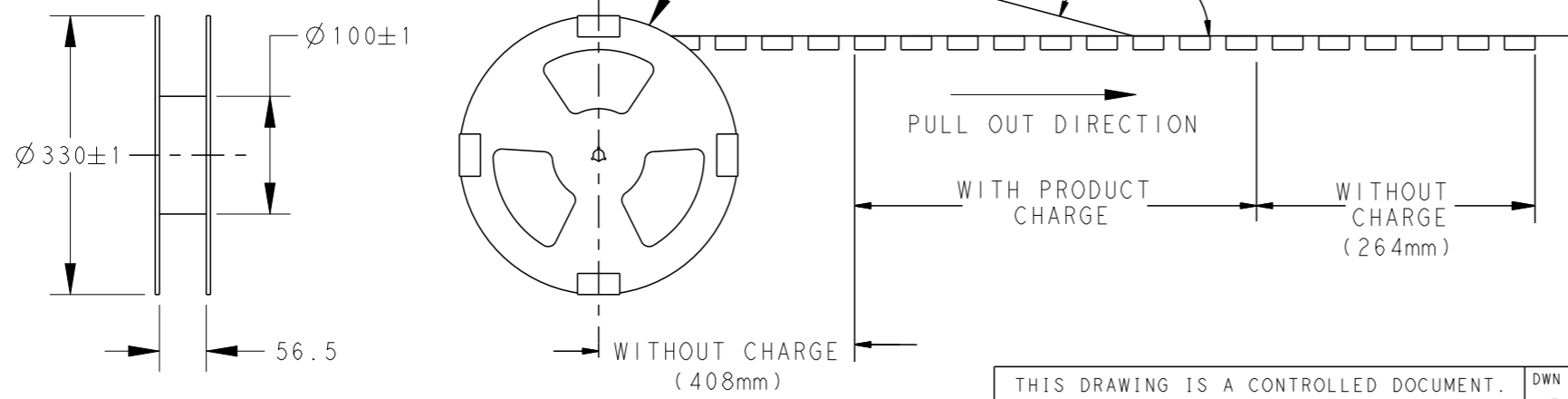
THIS DRAWING IS UNPUBLISHED. RELEASED FOR PUBLICATION 20
 © COPYRIGHT 20 BY - ALL RIGHTS RESERVED.

LOC	DIST	REVISIONS				
P	LTR	DESCRIPTION	DATE	DWN	APVD	
DW		SEE SHEET 1	-	-	-	



5. PACKING MATERIAL:
 CARRY TAPE: PS; COLOR:BLACK.
 COVER TAPE: PET; COLOR: CLEAR.
 6. PEELING STRENGTH OF COVER TAPE: 0.2N~1.2N

AROUND THE OUTER PERIPHERY IN A TURN.
 WEEDING THE COVER TAPE
 PEELING ANGLE: 165°~180°



400	3	1200
PCS/ TAPE	REELS/ CARTON	TOTAL QUANTITY

THIS DRAWING IS A CONTROLLED DOCUMENT.		DWN	-	 TE Connectivity	NAME PLUG ASSY, 0.6mm PITCH CHAMP DOCKING CONNECTOR, 40POS
DIMENSIONS: mm		CHK	-		
TOLERANCES UNLESS OTHERWISE SPECIFIED:		APVD	-		
0 PLC ±- ±0.5 1 PLC ±- ±0.5 2 PLC ±- ±3° 3 PLC ±- ±3° 4 PLC ±- ±- ANGLES ±- ±- FINISH - -		PRODUCT SPEC	-		
MATERIAL		APPLICATION SPEC	-		
		WEIGHT	-	SIZE	A3
		CUSTOMER DRAWING	SCALE	CAGE CODE	00779
			FREE	DRAWING NO	C-2129367
			SHEET	RESTRICTED TO	-
			5	REV	A
			OF		
			5		