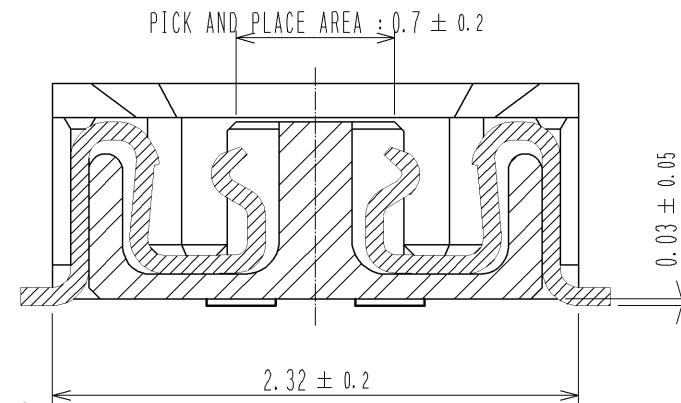
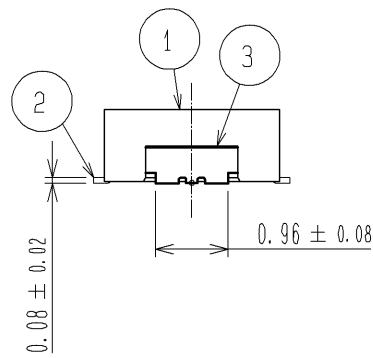
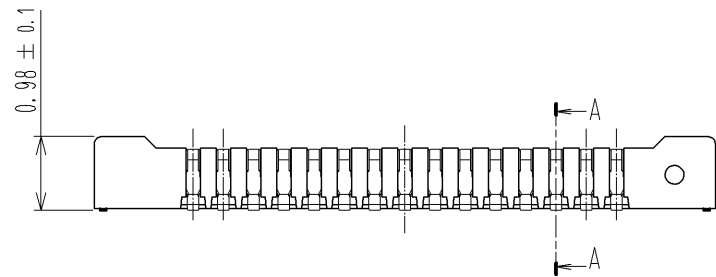
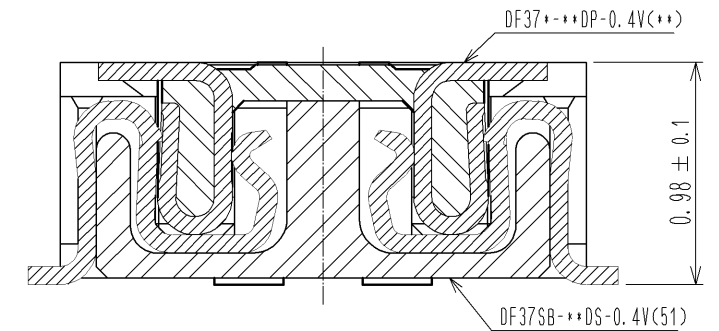


A-A (FREE SIZE)

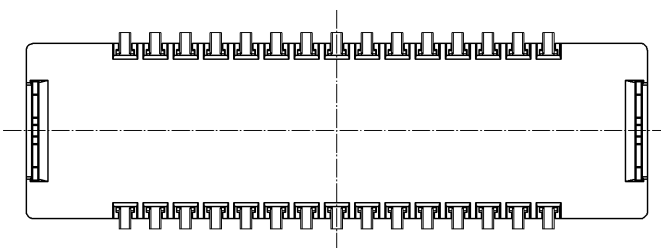


ENGAGEMENT FIGURE (FREE SIZE)



PART No.	CL No.	B	C	D
DF37SB-10DS-0.4V(51)	CL684-3500-2-51	4.22	1.6	0.8
DF37SB-16DS-0.4V(51)	CL684-3501-5-51	5.42	2.8	1.2
DF37SB-20DS-0.4V(51)	CL684-3502-8-51	6.22	3.6	1.6
DF37SB-24DS-0.4V(51)	CL684-3503-0-51	7.02	4.4	2.0
DF37SB-30DS-0.4V(51)	CL684-3504-3-51	8.22	5.6	2.0
DF37SB-34DS-0.4V(51)	CL684-3505-6-51	9.02	6.4	2.4
DF37SB-40DS-0.4V(51)	CL684-3506-9-51	10.22	7.6	2.4
DF37SB-50DS-0.4V(51)	CL684-3507-1-51	12.22	9.6	2.8
DF37SB-60DS-0.4V(51)	CL684-3508-4-51	14.22	11.6	3.2
DF37SB-70DS-0.4V(51)	CL684-3615-4-51	16.22	13.6	3.6
DF37SB-74DS-0.4V(51)	CL684-3616-7-51	17.02	14.4	4.0

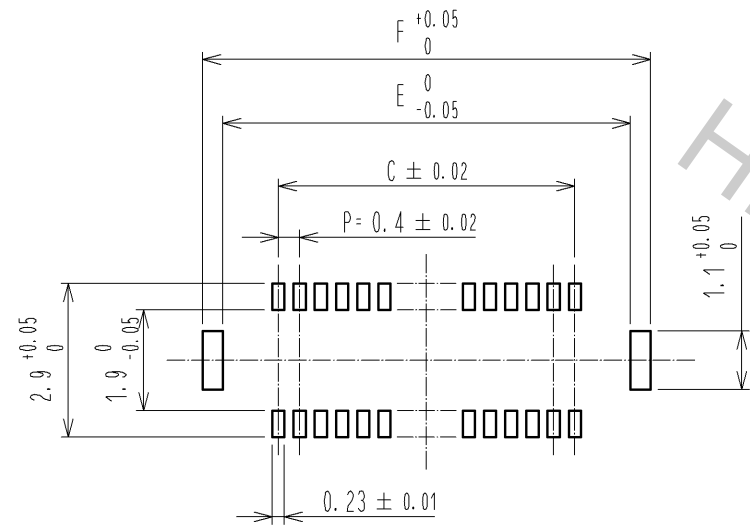
NOTE 1. ALL LEADS CO-PLANARITY SHALL BE 0.1mm MAX.
 ② CONTACT PLATING SPECIFICATIONS.
 CONTACT AREA : GOLD 0.05 μm MIN.
 SMT LEAD : GOLD 0.05 μm MIN.
 UNDERPLATING : NICKEL 1 μm MIN.
 (SURFACE : SEALING)
 ③ METAL HOLD DOWN PLATING SPECIFICATIONS.
 MOUNTING AREA: GOLD 0.05 μm MIN.
 UNDERPLATING : NICKEL 1 μm MIN.



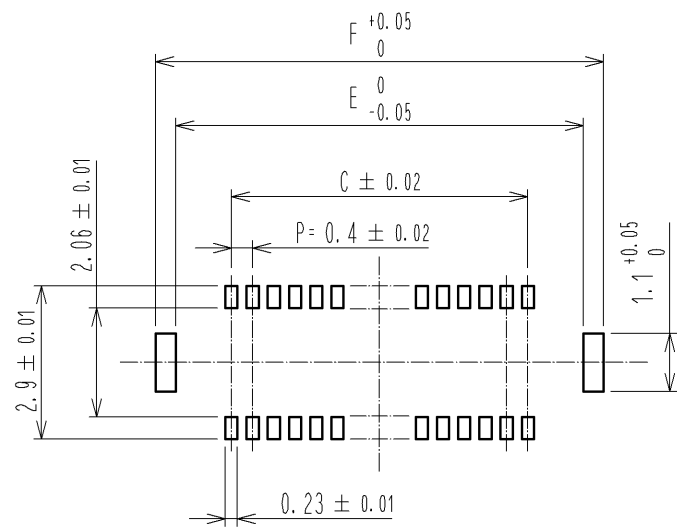
3	PHOSPHOR BRONZE	③	7	PS	CLEAR(REINFORCEMENT COLLAR)
2	PHOSPHOR BRONZE	②	6	PS	PLASTIC REEL (BLACK)
1	LCP	UL94V-0, BLACK	5	POLYESTER	CLEAR(COVER TAPE)
部番	材 質	处 理 , 備 考	部番	材 質	处 理 , 備 考
4	PS		4	PS	CLEAR(EMBOSSED CARRIER TAPE)

UNITS	SCALE	訂正記事	設計	検 査	年月日
mm	10 : 1	△の数 6 DIS-H-007655	NT. SEKI	TS. MIYAZAKI	13. 02. 19
承認 : KH. IKEDA 10. 02. 08		図番 : EDC3-329590-01			
検 査 : TS. MIYAZAKI 10. 02. 08		製品名 : DF37SB-*DS-0.4V(51)			
設 計 : RT. SHIMIZU 10. 02. 08		製品コード : CL684			
製 図 : RT. SHIMIZU 10. 02. 05					

◆ RECOMMENDED PCB LAYOUT
(MOUNTING SURFACE SIDE)



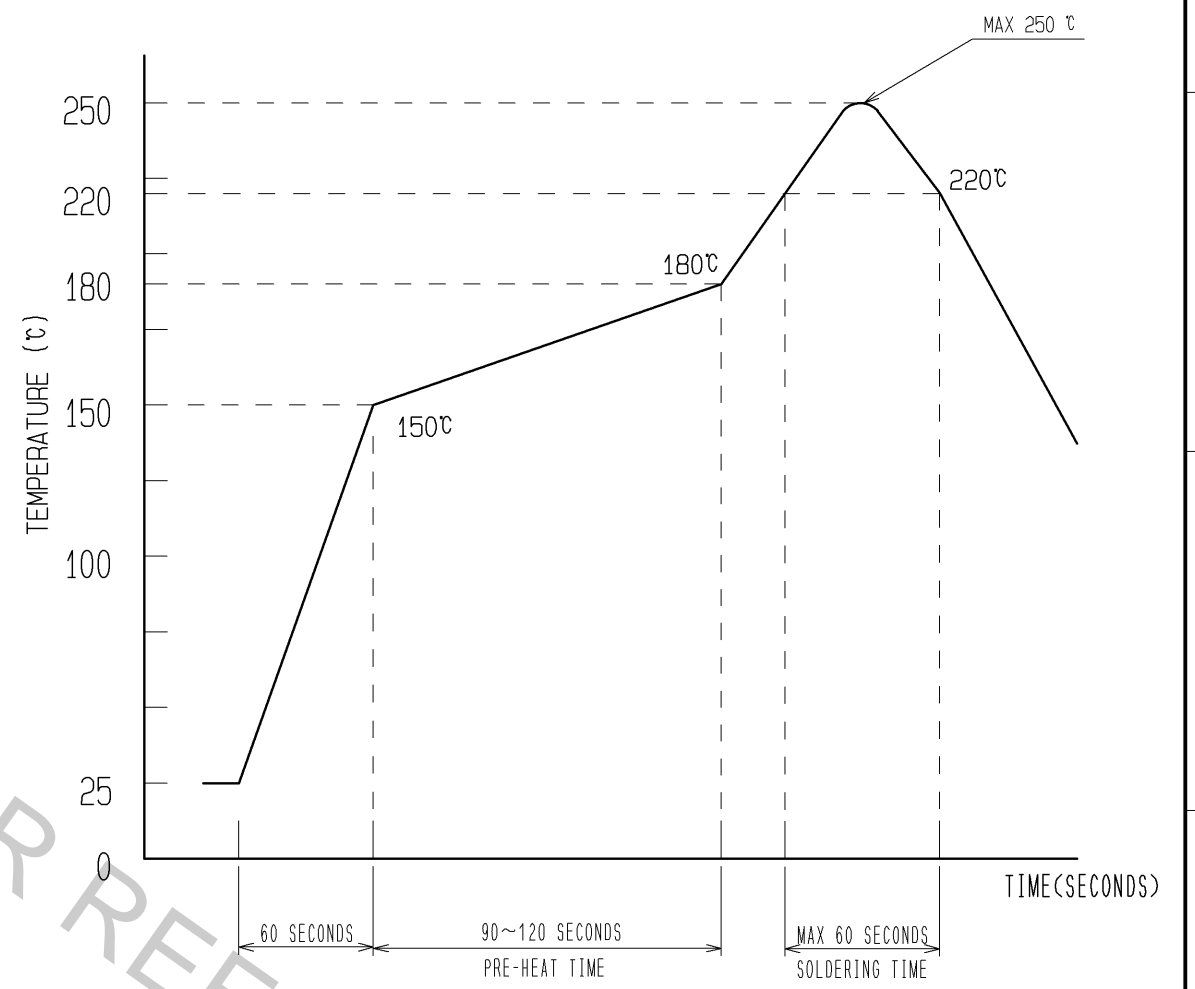
◆ RECOMMENDED METAL MASK DIMENSIONS
METAL MASK THICKNESS : 0.1mm



PART No.	C	E	F
DF37SB-10DS-0.4V(51)	1.6	3.7	4.46
DF37SB-16DS-0.4V(51)	2.8	4.9	5.66
DF37SB-20DS-0.4V(51)	3.6	5.7	6.46
DF37SB-24DS-0.4V(51)	4.4	6.5	7.26
DF37SB-30DS-0.4V(51)	5.6	7.7	8.46
DF37SB-34DS-0.4V(51)	6.4	8.5	9.26
DF37SB-40DS-0.4V(51)	7.6	9.7	10.46
DF37SB-50DS-0.4V(51)	9.6	11.7	12.46
DF37SB-60DS-0.4V(51)	11.6	13.7	14.46
DF37SB-70DS-0.4V(51)	13.6	15.7	16.46
DF37SB-74DS-0.4V(51)	14.4	16.5	17.26



4 RECOMMENDED REFLOW TEMPERATURE PROFILE USING LEAD-FREE SOLDER PASTE.



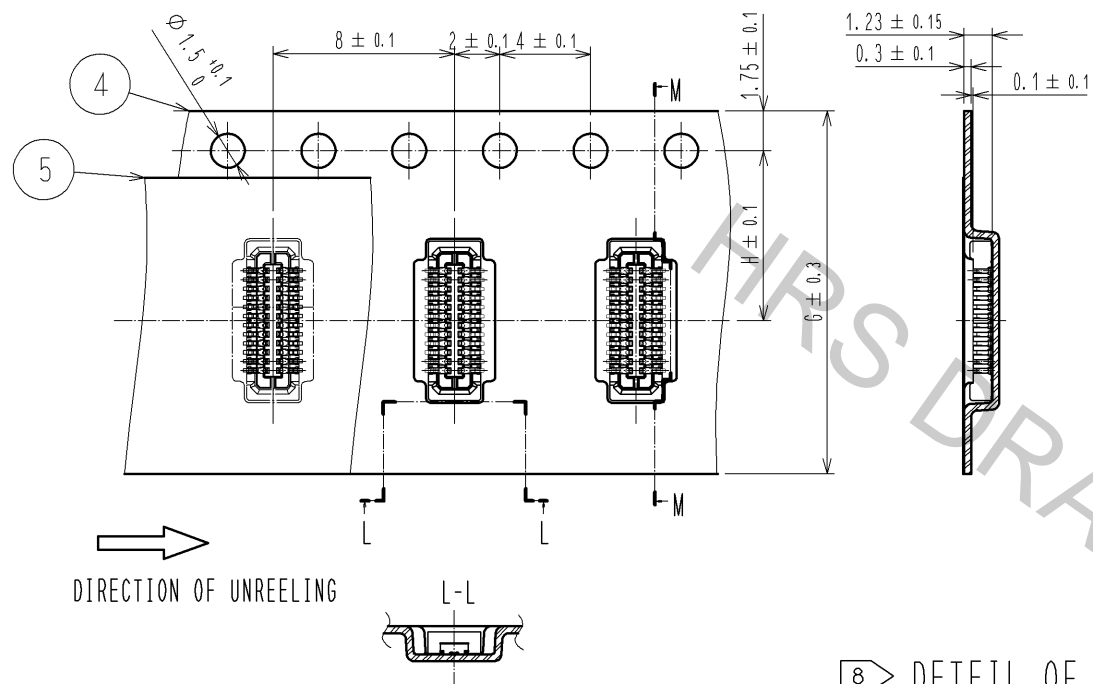
- REFLOW TIME
REFLOW METHOD: IR REFLOW
NUMBER OF REFLOW CYCLES: 2 CYCLES MAX.
DURATION ABOVE 220 °C: 60 SEC. MAX.
(PEAK TEMPERATURE: 250°C MAX.)
- PRE-HEAT TIME
PRE-HEAT TEMPERATURE(MIN) : 150 °C
PRE-HEAT TEMPERATURE(MAX) : 180 °C
PRE-HEAT TIME : 90~120 sec.

4 ADDITIONAL FACTORS, SUCH AS SOLDER PASTE TYPE, PCB SIZE AND OTHER MOUNTED COMPONENTS COULD AFFECT THE PROFILE. THEREFORE, A THOROUGH EVALUATION OF MOUNTING CONDITION IS REQUIRED PRIOR TO PRODUCTION. TEMPERATURE IS MEASURED AT CONTACT LEAD.

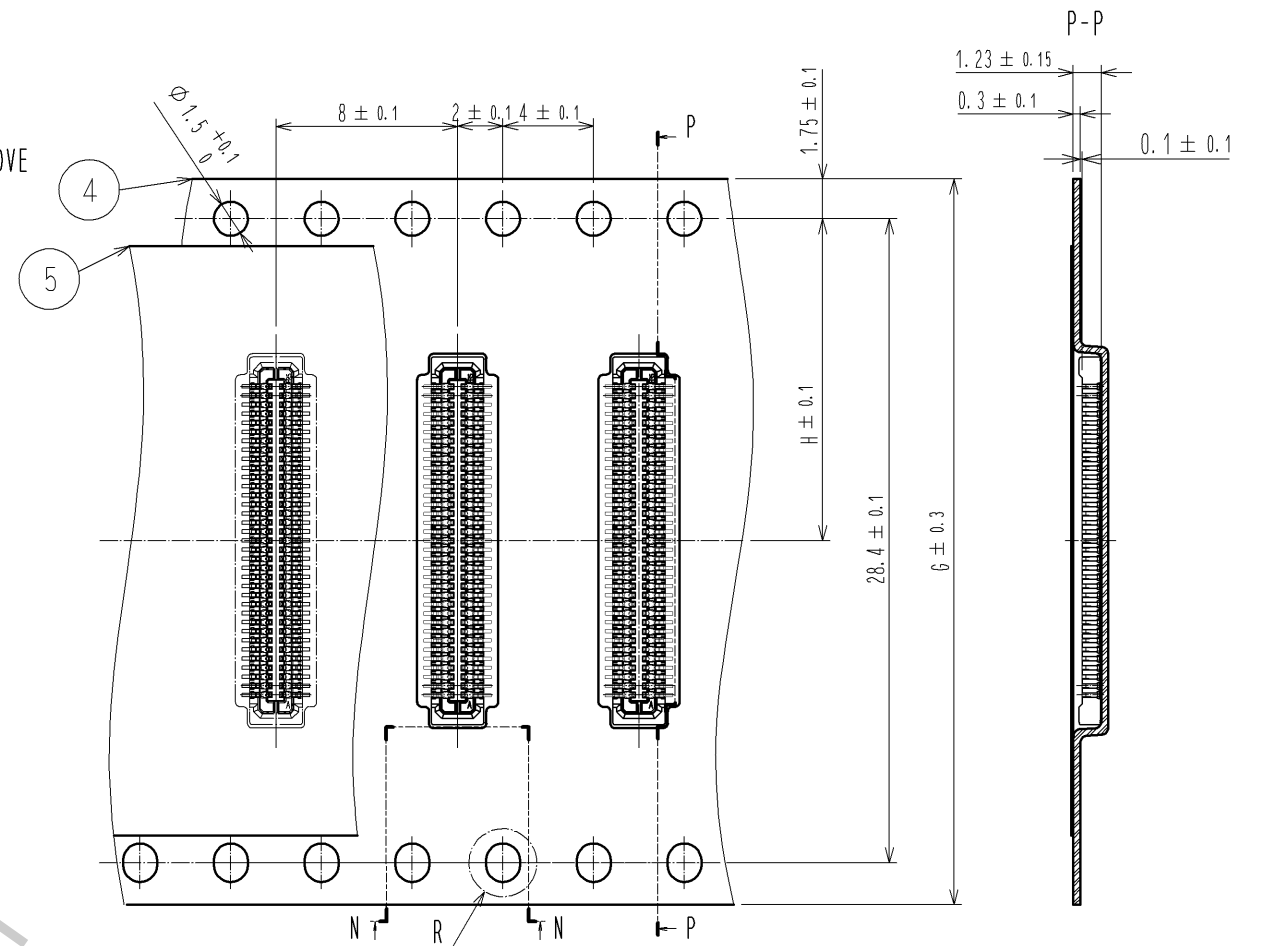
HRS	DRAWING NO.	EDC3-329590-01
	PART NO.	DF37SB-*DS-0.4V(51)
	CODE NO.	CL684

EMBOSED CARRIER TAPE PACKAGING (FREE SIZE)

◆ UNDER 60 POS.

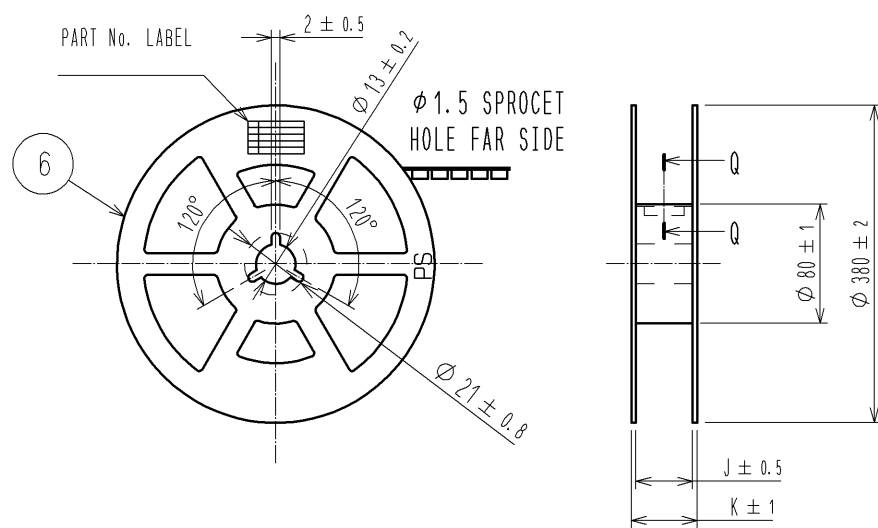


◆ 70 POS. AND ABOVE

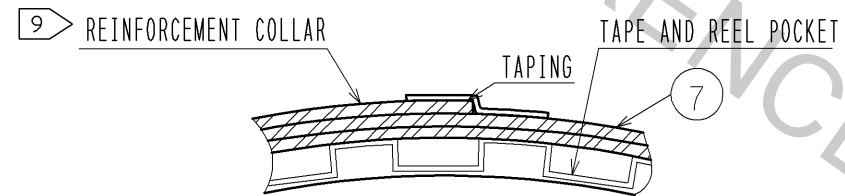
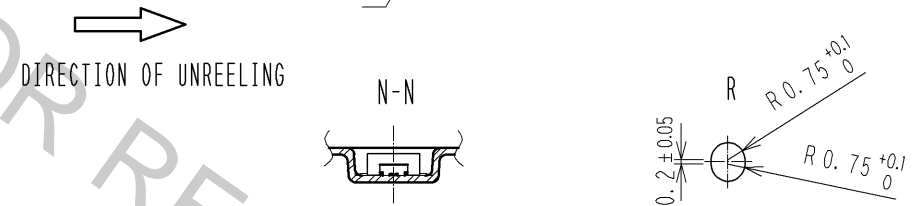


8 DETAIL OF PART No. LABEL

STYLE AND DIMENSION OF REEL (FREE SIZE)

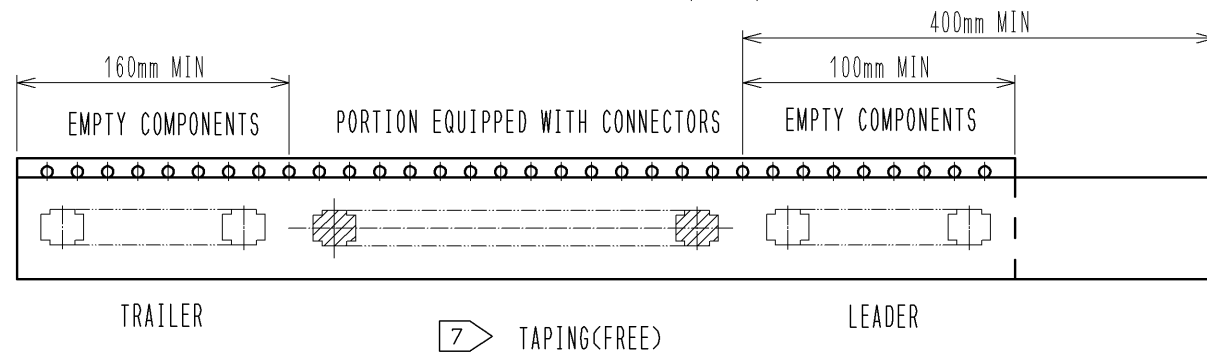


SUPPLIER	HIROSE ELECTRIC CO., LTD.
QUANTITY	8000個
PART NO.	DF37SB-**DS-0.4V(51)
CODE NO.	** ** *
DATE OF MANUFACTURED	年月日
製造年月日	年月日
製品コード	** ** *
製品名	DF37SB-**DS-0.4V(51)
数量	8000個
納入者	ヒロセ電機(株)



PART No.	G	H	J	K
DF37SB-10DS-0.4V(51)	16	7.5	17.5	21.5
DF37SB-16DS-0.4V(51)	16	7.5	17.5	21.5
DF37SB-20DS-0.4V(51)	16	7.5	17.5	21.5
DF37SB-24DS-0.4V(51)	16	7.5	17.5	21.5
DF37SB-30DS-0.4V(51)	24	11.5	25.5	29.5
DF37SB-34DS-0.4V(51)	24	11.5	25.5	29.5
DF37SB-40DS-0.4V(51)	24	11.5	25.5	29.5
DF37SB-50DS-0.4V(51)	24	11.5	25.5	29.5
DF37SB-60DS-0.4V(51)	24	11.5	25.5	29.5
DF37SB-70DS-0.4V(51)	32	14.2	37.5	33.5
DF37SB-74DS-0.4V(51)	32	14.2	37.5	33.5

- NOTES
- PER REEL 8000 CONNECTORS.
 - THE DIMENSIONS IN PARENTHESES ARE FOR REFERENCE.
 - REFER TO JIS C 0806(IEC 60286-3)
(PACKING OF COMPONENTS FOR AUTOMATIC HANDLING)
 - DETAIL OF PART No. LABEL IS WRITTEN IN JAPANESE.
 - AFTER PACKAGING, ROLL 2 METERS OF THE REINFORCEMENT COLLAR TO OUTER CIRCUMFERENCE OF TAPE AND REEL POCKET, AND TAPE DOWN AT THE END THE COLLAR.



HRS	DRAWING NO.	EDC3-329590-01
	PART NO.	DF37SB- * DS-0.4V(51)
	CODE NO.	CL684