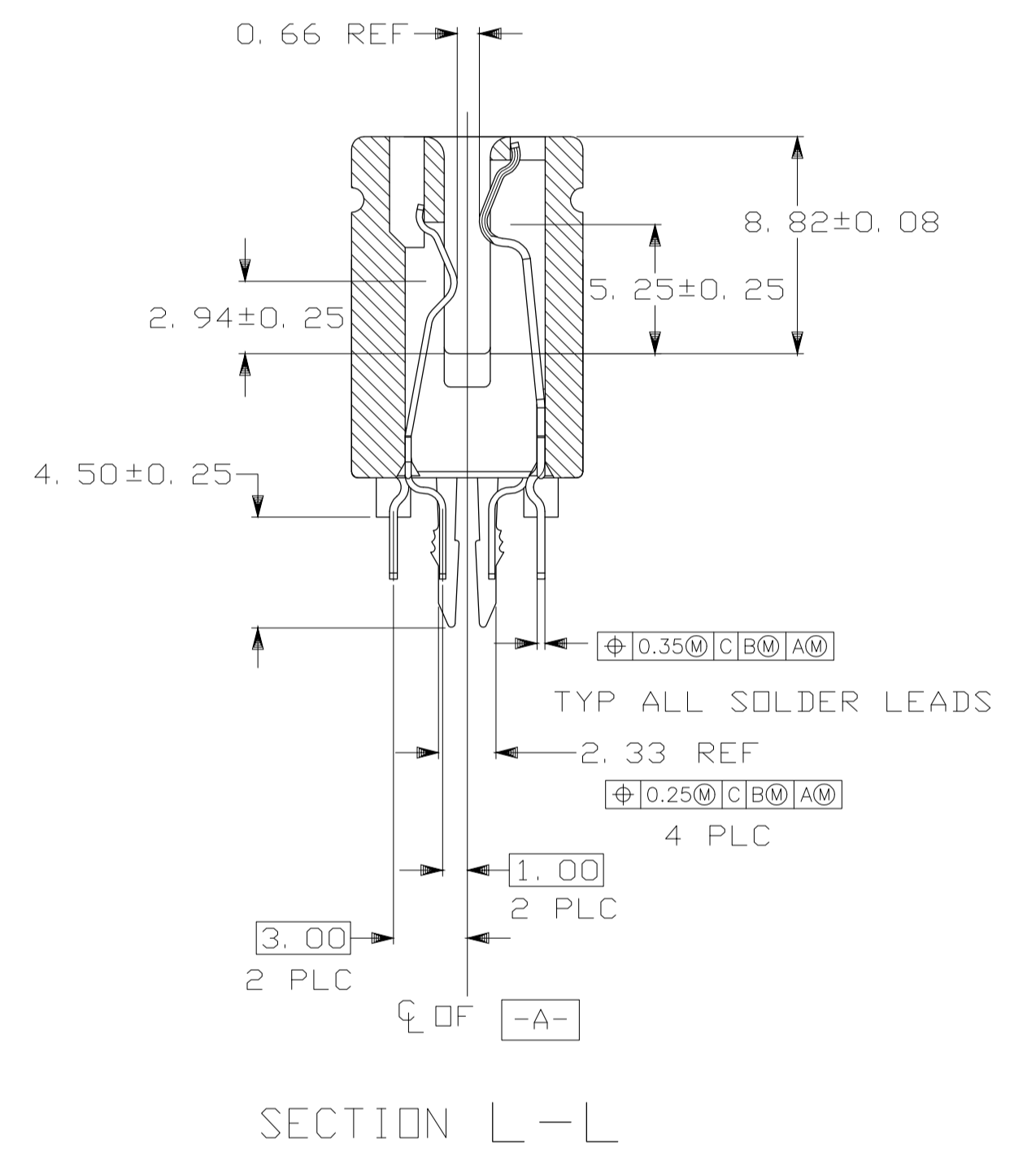
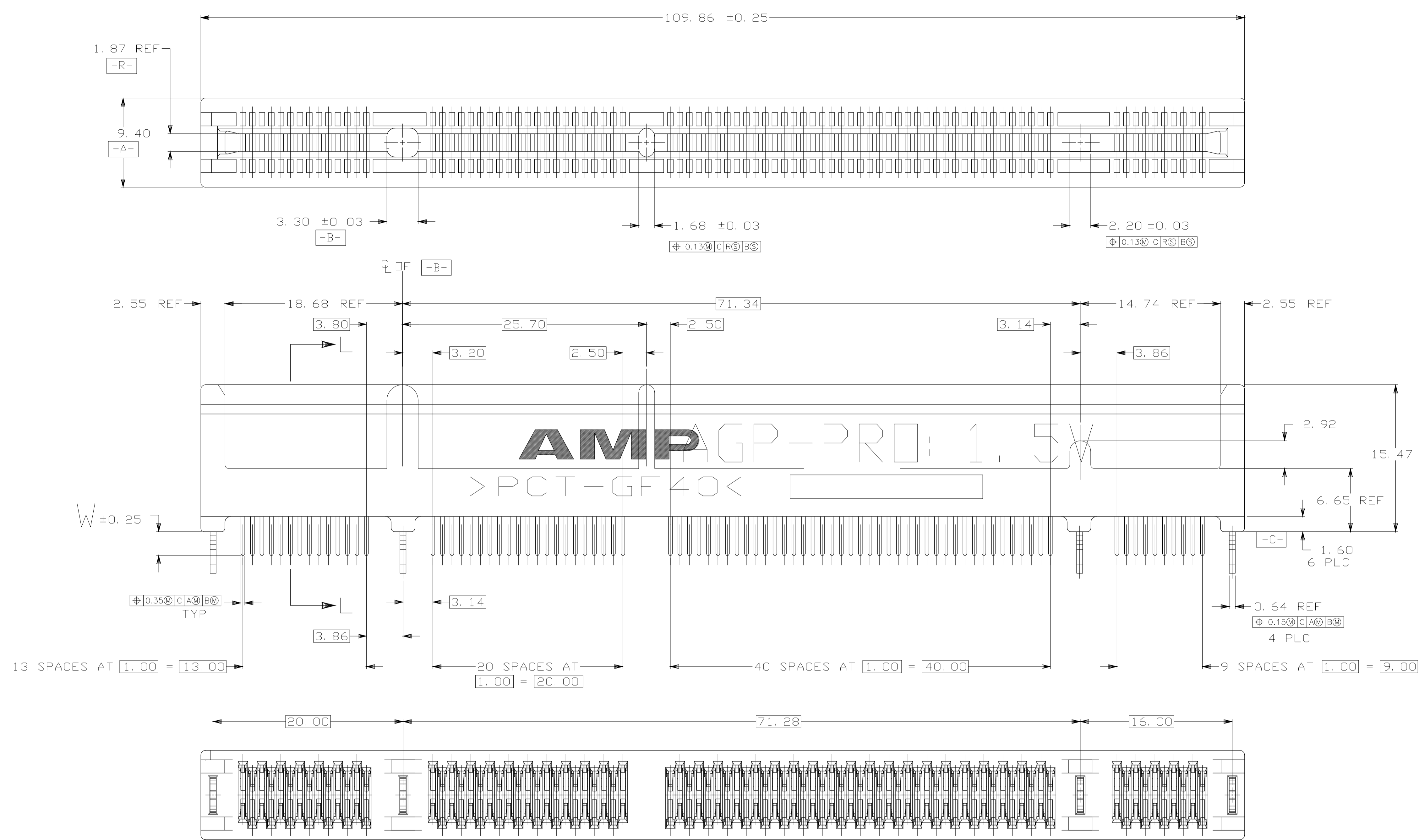


LOC		DIST		REVISIONS			
P	LTR	DESCRIPTION	DATE	DMN	APVD		
0		RELEASED ECR-05-003216	07MAR05	G.Z.	I.E.		
01		REVISED PER ECO-09-024927	21JAN10	KK	HMR		



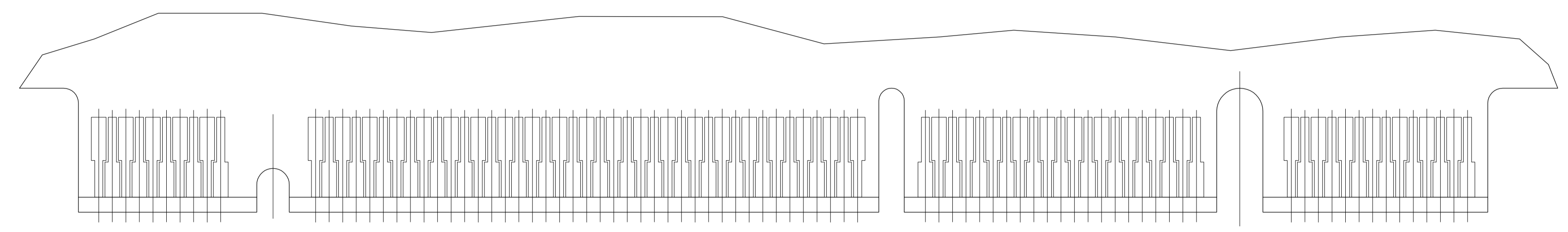
- △ MATERIAL: HOUSING, THERMOPLASTIC, COLOR: BROWN.
CONTACTS, PHOSPHOR BRONZE.
FASTENERS, BRASS.
- △ FINISH: CONTACTS, 1.27 MIN. MICROMETERS NICKEL ALL OVER,
0.38 MIN. MICROMETERS GOLD OVER NICKEL IN CONTACT AREA,
2.54 MIN MICROMETERS TIN OVER NICKEL ON SOLDER LEADS.
FASTENERS, 1.27 MIN. MICROMETERS NICKEL ALL OVER,
3.81 MIN MICROMETERS BRIGHT TIN OVER NICKEL.
- △ FINISH: CONTACTS, 1.27 MIN. MICROMETERS NICKEL ALL OVER,
0.0254-0.0762 MICROMETERS GOLD OVER NICKEL IN CONTACT AREA.
2.54 MIN. MICROMETERS TIN OVER NICKEL ON SOLDER TAILS.
- △ OBSOLETE PARTS: OBSOLETE CIS STREAMLINING PER D. RENAUD/D. SINISI

△ OBSOLETE	△	3.18	5145410-6
△ OBSOLETE	△	2.54	5145410-5
△ OBSOLETE	△	2.54	5145410-2
△ OBSOLETE	△	2.16	5145410-1
		PLATING	W
		PART NO	

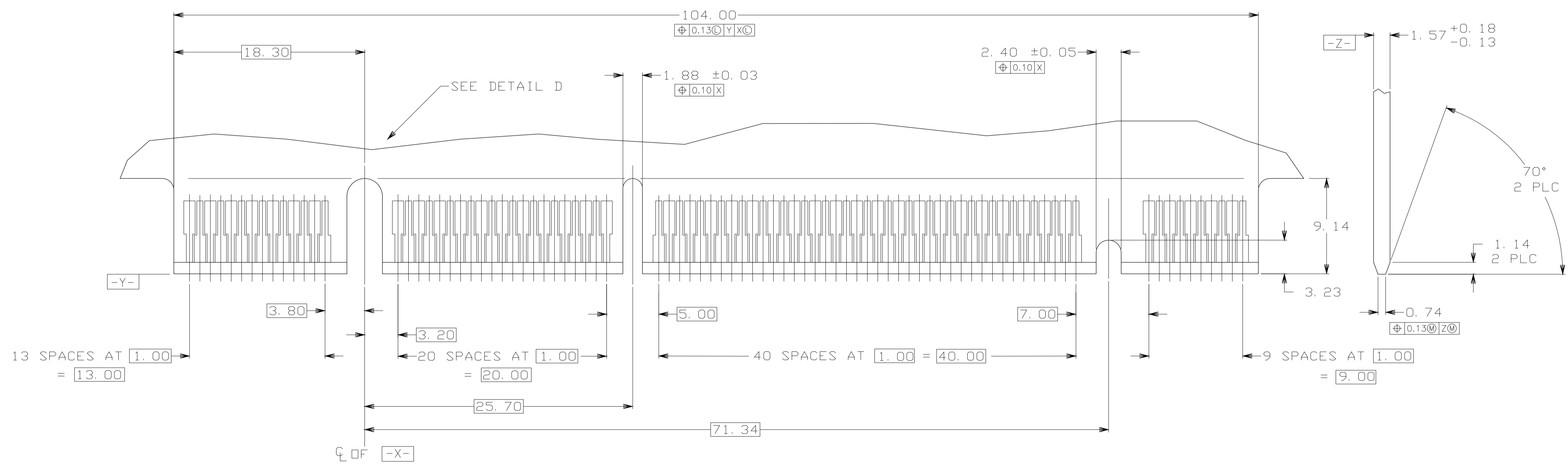
THIS DRAWING IS A CONTROLLED DOCUMENT.

DIMENSIONS: mm	TOLERANCES UNLESS OTHERWISE SPECIFIED:	DIN Gavin Zhang 07MAR05	Tyco Electronics Corporation
0 PLC ± -	1 PLC ± -	DMN Steven Yao 07MAR05	Shanghai, P.R.China, 200233
2 PLC ± 0.13	3 PLC ± -	APVD J Enomoto 07MAR05	NAME
4 PLC ± -	ANGLES ± °	PRODUCT SPEC	CONNECTOR ASSEMBLY, STANDARD EDGE, 1mm, AGP-PRO:1.5W, 172 POSITION
MATERIAL △	FINISH △	APPLICATION SPEC	SIZE CAGE CODE DRAWING NO
		RESTRICTED TO	A1 00779 C=5145410
		WEIGHT	CUSTOMER DRAWING
		SCALE 1:1	SHEET 1 OF 2
		REV 01	

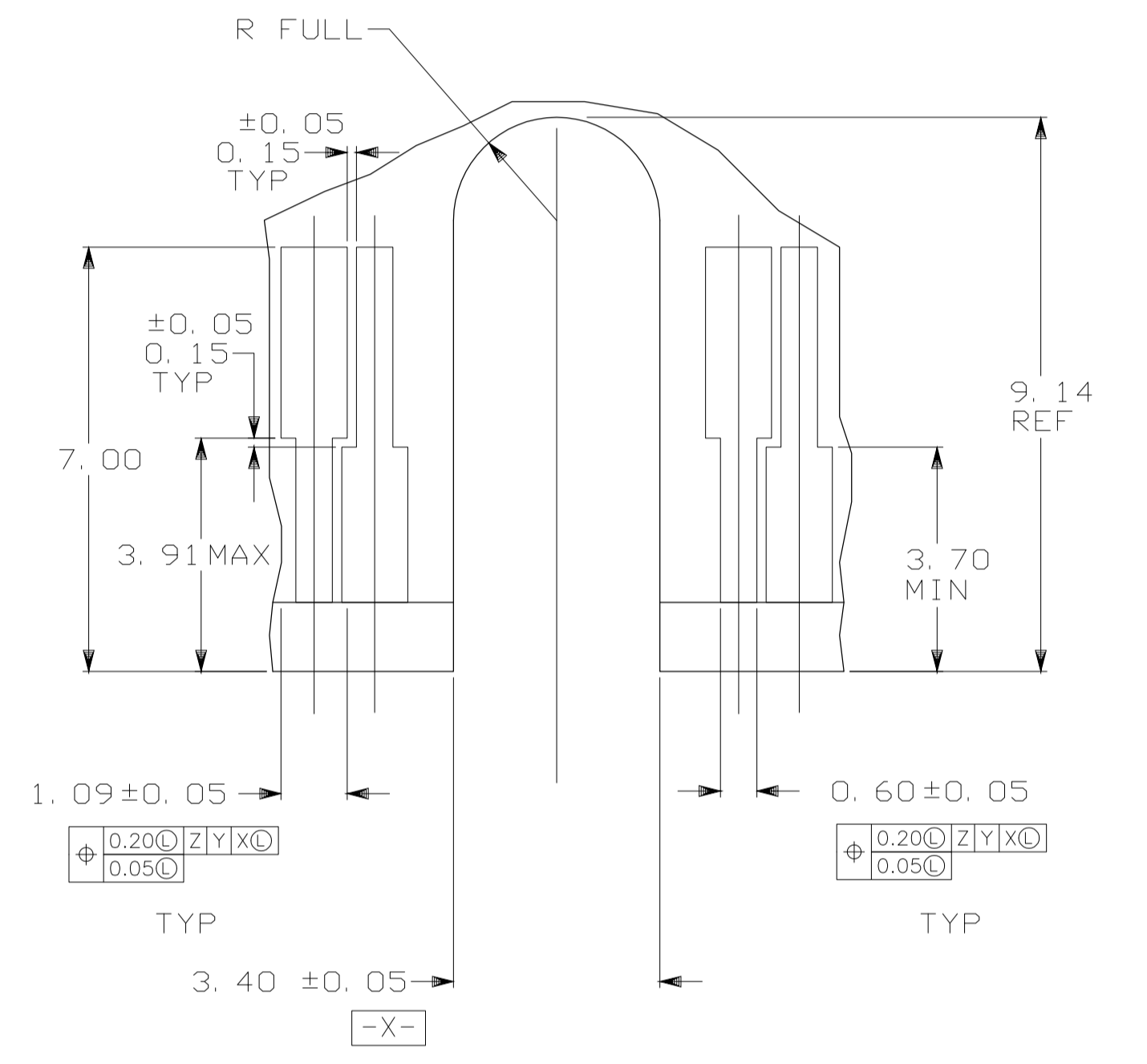
LOC		DIST		REVISIONS			
P	LTR	DESCRIPTION	DATE	DN	APVD		
-	-	SEE SHEET 1/2	-	-	-	-	-



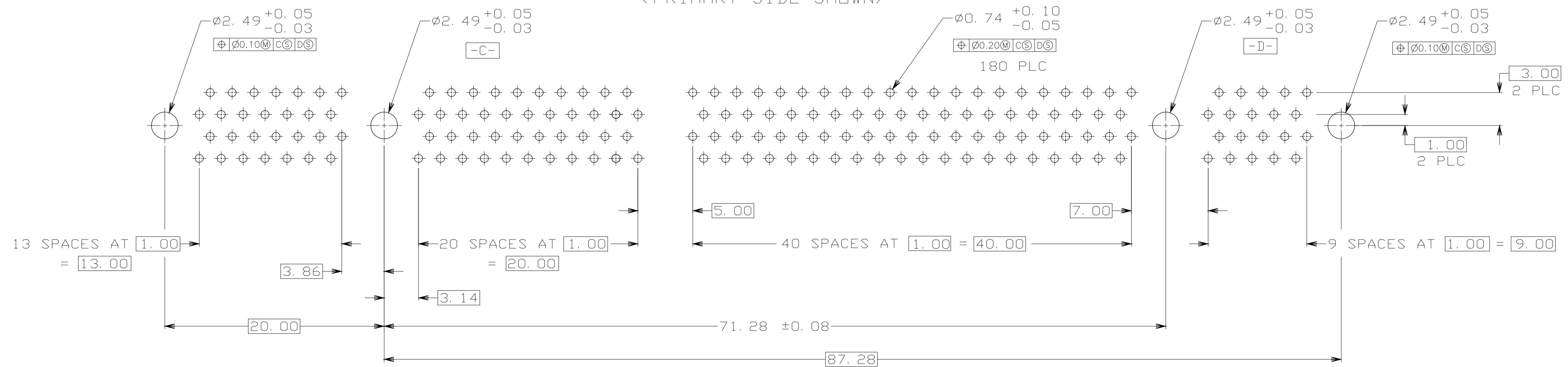
RECOMMENDED CONNECTOR MATING PAD PATTERN
 (SECONDARY SIDE SHOWN)



RECOMMENDED CONNECTOR MATING PAD PATTERN
 (PRIMARY SIDE SHOWN)



DETAIL D
 SCALE 10:1



RECOMMENDED CONNECTOR MOUNTING HOLE PATTERN
 (CONNECTOR SIDE SHOWN)

THIS DRAWING IS A CONTROLLED DOCUMENT.		DIN Gavin Zhang 24MAR05		Tyco Electronics Corporation	
DIMENSIONS: mm		CHK Steven Yao 24MAR05		Shanghai, P.R.China, 200233	
TOLERANCES UNLESS OTHERWISE SPECIFIED:		APVD J Enomoto 24MAR05		NAME	
0 PLC ± -		PRODUCT SPEC		CONNECTOR ASSEMBLY, STANDARD EDGE, 1mm, AGP-PRO:1.5V, 180 POSITION	
1 PLC ± -		APPLICATION SPEC		SIZE CAGE CODE DRAWING NO	
2 PLC ± 0.13		WEIGHT		A1 00779 C=5145410	
3 PLC ± -		CUSTOMER DRAWING		SCALE 4:1 SHEET 2 OF 2 REV 01	
4 PLC ± -		RESTRICTED TO			
ANGLES ± °					
MATERIAL					
FINISH					