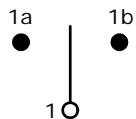


RECOMMENDED PANEL MOUNTING

PANEL THICKNESS	X
0.75-1.25	19.2 - 19.3
1.25-2.00	19.3 - 19.4
2.00-3.00	19.5 - 19.6

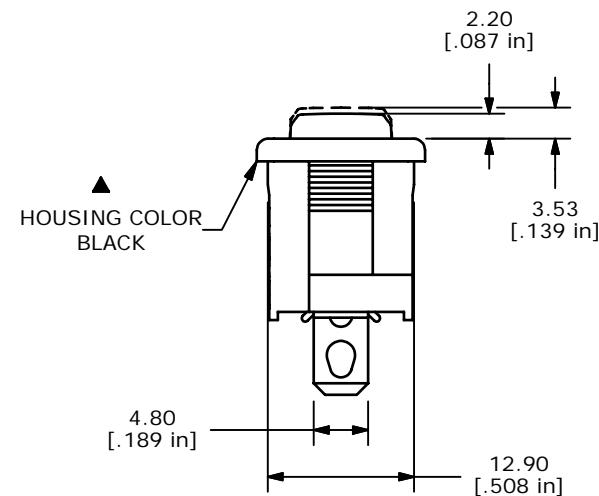
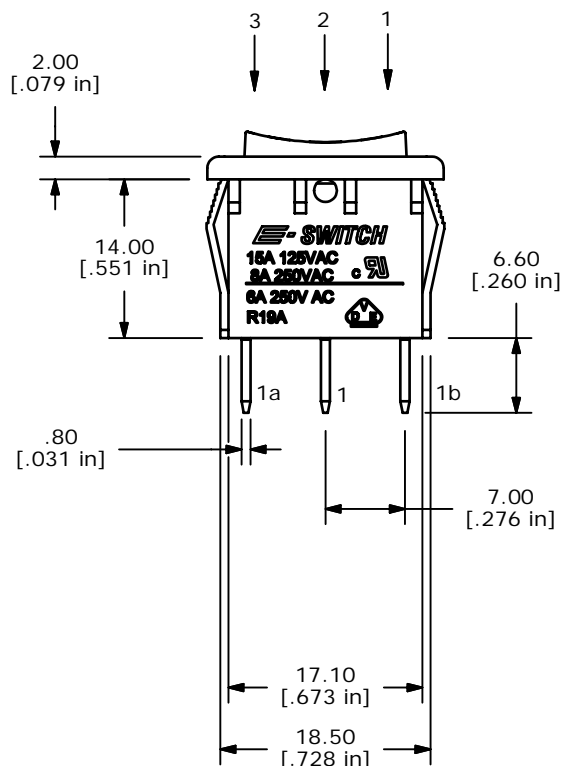
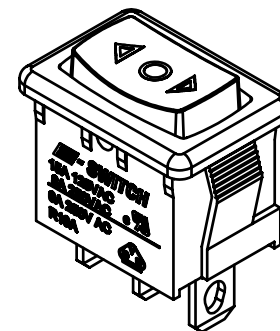
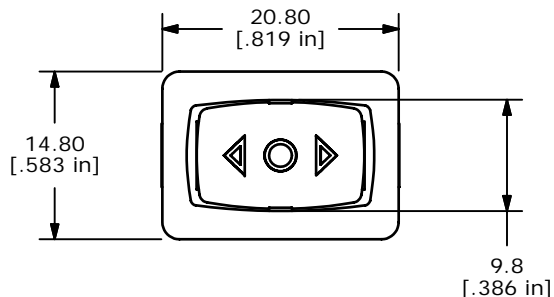
SWITCH FUNCTION		
POS. 1	POS. 2	POS. 3
ON	OFF	ON
1a-1	OPEN	1-1b



CURCUIT: SPDT

NOTES:

1. ALL DIMENSIONS IN MM [INCH]
2. GENERAL TOLERANCE: X.X=±0.4
X.XX=±0.25
3. TERM. NOS. FOR REF. ONLY
4. RATING: 15A @125VAC;
8A @250VAC.
- ▲5. LAMP VOLTAGE: NO LAMP
6. MATERIAL:
CONTACT SURFACE: COIN SILVER, SILVER PLATED.
TERMINAL: COPPER ALLOY W/SILVER PLATE
7. ELECTRICAL LIFE: 10,000 CYCLES
8. CONTACT RESISTANCE: <20 MILLI-OHMS INITIAL
9. DIELECTRIC STRENGTH: >1,500V AC 1 MIN
10. INSULATION RESISTANCE: 1,000 MEGA-OHMS
10. ▲DENOTES CRITICAL PARAMETER.



E-SWITCH®

A	17864	RELEASED FOR PRODUCTION	11/20/07	BLR
REV	PCR NO	DESCRIPTION	DATE	BY

TITLE R1966DBLKBLKHF				
SCALE	DATE	DR	DWG	REV
1.5:1	11/20/2007	BLR	M309306	A

THE INFORMATION CONTAINED IN THIS DOCUMENT IS PROPRIETARY TO E-SWITCH AND IS NOT TO BE COPIED OR TRANSFERRED